



Features

- 1206 size
- Magnetic shielding
- High Q characteristics
- Nickel barrier
- Lead free

Applications

- Prevention of electromagnetic interference to signals on the secondary side of electronic equipment

CS321613 Series - Ferrite Multi-Layer Chip Inductors

Electrical Specifications

| Bourns Part No. | Inductance | | Q | Test Freq. | SRF MHz | | DCR | I rms |
|-----------------|------------|----------|----|------------|----------|------|------|-------|
| | μ H | Tol. % | | | L, Q MHz | min. | | |
| CS321613-47NK | 0.047 | ± 10 | 60 | 50 | 320 | 400 | 150 | 300 |
| CS321613-68NK | 0.068 | ± 10 | 60 | 50 | 280 | 350 | 150 | 300 |
| CS321613-R10K | 0.10 | ± 10 | 50 | 25 | 235 | 300 | 200 | 250 |
| CS321613-R12K | 0.12 | ± 10 | 50 | 25 | 220 | 280 | 200 | 250 |
| CS321613-R15K | 0.15 | ± 10 | 50 | 25 | 200 | 250 | 200 | 250 |
| CS321613-R18K | 0.18 | ± 10 | 50 | 25 | 185 | 230 | 200 | 250 |
| CS321613-R22K | 0.22 | ± 10 | 50 | 25 | 170 | 220 | 250 | 250 |
| CS321613-R27K | 0.27 | ± 10 | 50 | 25 | 150 | 200 | 250 | 250 |
| CS321613-R33K | 0.33 | ± 10 | 50 | 25 | 145 | 180 | 300 | 250 |
| CS321613-R39K | 0.39 | ± 10 | 50 | 25 | 135 | 170 | 300 | 200 |
| CS321613-R47K | 0.47 | ± 10 | 50 | 25 | 125 | 160 | 300 | 200 |
| CS321613-R56K | 0.56 | ± 10 | 50 | 25 | 115 | 150 | 350 | 150 |
| CS321613-R68K | 0.68 | ± 10 | 50 | 25 | 105 | 135 | 350 | 150 |
| CS321613-R82K | 0.82 | ± 10 | 50 | 25 | 100 | 125 | 400 | 150 |
| CS321613-1R0K | 1.0 | ± 10 | 80 | 10 | 75 | 105 | 250 | 100 |
| CS321613-1R2K | 1.2 | ± 10 | 80 | 10 | 65 | 95 | 300 | 100 |
| CS321613-1R5K | 1.5 | ± 10 | 80 | 10 | 60 | 85 | 300 | 50 |
| CS321613-1R8K | 1.8 | ± 10 | 80 | 10 | 55 | 75 | 500 | 50 |
| CS321613-2R2K | 2.2 | ± 10 | 80 | 10 | 50 | 70 | 600 | 50 |
| CS321613-2R7K | 2.7 | ± 10 | 80 | 10 | 45 | 65 | 600 | 50 |
| CS321613-3R3K | 3.3 | ± 10 | 85 | 10 | 40 | 55 | 700 | 50 |
| CS321613-3R9K | 3.9 | ± 10 | 85 | 10 | 38 | 50 | 800 | 50 |
| CS321613-4R7K | 4.7 | ± 10 | 85 | 10 | 35 | 48 | 800 | 50 |
| CS321613-5R6K | 5.6 | ± 10 | 65 | 4 | 32 | 45 | 600 | 25 |
| CS321613-6R8K | 6.8 | ± 10 | 65 | 4 | 29 | 40 | 600 | 25 |
| CS321613-8R2K | 8.2 | ± 10 | 65 | 4 | 26 | 36 | 600 | 25 |
| CS321613-100K | 10.0 | ± 10 | 65 | 2 | 24 | 33 | 700 | 25 |
| CS321613-120K | 12.0 | ± 10 | 65 | 2 | 22 | 30 | 900 | 25 |
| CS321613-150K | 15.0 | ± 10 | 45 | 1 | 19 | 27 | 1100 | 25 |
| CS321613-180K | 18.0 | ± 10 | 45 | 1 | 18 | 25 | 1400 | 25 |
| CS321613-220K | 22.0 | ± 10 | 45 | 1 | 16 | 22 | 1400 | 25 |
| CS321613-270K | 27.0 | ± 10 | 45 | 1 | 14 | 20 | 1500 | 25 |
| CS321613-330K | 33.0 | ± 10 | 45 | 0.4 | 13 | 18 | 1500 | 25 |

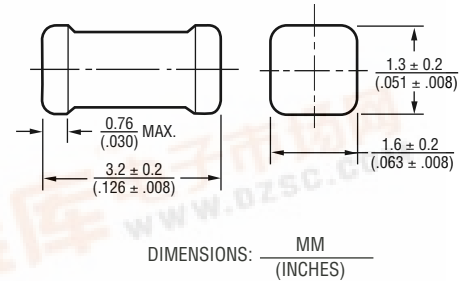
General Specifications

Temperature Rise20 °C max. at rated current
 Operating Temperature-55 °C to +125 °C
 Storage Temperature-55 °C to +125 °C
 Reflow Soldering ...230 °C, 50 sec. max.
 Resistance to Soldering Heat260 °C, 10 seconds

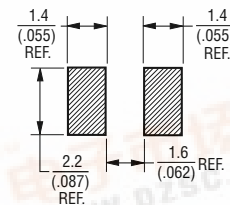
Materials

Base MaterialFerrite
 TerminalAg/Ni/Sn
 Packaging3,000 pcs. per reel

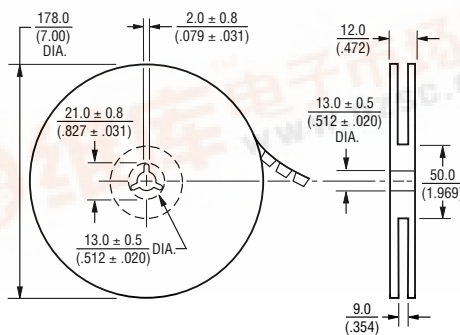
Product Dimensions



Recommended Layout



Packaging Specifications



*RoHS Directive 2002/95/EC Jan 27 2003 including Annex
 Specifications are subject to change without notice.
 Customers should verify actual device performance in their specific applications.



CS321613 Series - Ferrite Multi-Layer Chip Inductors **BOURNS®**

Electrical Specifications

