

MAX803 Series 代理商

NCP803 Series

Very Low Supply Current 3-Pin Microprocessor Reset Monitor

The MAX803/NCP803 is a cost-effective system supervisor circuit designed to monitor V_{CC} in digital systems and provide a reset signal to the host processor when necessary. No external components are required.

The reset output is driven active within 10 μ sec of V_{CC} falling through the reset voltage threshold. Reset is maintained active for a timeout period which is trimmed by the factory after V_{CC} rises above the reset threshold. The MAX803/NCP803 has an open drain active-low RESET output. Both devices are available in SOT-23 and SC-70 packages.

The MAX803/NCP803 is optimized to reject fast transient glitches on the V_{CC} line. Low supply current of 0.5 μ A ($V_{CC} = 3.2$ V) make these devices suitable for battery powered applications.

Features

- Precision V_{CC} Monitor for 1.5 V, 1.8 V, 2.5 V, 3.0 V, 3.3 V, and 5.0 V Supplies
- Precision Monitoring Voltages from 1.2 V to 4.9 V Available in 100 mV Steps
- Four Guaranteed Minimum Power-On Reset Pulse Width Available (1 ms, 20 ms, 100 ms, and 140 ms)
- RESET Output Guaranteed to $V_{CC} = 1.0$ V
- Low Supply Current
- V_{CC} Transient Immunity
- No External Components
- Wide Operating Temperature: -40°C to 105°C
- Pb-Free Packages are Available

Typical Applications

- Computers
- Embedded Systems
- Battery Powered Equipment
- Critical Microprocessor Power Supply Monitoring

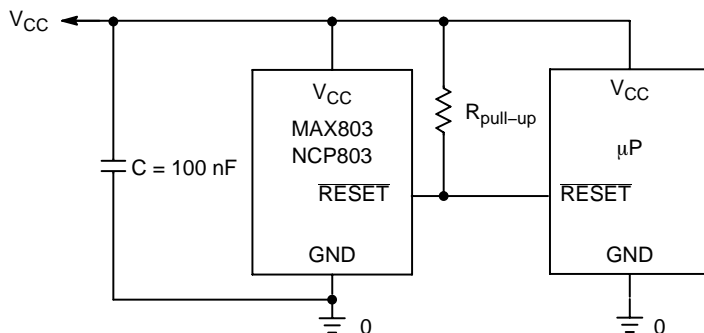


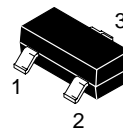
Figure 1. Typical Application Diagram



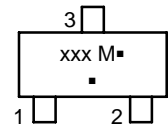
ON Semiconductor®

<http://onsemi.com>

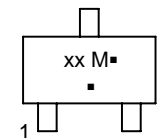
MARKING DIAGRAM



SOT-23
(TO-236)
CASE 318



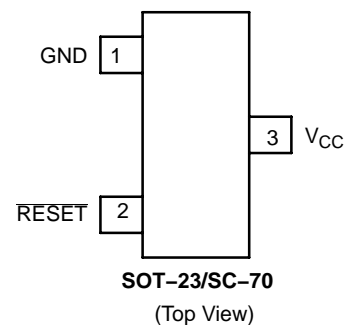
SC-70
(SOT-323)
CASE 419



xxx = Specific Device Code
M = Date Code
▪ = Pb-Free Package

(Note: Microdot may be in either location)

PIN CONFIGURATION



ORDERING INFORMATION

See detailed ordering and shipping information in the package dimensions section on page 7 of this data sheet.

DEVICE MARKING INFORMATION

See general marking information in the device marking section on page 7 of this data sheet.

MAX803 Series, NCP803 Series

[PIN DESCRIPTION](#) [查询MAX8039Q293D3T1G"供应商"](#)

Pin No.	Symbol	Description
1	GND	Ground
2	RESET	RESET output remains low while V _{CC} is below the reset voltage threshold, and for a reset timeout period after V _{CC} rises above reset threshold.
3	V _{CC}	Supply Voltage: C = 100 nF is recommended as a bypass capacitor between V _{CC} and GND.

ABSOLUTE MAXIMUM RATINGS

Rating	Symbol	Value	Unit
Power Supply Voltage (V _{CC} to GND)	V _{CC}	-0.3 to 6.0	V
RESET Output Voltage (CMOS)		-0.3 to (V _{CC} + 0.3)	V
Input Current, V _{CC}		20	mA
Output Current, RESET		20	mA
dV/dt (V _{CC})		100	V/μsec
Thermal Resistance, Junction-to-Air (Note 1)	SOT-23 SC-70 R _{θJA}	301 314	°C/W
Operating Junction Temperature Range	T _J	-40 to +105	°C
Storage Temperature Range	T _{stg}	-65 to +150	°C
Lead Temperature (Soldering, 10 Seconds)	T _{sol}	+260	°C
ESD Protection Human Body Model (HBM): Following Specification JESD22-A114 Machine Model (MM): Following Specification JESD22-A115		2000 200	V
Latchup Current Maximum Rating: Following Specification JESD78 Class II Positive Negative	I _{Latchup}	200 200	mA

Stresses exceeding Maximum Ratings may damage the device. Maximum Ratings are stress ratings only. Functional operation above the Recommended Operating Conditions is not implied. Extended exposure to stresses above the Recommended Operating Conditions may affect device reliability.

1. This based on a 35x35x1.6mm FR4 PCB with 10mm² of 1 oz copper traces under natural convection conditions and a single component characterization.
2. The maximum package power dissipation limit must not be exceeded.

$$P_D = \frac{T_{J(max)} - T_A}{R_{\theta JA}} \quad \text{with } T_{J(max)} = 150^\circ\text{C}$$

MAX803 Series, NCP803 Series

ELECTRICAL CHARACTERISTICS $T_A = -40^{\circ}\text{C}$ to $+105^{\circ}\text{C}$ unless otherwise noted. Typical values are at $T_A = +25^{\circ}\text{C}$. (Note 3)

Characteristic	Symbol	Min	Typ	Max	Unit
V _{CC} Range T _A = 0°C to +70°C T _A = -40°C to +105°C		1.0 1.2	– –	5.5 5.5	V
Supply Current V _{CC} = 3.3 V T _A = -40°C to +85°C T _A = 85°C to +105°C V _{CC} = 5.5 V T _A = -40°C to +85°C T _A = 85°C to +105°C	I _{CC}	– – – –	0.5 – 0.8 –	1.2 2.0 1.8 2.5	μA
Reset Threshold (V _{in} Decreasing) (Note 4) MAX803SQ463/NCP803SN463 T _A = +25°C T _A = -40°C to +85°C T _A = +85°C to +105°C MAX803SQ438/NCP803SN438 T _A = +25°C T _A = -40°C to +85°C T _A = +85°C to +105°C MAX803SQ308/NCP803SN308 T _A = +25°C T _A = -40°C to +85°C T _A = +85°C to +105°C MAX803SQ293/NCP803SN293 T _A = +25°C T _A = -40°C to +85°C T _A = +85°C to +105°C NCP803SN263 T _A = +25°C T _A = -40°C to +85°C T _A = +85°C to +105°C NCP803SN232 T _A = +25°C T _A = -40°C to +85°C T _A = +85°C to +105°C NCP803SN160 T _A = +25°C T _A = -40°C to +85°C T _A = +85°C to +105°C MAX803SN120, MAX803SQ120 T _A = +25°C T _A = -40°C to +85°C T _A = +85°C to +105°C	V _{TH}	4.56 4.51 4.40 4.31 4.27 4.16 3.04 3.00 2.92 2.89 2.85 2.78 2.59 2.55 2.50 2.29 2.26 2.20 1.58 1.56 1.52 1.18 1.17 1.14	4.63 – – 4.38 – – 3.08 – – 2.93 – – 2.63 – – 2.32 – – 1.60 – – 1.20 – –	4.70 4.75 4.88 4.45 4.49 4.60 3.11 3.15 3.23 2.96 3.00 3.08 2.66 2.70 2.76 2.35 2.38 2.45 1.62 1.64 1.68 1.22 1.23 1.26	V
Detector Voltage Threshold Temperature Coefficient		–	30	–	ppm/°C
V _{CC} to Reset Delay V _{CC} = V _{TH} to (V _{TH} - 100 mV)		–	10	–	μsec
Reset Active TimeOut Period (Note 5) MAX803SN(Q)293D1 MAX803SN(Q)293D2/MAX803SN(Q)308D2 MAX803SN(Q)293D3 MAX803SN(Q)293	t _{RP}	1.0 20 100 140	– – – –	3.3 66 330 460	msec
RESET Output Voltage Low V _{CC} = V _{TH} - 0.2 V 1.6 V ≤ V _{TH} ≤ 2.0 V, I _{SINK} = 0.5 mA 2.1 V ≤ V _{TH} ≤ 4.0 V, I _{SINK} = 1.2 mA 4.1 V ≤ V _{TH} ≤ 4.9 V, I _{SINK} = 3.2 mA	V _{OL}	–	–	0.3	V
RESET Leakage Current V _{CC} > V _{TH} , RESET De-asserted	I _{LEAK}	–	–	1	μA

3. Production testing done at T_A = 25°C, over temperature limits guaranteed by design.
4. Contact your ON Semiconductor sales representative for other threshold voltage options.
5. Contact your ON Semiconductor sales representative for timeout options availability for other threshold voltage options.

MAX803 Series, NCP803 Series

TYPICAL OPERATING CHARACTERISTICS

[查询"MAX803SQ293D3T1G"供应商](#)

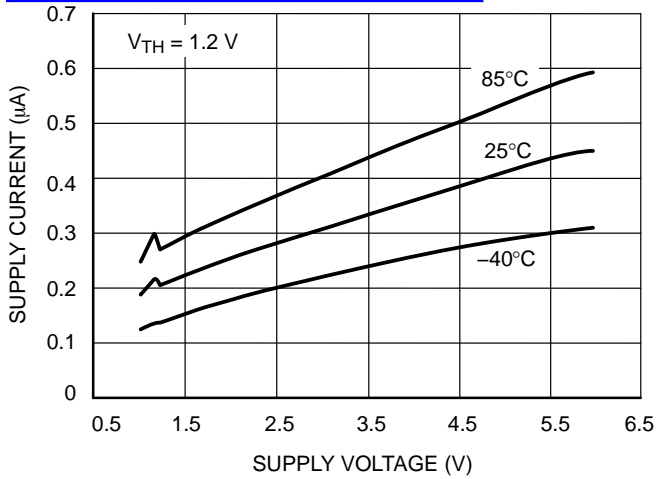


Figure 2. Supply Current vs. Supply Voltage

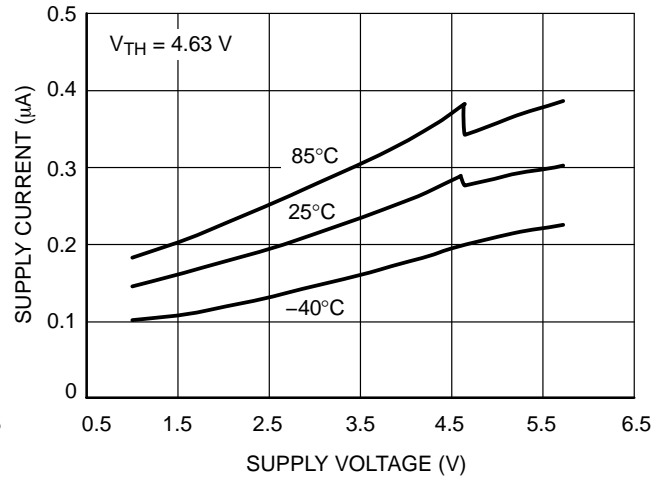


Figure 3. Supply Current vs. Supply Voltage

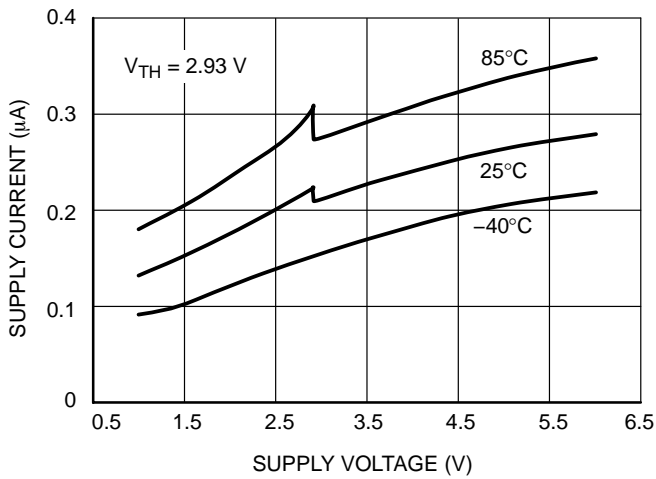


Figure 4. Supply Current vs. Supply Voltage

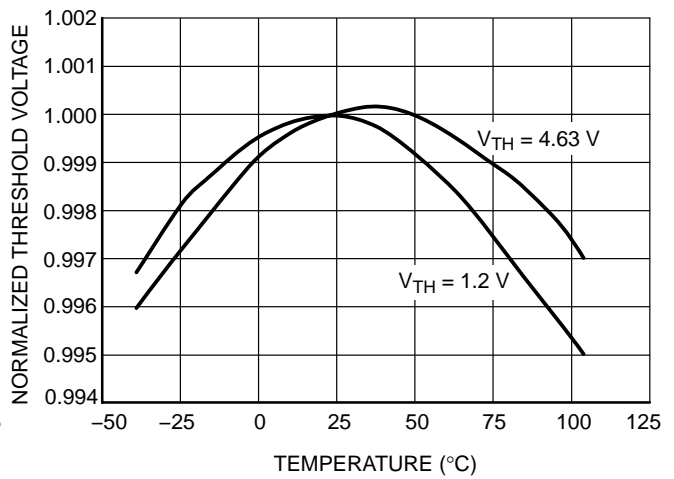


Figure 5. Normalized Reset Threshold Voltage vs. Temperature

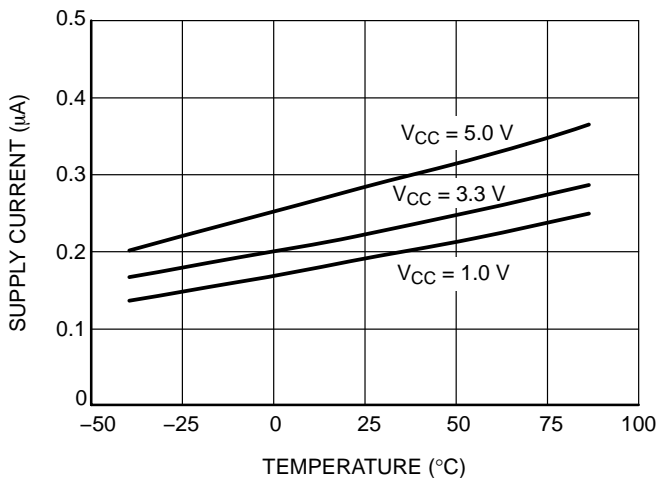


Figure 6. Supply Current vs. Temperature

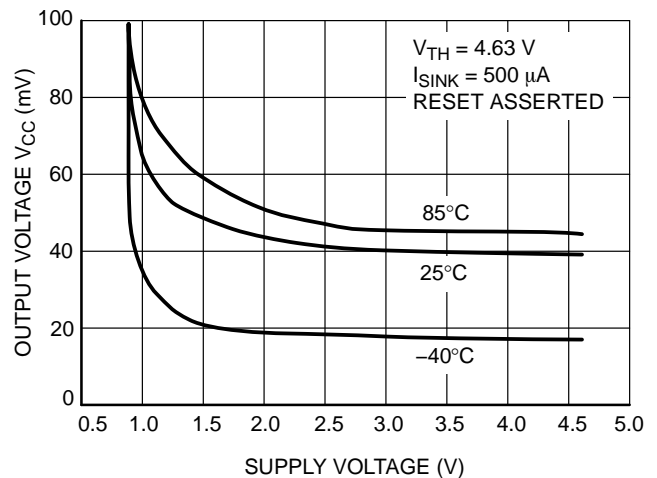


Figure 7. Output Voltage Low vs. Supply Voltage

MAX803 Series, NCP803 Series

TYPICAL OPERATING CHARACTERISTICS

[查询"MAX803SQ293D3T1G"供应商](#)

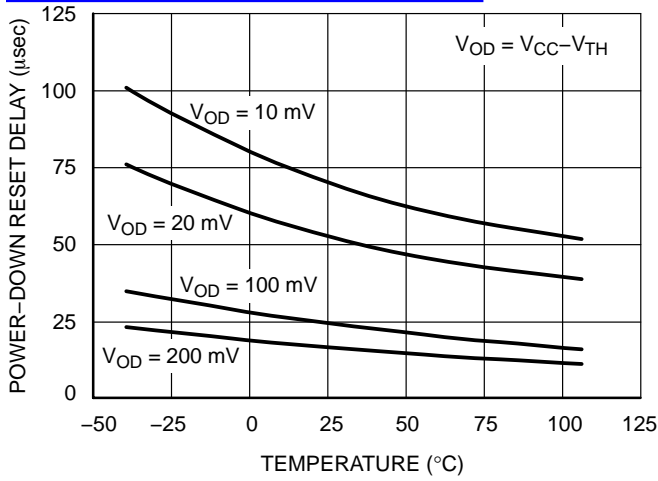


Figure 8. Power-Down Reset Delay vs. Temperature and Overdrive ($V_{TH} = 1.2\text{ V}$)

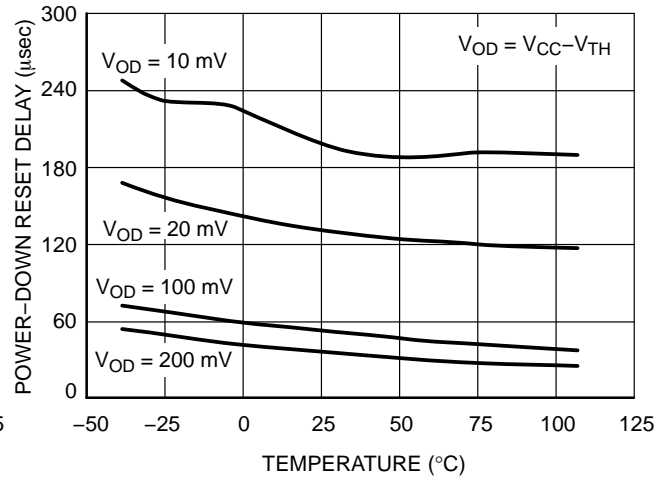


Figure 9. Power-Down Reset Delay vs. Temperature and Overdrive ($V_{TH} = 4.63\text{ V}$)

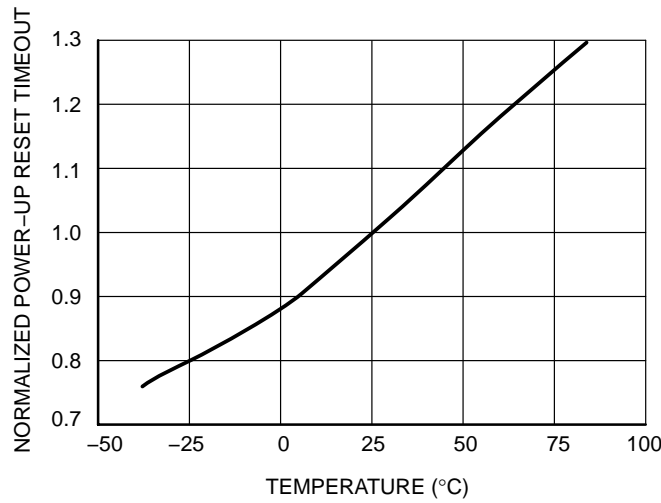


Figure 10. Normalized Power-Up Reset vs. Temperature

APPLICATIONS INFORMATION

[查询"MAX803SQ293D3T1G"供应商](#)

V_{CC} Transient Rejection

The MAX803/NCP803 series provides accurate V_{CC} monitoring and reset timing during power-up, power-down, and brownout/sag conditions, and rejects negative-going transients (glitches) on the power supply line. Figure 11 shows the maximum transient duration vs. maximum negative excursion (overdrive) for glitch rejection. Any combination of duration and overdrive which lies under the curve will not generate a reset signal. Combinations above the curve are detected as a brownout or power-down. Typically, transient that goes 100 mV below the reset threshold and lasts 5.0 μs or less will not cause a reset pulse. Transient immunity can be improved by adding a capacitor in close proximity to the V_{CC} pin of the MAX803.

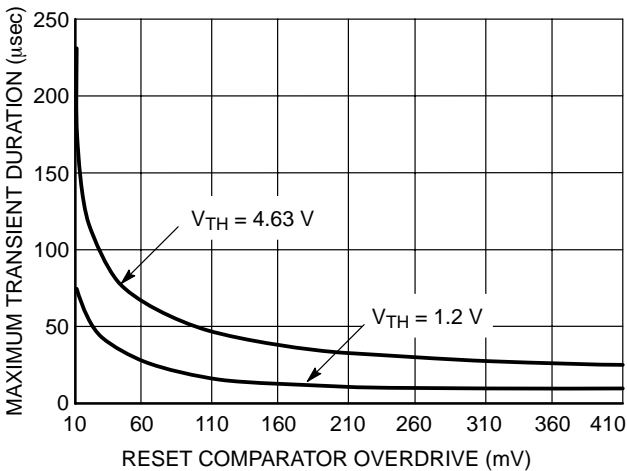
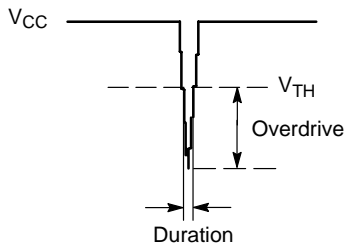
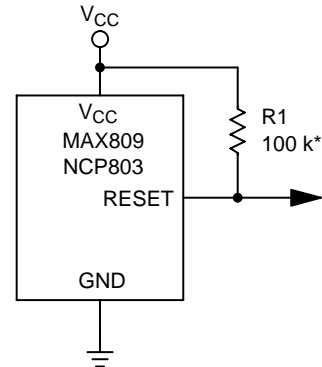


Figure 11. Maximum Transient Duration vs. Overdrive for Glitch Rejection at 25°C

RESET Signal Integrity During Power-Down

The MAX803/NCP803 RESET output is valid to V_{CC} = 1.0 V. Below this voltage the output becomes an “open circuit” and does not sink current. This means CMOS logic inputs to the Microprocessor will be floating at an undetermined voltage. Most digital systems are completely shutdown well above this voltage. However, in situations where RESET must be maintained valid to V_{CC} = 0 V, since

the NCP803/MAX803 has Open-Drain and active-low output, it typically uses a pullup resistor. With this device, RESET will most likely not maintain an active condition, but will drift to a non-active level due to the pullup resistor and the reduced sinking capability of the open-drain device. Therefore, this device is not recommended for applications where the RESET pin is required to be valid down to V_{CC} = 0 V.



*Assume High-Z Reset Input to Microprocessor

Figure 12. RESET Signal Integrity

MAX803 RESET Output Allows Use With Two Power Supplies

In numerous applications the pullup resistor place on the RESET output is connected to the supply voltage monitored by the IC. Nevertheless, a different supply voltage can also power this output and so level-shift from the monitored supply to reset the microprocessor. However, if the NCP803/MAX803's supply goes below 1 V, the RESET output ability to sink current will decrease and the result is a high state on the pin even though the supply's IC is under the threshold level. This occurs at a V_{CC} level that depends on the R_{pullup} value and the voltage which is connected.

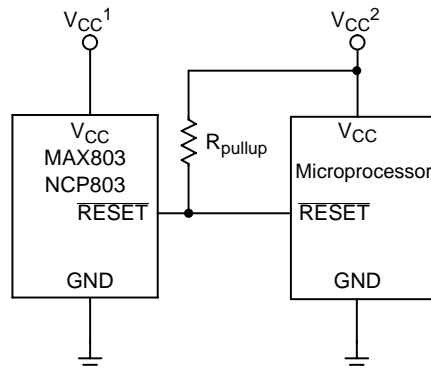


Figure 13. MAX803 RESET Output with Two Supplies

MAX803 Series, NCP803 Series

ORDERING, MARKING AND THRESHOLD INFORMATION

Part Number	Vth* (V)	Time out** (ms)	Description	Marking	Package	Shipping†
NCP803SN160T1	1.60	140–460	Open Drain RESET	SCQ	SOT23–3	3000 / Tape & Reel
NCP803SN160T1G	1.60	140–460		SCQ	SOT23–3 (Pb–Free)	
NCP803SN232T1	2.32	140–460		SQR	SOT23–3	
NCP803SN232T1G	2.32	140–460		SQR	SOT23–3 (Pb–Free)	
NCP803SN263T1	2.63	140–460		SQC	SOT23–3	
NCP803SN263T1G	2.63	140–460		SQC	SOT23–3 (Pb–Free)	
NCP803SN293T1	2.93	140–460		SQD	SOT23–3	
NCP803SN293T1G	2.93	140–460		SQD	SOT23–3 (Pb–Free)	
NCP803SN308T1	3.08	140–460		SQE	SOT23–3	
NCP803SN308T1G	3.08	140–460		SQE	SOT23–3 (Pb–Free)	
NCP803SN438T1	4.38	140–460		SQF	SOT23–3	
NCP803SN438T1G	4.38	140–460		SQF	SOT23–3 (Pb–Free)	
NCP803SN463T1	4.63	140–460		SQG	SOT23–3	
NCP803SN463T1G	4.63	140–460		SQG	SOT23–3 (Pb–Free)	
NCP803SN120T1G	1.20	140–460		SSW	SOT23–3 (Pb–Free)	
NCP803SN293D1T1G	2.93	1–3.3		SSX	SOT23–3 (Pb–Free)	
NCP803SN293D2T1G	2.93	20–66		SSY	SOT23–3 (Pb–Free)	
NCP803SN293D3T1G	2.93	100–330		SSZ	SOT23–3 (Pb–Free)	
MAX803SQ120T1G	1.20	140–460		ZV	SC70–3 (Pb–Free)	
MAX803SQ293T1G	2.93	140–460		ZW	SC70–3 (Pb–Free)	
MAX803SQ308T1G	3.08	140–460		ZX	SC70–3 (Pb–Free)	
MAX803SQ438T1G	4.38	140–460		ZY	SC70–3 (Pb–Free)	
MAX803SQ463T1G	4.63	140–460		ZZ	SC70–3 (Pb–Free)	
MAX803SQ293D1T1G	2.93	1–3.3		YA	SC70–3 (Pb–Free)	
MAX803SQ293D2T1G	2.93	20–66		YB	SC70–3 (Pb–Free)	
MAX803SQ308D2T1G	3.08	20–66		SY	SC70–3 (Pb–Free)	
MAX803SQ293D3T1G	2.93	100–330		YC	SC70–3 (Pb–Free)	

†For information on tape and reel specifications, including part orientation and tape sizes, please refer to our Tape and Reel Packaging Specifications Brochure, BRD8011/D.

*Contact your ON Semiconductor sales representative for other threshold voltage options.

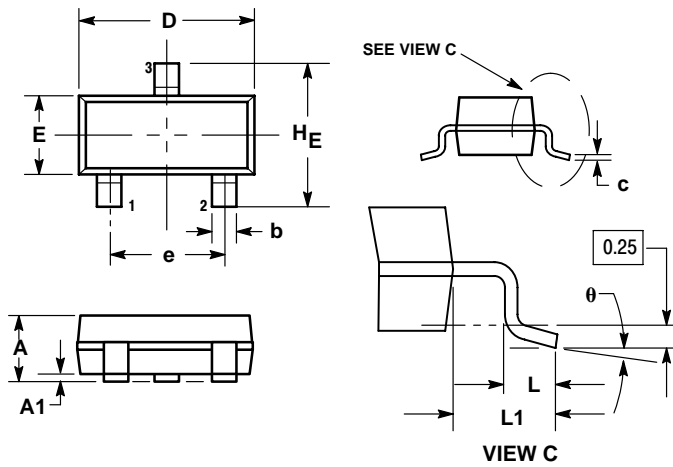
**Contact your ON Semiconductor sales representative for timeout options availability for other threshold voltage options.

MAX803 Series, NCP803 Series

[查询"MAX803SQ293D3T1G"供应商](#)

PACKAGE DIMENSIONS

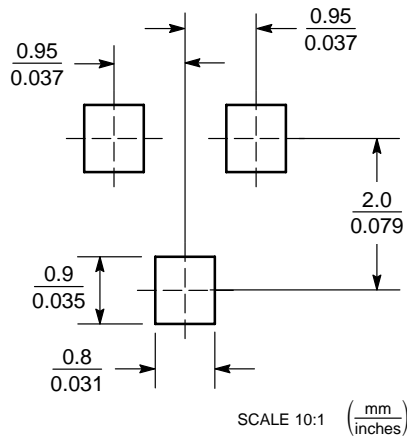
SOT-23 (TO236)
CASE 318-08
ISSUE AN



- NOTES:
1. DIMENSIONING AND TOLERANCING PER ANSI Y14.5M, 1982.
 2. CONTROLLING DIMENSION: INCH.
 3. MAXIMUM LEAD THICKNESS INCLUDES LEAD FINISH THICKNESS. MINIMUM LEAD THICKNESS IS THE MINIMUM THICKNESS OF BASE MATERIAL.
 4. 318-01 THRU -07 AND -09 OBSOLETE, NEW STANDARD 318-08.

DIM	MILLIMETERS			INCHES		
	MIN	NOM	MAX	MIN	NOM	MAX
A	0.89	1.00	1.11	0.035	0.040	0.044
A1	0.01	0.06	0.10	0.001	0.002	0.004
b	0.37	0.44	0.50	0.015	0.018	0.020
c	0.09	0.13	0.18	0.003	0.005	0.007
D	2.80	2.90	3.04	0.110	0.114	0.120
E	1.20	1.30	1.40	0.047	0.051	0.055
e	1.78	1.90	2.04	0.070	0.075	0.081
L	0.10	0.20	0.30	0.004	0.008	0.012
L1	0.35	0.54	0.69	0.014	0.021	0.029
HE	2.10	2.40	2.64	0.083	0.094	0.104

SOLDERING FOOTPRINT*



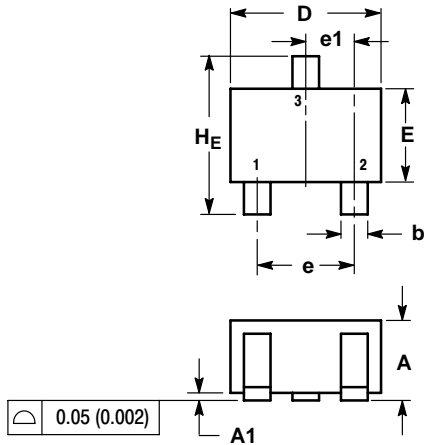
*For additional information on our Pb-Free strategy and soldering details, please download the ON Semiconductor Soldering and Mounting Techniques Reference Manual, SOLDERRM/D.

MAX803 Series, NCP803 Series

[查询"MAX803SQ293D3T1G"供应商](#)

PACKAGE DIMENSIONS

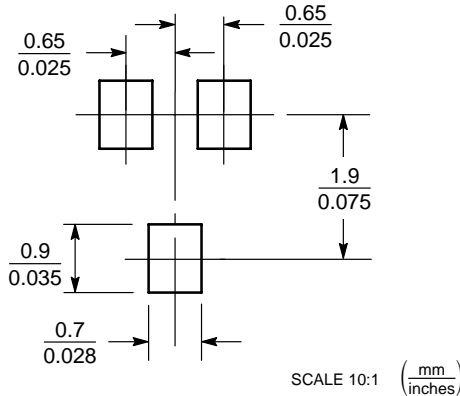
SC-70 (SOT-323)
CASE 419-04
ISSUE M



- NOTES:
1. DIMENSIONING AND TOLERANCING PER ANSI Y14.5M, 1982.
2. CONTROLLING DIMENSION: INCH.

DIM	MILLIMETERS			INCHES		
	MIN	NOM	MAX	MIN	NOM	MAX
A	0.80	0.90	1.00	0.032	0.035	0.040
A1	0.00	0.05	0.10	0.000	0.002	0.004
A2	0.7 REF			0.028 REF		
b	0.30	0.35	0.40	0.012	0.014	0.016
c	0.10	0.18	0.25	0.004	0.007	0.010
D	1.80	2.10	2.20	0.071	0.083	0.087
E	1.15	1.24	1.35	0.045	0.049	0.053
e	1.20	1.30	1.40	0.047	0.051	0.055
e1	0.65 BSC			0.026 BSC		
L	0.425 REF			0.017 REF		
H _E	2.00	2.10	2.40	0.079	0.083	0.095

SOLDERING FOOTPRINT*



*For additional information on our Pb-Free strategy and soldering details, please download the ON Semiconductor Soldering and Mounting Techniques Reference Manual, SOLDERRM/D.

ON Semiconductor and are registered trademarks of Semiconductor Components Industries, LLC (SCILLC). SCILLC reserves the right to make changes without further notice to any products herein. SCILLC makes no warranty, representation or guarantee regarding the suitability of its products for any particular purpose, nor does SCILLC assume any liability arising out of the application or use of any product or circuit, and specifically disclaims any and all liability, including without limitation special, consequential or incidental damages. "Typical" parameters which may be provided in SCILLC data sheets and/or specifications can and do vary in different applications and actual performance may vary over time. All operating parameters, including "Typicals" must be validated for each customer application by customer's technical experts. SCILLC does not convey any license under its patent rights nor the rights of others. SCILLC products are not designed, intended, or authorized for use as components in systems intended for surgical implant into the body, or other applications intended to support or sustain life, or for any other application in which the failure of the SCILLC product could create a situation where personal injury or death may occur. Should Buyer purchase or use SCILLC products for any such unintended or unauthorized application, Buyer shall indemnify and hold SCILLC and its officers, employees, subsidiaries, affiliates, and distributors harmless against all claims, costs, damages, and expenses, and reasonable attorney fees arising out of, directly or indirectly, any claim of personal injury or death associated with such unintended or unauthorized use, even if such claim alleges that SCILLC was negligent regarding the design or manufacture of the part. SCILLC is an Equal Opportunity/Affirmative Action Employer. This literature is subject to all applicable copyright laws and is not for resale in any manner.

PUBLICATION ORDERING INFORMATION

LITERATURE FULFILLMENT:
Literature Distribution Center for ON Semiconductor
P.O. Box 5163, Denver, Colorado 80217 USA
Phone: 303-675-2175 or 800-344-3860 Toll Free USA/Canada
Fax: 303-675-2176 or 800-344-3867 Toll Free USA/Canada
Email: orderlit@onsemi.com

N. American Technical Support: 800-282-9855 Toll Free
USA/Canada
Europe, Middle East and Africa Technical Support:
Phone: 421 33 790 2910
Japan Customer Focus Center
Phone: 81-3-5773-3850

ON Semiconductor Website: www.onsemi.com
Order Literature: <http://www.onsemi.com/orderlit>

For additional information, please contact your local Sales Representative