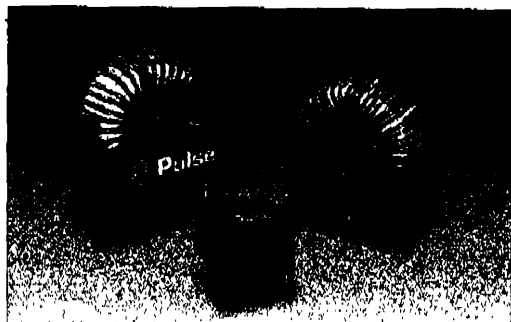


[查询"52626"供应商](#)

INDUCTORS DESIGNED FOR NATIONAL'S 50 KHZ SIMPLE SWITCHER™



- Designed for use with National's device numbers LM2574/LM2575/LM2576
- Base material meets flammability requirements of UL 94V-0
- Performance verified by National Semiconductor

Electrical Specifications: 25°C Operating Temperature: 30 to 150°C

Part Identification		Reference Operating Values ⁽¹⁾			Design Control Values			
Pulse Part Number	Inductor Code	Inductance Typical (μH)	I _{DC} (Amps)	E _{TOP} (V-μSec)	Inductance No DC ⁽²⁾ (μH ± 20%)	DCR (Ω MAX)	Package Style	Lead Diameter
PE-53112	L47	47	3.0	90	38	0.05	KM-2.0	.025
PE-92114K	L68	68	3.0	90	55	0.02	KM-4.0	.040
PE-92108K	L100	100	3.0	90	91	0.04	KM-4.0	.032
PE-53113	L160	160	2.0	90	130	0.10	KM-4.0	.025
PE-52626	L220	220	1.4	90	230	0.38	Low Profile	.025 SQ.
PE-53145	L220	220	1.4	90	176	0.14	KM-3.0	.020
PE-52627	L330	330	0.9	90	302	0.74	Low Profile	.025 SQ.
PE-53146	L330	330	0.9	90	287	0.18	KM-3.0	.020
PE-53114	L470	470	0.64	90	426	0.16	KM-4.0	.025
PE-52629	L680	680	.85	90	657	1.25	Low Profile	.025 SQ.
PE-53115	H150	150	3.0	200	136	0.10	KM-4.0	.025
PE-53116	H220	220	3.0	200	167	0.07	KM-5.0	.032
PE-53117	H330	330	3.0	200	292	0.15	KM-5.0	.025
PE-53118	H470	470	2.0	200	366	0.17	KM-5.0	.025
PE-53119	H680	680	1.3	200	562	0.20	KM-5.0	.025
PE-53120	H1000	1000	0.95	200	762	0.24	KM-5.0	.025
PE-53121	H1500	1500	0.62	200	1150	1.00	Case	.032
PE-53122	H220	2200	0.42	200	1730	1.80	Case	.032

Notes:

1. Typical inductance occurs at the I_{DC} and E_{TOP} values shown.
2. The control value of inductance is measured at B_{OP} equal to or less than 10 gauss (10 mV @ 20 KHz) without DC current.
3. Inductance decreases with higher values of DC current and increases with lower values of DC current.
4. Inductance increases with increase in B_{OP} or E_{TOP}.
5. SIMPLE SWITCHER™ is a trademark of National Semiconductor Corporation.

USA

EUROPE

ASIA

W-E

PC501.E (12/97)

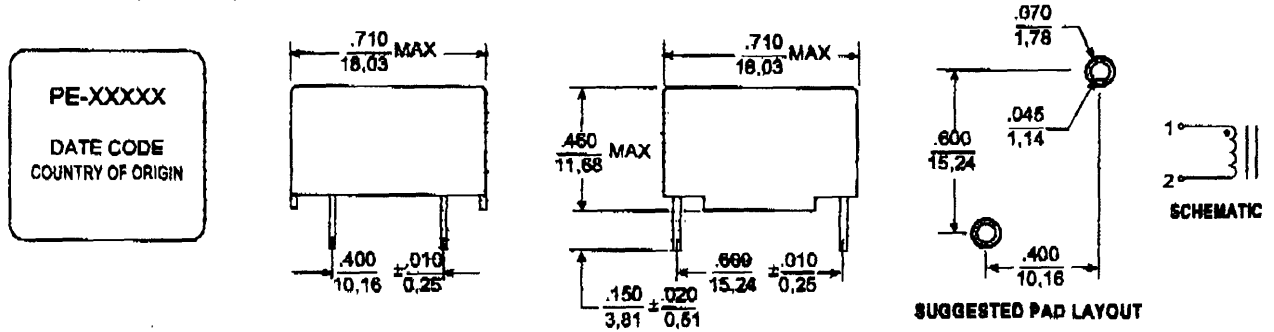
[查询"52626"供应商](#)

INDUCTORS DESIGNED FOR NATIONAL'S 50 KHz SIMPLE SWITCHER™

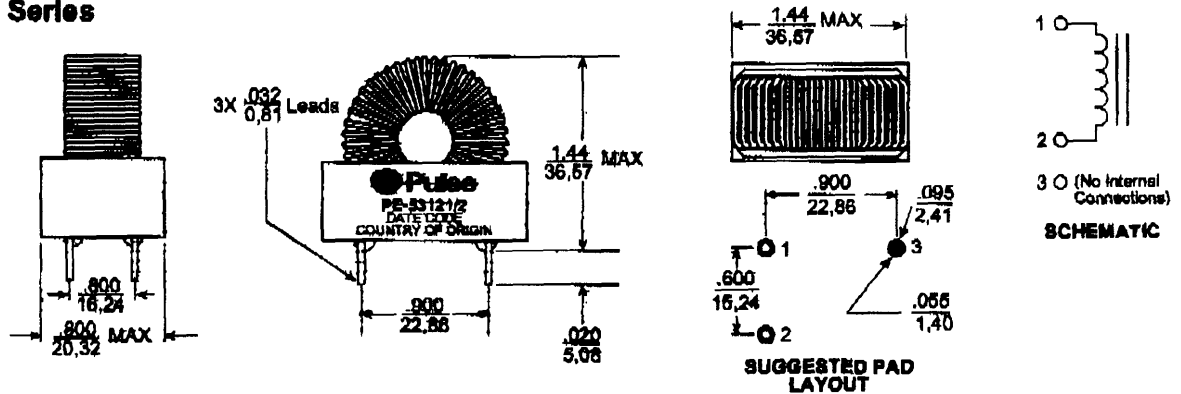


Mechanicals

Low Profile Series



Case Series



KilpMount Series

PKG	A	B	C	D	E	F
KM-2.0	.450	.850	.700	.325	.150	.130
	11.43	21.51	17.73	8.26	3.81	3.30
KM-3.0	.450	.830	.950	.415	.150	.130
	11.43	21.08	24.13	10.54	3.81	3.30
KM-4.0	.600	.950	1.00	.475	.225	.130
	15.24	24.13	25.4	12.07	5.72	3.30
KM-5.0	.700	1.30	1.40	.625	.250	.130
	17.73	33.02	35.56	15.88	6.35	3.30

Unless otherwise specified, all tolerances are ± .010 / 0.26

Dimensions: Inches / mm

