

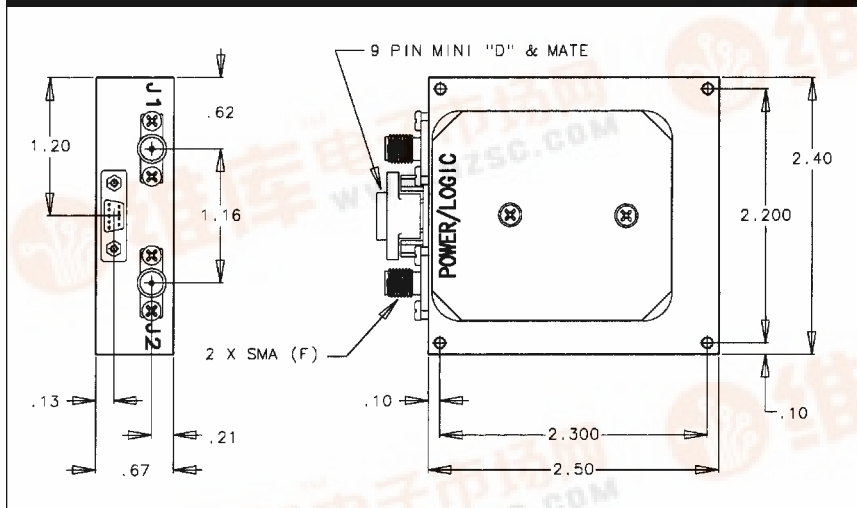
CONNECTORIZED ATTENUATORS WITH DIGITAL CONNECTORS



ELECTRICAL CHARACTERISTICS

PART #	TYPE	FREQ RANGE GHz	LOSS dB	ATTEN RANGE dB	VSWR	SWITCH SPEED ns	RF POWER dBm	DC SUPPLY Volts
8165	6 Bit	2-8	3.8	31.5	1.8:1	150	27	+5,-15
8166	4 Bit	.8-1.2	2.5	67.5	1.8:1	50	33	+5,-15
8167	4 Bit	.8-1.2	2.5	60	1.8:1	50	33	+5,-15
8168	6 Bit	.5-4	4.0	63	1.8:1	200	20	+5,-5

PACKAGE OUTLINE



DESCRIPTION

Designed for high speed/medium power applications, these digital attenuators feature nine-pin micro-D connectors that easily integrate to control logic without the need for soldered connections. Both the digital and the RF connectors are on one side for easy cable connection. Hermetic, military/industrial design.

ADDITIONAL FEATURES (#8166)

■ Power:
2 Watts

CONNECTORS

■ SMA

OPERATING ENVIRONMENT

■ Operating Temperature:
-55 to +125°C

■ Storage Temperature:
-65 to +150°C

■ Impedance:
50 ohm

■ Control:
Transistor-Transistor Logic (TTL)

APPLICATIONS

- Radar simulation
- Electronic Warfare (EW)
- Radar stimulator



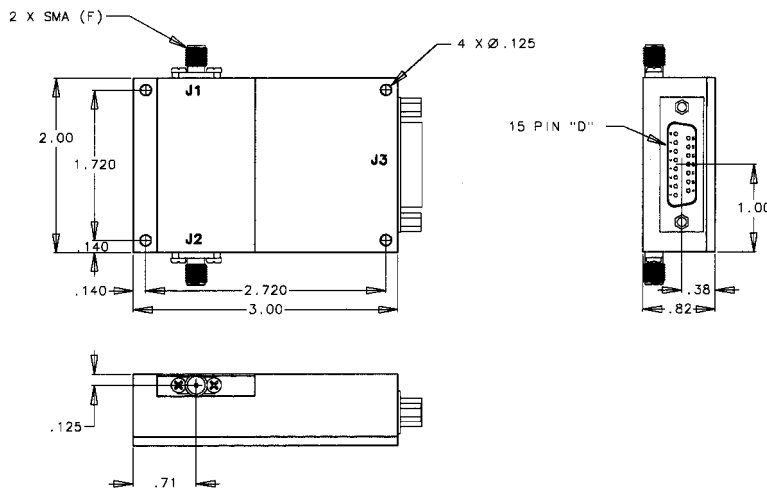
CONVERTED ATTENUATORS
WITH DIGITAL CONNECTORS



ELECTRICAL CHARACTERISTICS

PART #	TYPE	FREQ RANGE GHz	LOSS dB	ATTEN RANGE dB	VSWR	SWITCH SPEED ns	RF POWER dBm	DC SUPPLY Volts
8169	6 Bit	6-10	2.7	63	2.0:1	500	10	+12,-12
8170	6 Bit	4-8	2.5	63	2.0:1	500	10	+12,-12
8171	6 Bit	12-18	3.2	63	2.0:1	500	10	+12,-12

PACKAGE OUTLINE



DESCRIPTION

Designed for high accuracy and/or fast switching speed, each one of these digital attenuators contains a removable analog attenuator (see following page for description) which allows for flexible use of different frequency bands. Hermetic, military/industrial design.

ADDITIONAL FEATURES (#8169)

■ Accuracy: 2%

CONNECTORS

■ SMA

OPERATING ENVIRONMENT

■ Operating Temperature:

-55 to +125°C

■ Storage Temperature:

-65 to +150°C

■ Impedance:

50 ohm

■ Control:

Transistor-Transistor Logic (TTL)

APPLICATIONS

■ Electronic Countermeasure (ECM)

■ Communications test equipment

■ Electronic Warfare (EW)