

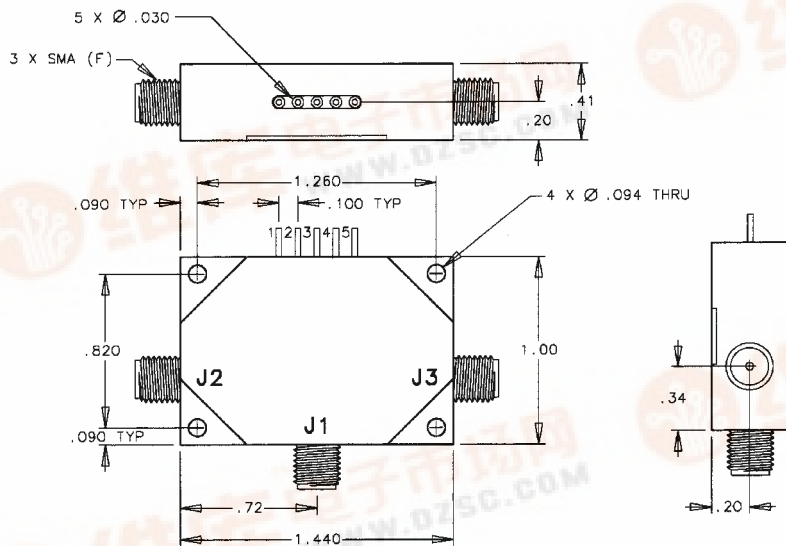
# SINGLE POLE, DOUBLE THROW CONNECTORIZED SWITCHES



## ELECTRICAL CHARACTERISTICS

PART #	TYPE	FREQ RANGE GHz	LOSS dB	ISO dB	VSWR	SWITCH SPEED ns	RF POWER dBm	DC SUPPLY Volts
6017	SP2T N	.01-1	1.2	55	2.0:1	25	25	+5
6020	SP2T N	.75-4	0.8	90	1.7:1	35	30	+5,-15
6021	SP2T N	1-18	3.5	60	2.0:1	35	30	+5,-15
6022	SP2T R	.03-1	0.6	40	1.8:1	1000	43	+5,-28

## PACKAGE OUTLINE



## DESCRIPTION

High performance wideband switches that feature fast switching speed and/or high power handling and low distortion. Hermetic, military/industrial design.

## ADDITIONAL FEATURES (#6022)

- Two-tone intermodulation distortion
- 2nd order: +100 dBm
- 3rd order: +65 dBm

## CONNECTORS

SMA

## OPERATING ENVIRONMENT

- Operating Temperature: -55 to +125°C
- Storage Temperature: -65 to +150°C
- Impedance: 50 ohm
- Control: Transistor-Transistor Logic (TTL)

## APPLICATIONS

- Radar blanking
- Electronic Intelligence (ELINT)