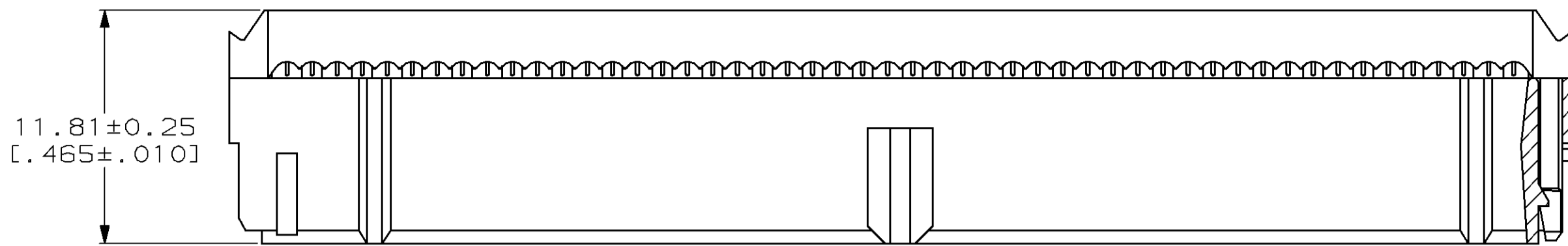


THIS DRAWING IS UNPUBLISHED. RELEASED FOR PUBLICATION
 BY AMP INCORPORATED. ALL RIGHTS RESERVED.

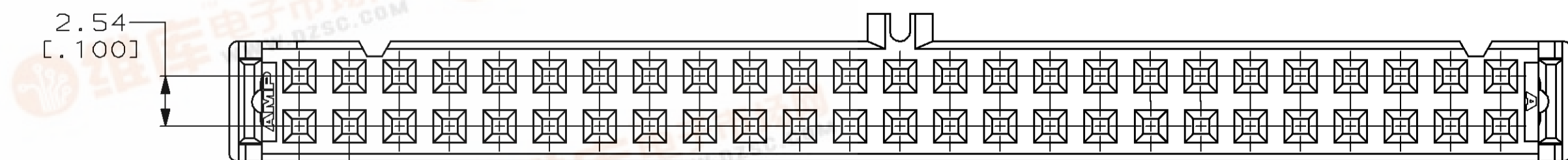
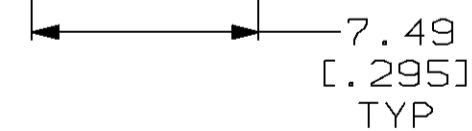
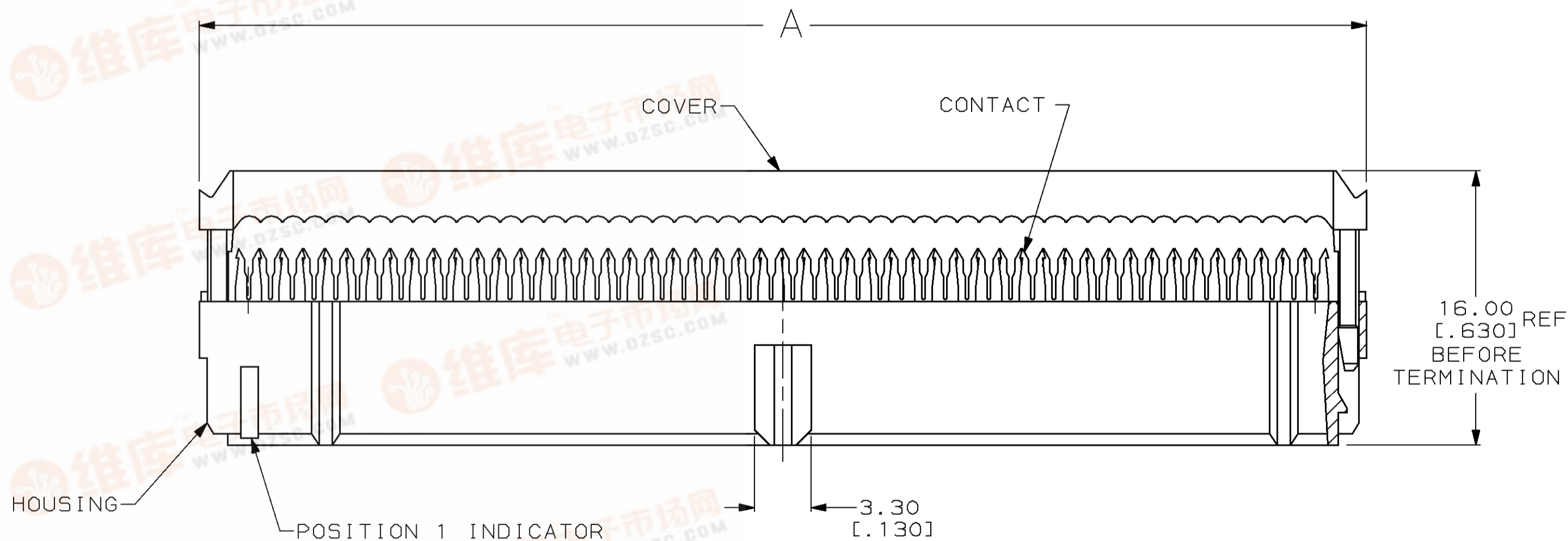
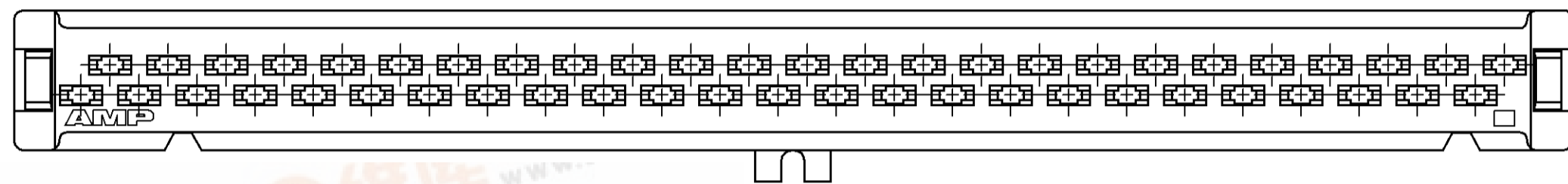
© COPYRIGHT 1995 BY AMP INCORPORATED. ALL RIGHTS RESERVED.
 查询111918-8 供应商



TERMINATED VIEW

Loc	DIST	REVISIONS					
		P	LTR	DESCRIPTION	DATE	DWN	APVD
AR	35		0	RELEASED PER NPR 5380	07/11/95	-	-
			A	ADDED -1 THRU -7, -11 & -12 PER EC 0020-181-96	22 FEB 96	DH	RK
			B	REV PER EC 0410-103-96	15 FEB 97	CR	JGH

- 1 THERMOPLASTIC, BLACK, UL 94V-0 RATED.
- 2 COPPER ALLOY
- 3 0.38μm [0.00015] MIN GOLD ON CONTACT AREA,
0.76μm [0.00030] MIN BRIGHT TIN-LEAD ON TERMINATION END,
ALL OVER NICKEL.



85.85 [3.380]	64	1-111918-2
80.77 [3.180]	60	1-111918-1
68.07 [2.680]	50	1-111918-0
55.37 [2.180]	40	111918-9
47.75 [1.880]	34	111918-8
42.67 [1.680]	30	111918-7
37.59 [1.480]	26	111918-6
35.05 [1.380]	24	111918-5
29.97 [1.180]	20	111918-4
24.89 [0.980]	16	111918-3
22.35 [0.880]	14	111918-2
17.27 [0.680]	10	111918-1
A	NO OF POSN	PART NO

THIS DRAWING IS A CONTROLLED DOCUMENT FOR AMP INCORPORATED. IT IS SUBJECT TO CHANGE AND THE CONTROLLING ENGINEERING ORGANIZATION SHOULD BE CONTACTED FOR THE LATEST REVISION.		DWN K.FOLTZ 07/11/95	AMP Incorporated Harrisburg, PA 17105-3608	
DIMENSIONS: mm [INCHES]		CHK R.STONE 07/12/95	NAME RECEPTACLE ASSEMBLY, CENTER & MILITARY POLARIZATION, ECONO-LATCH	
TOLERANCES UNLESS OTHERWISE SPECIFIED: 0 PLC ± 1 PLC ± 2 PLC ±0.13 [0.005] 3 PLC ± 4 PLC ± ANGLES ± FINISH ±		APVD J.STINE 07/13/95	PRODUCT SPEC 108-1529	
MATERIAL HOUSING & COVER: 1 CONTACTS: 2		APPLICATION SPEC 114-40005	SIZE A2	CAGE CODE 00779
CONTACTS: 3		WEIGHT -	DRAWING NO C=111918	SCALE 4:1
CUSTOMER DRAWING		SHEET 1 OF 1		REV B