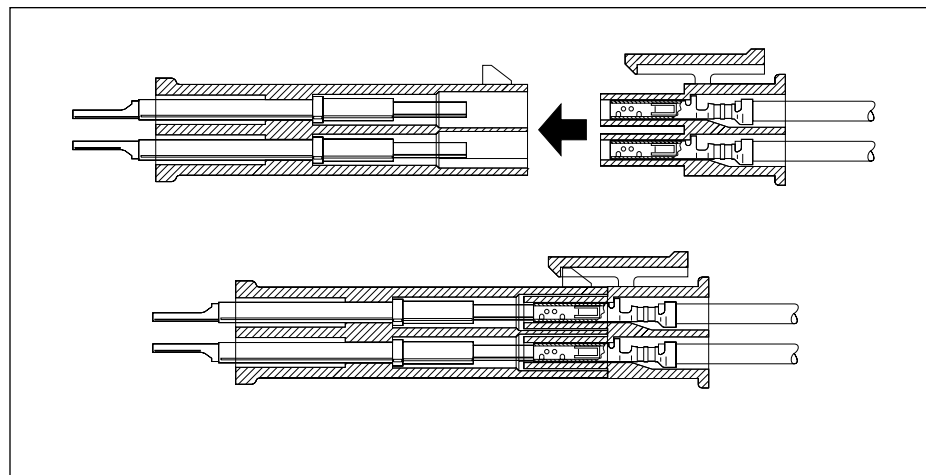




## Micro-Fit 3.0™ Test Plugs Won't Damage Mating Contact

Molex introduces a complete line of test plugs for use in every Micro-Fit production testing application. In production test environments, our standard male contacts can become damaged from repeated cycling, potentially damaging the mating female contact. Our new dual-row Micro-Fit test plugs feature spring-loaded male contacts that eliminate any chance of damage to the mating female contact, even after 1000's of cycles. These special plug contacts maintain pressure against the mating female contacts for continuity and other testing purposes.



### FEATURES AND BENEFITS

- Rated for 1000's of mating cycles
- Minimal expense and downtime for test plug replacement
- Gold-plated, beryllium copper contacts are precision made for long life
- Can be used for continuity or current testing\* (2.5A max.)
- Micro-Fit dual row sizes available for every application: 4 to 24 circuits
- Easy access to solder cups for quick installation
- Mismatching prevented because plug is fully polarized to mating receptacle
- Accepts 22 to 26 AWG wire

### TECHNICAL SPECIFICATIONS AND ORDERING INFORMATION

Packaging: *Individual (1 per package)*

Mates with: *43025 Receptacle*

Resistance: *35mΩ max.*

Current: *2.5A max.*

Wire Range: *22 to 26 AWG*

Durability: *10,000 cycles*

Contact Material: *Beryllium Copper*

Plating Material: *Gold*

Circuit Size	Order No.
4	44242-0001
6	44242-0002
8	44242-0003
10	44242-0004
12	44242-0005
14	44242-0006
16	44242-0007
18	44242-0008
20	44242-0009
22	44242-0010
24	44242-0011

**\*Important: Micro-Fit test headers cannot be mated or unmated under load. All current must be shut off prior to mating or unmating.**

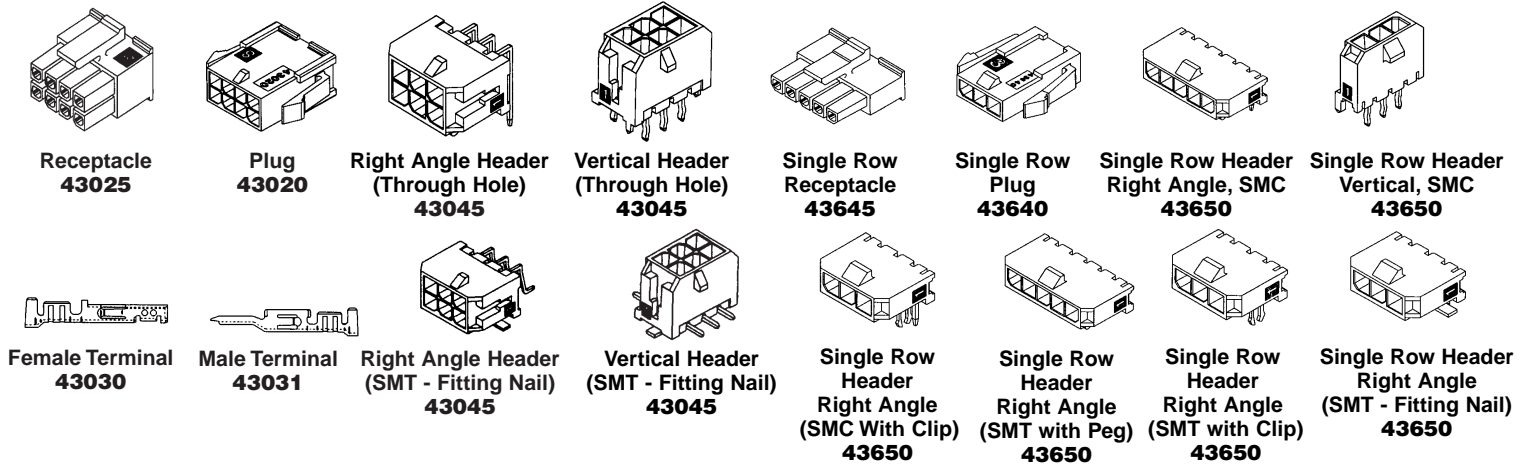
# The Micro-Fit 3.0™ Family



## FEATURES

- Fully isolated contacts
- Full polarization — will not allow mating of unlike circuit sizes
- Positive locks
- Polyester crimp housings
- SMT/Surface Mount Capatible (Through Hole) headers
- Up to 2.5A per circuit
- 250 VAC rating
- Dual row and single row configurations
- UL, CSA and TUV approved

## PRODUCT LINE OVERVIEW



### Crimp Housing

Receptacles (Use with 43030 terminals)		Plugs (Use with 43031 terminals)			
Dual Row	Single Row	Free Hanging		Panel Mount	
		Dual Row	Single Row	Dual Row	Single Row
43025-XX00	43645-XX00	43020-XX01	43640-XX01	43020-XX00	43640-XX00

### Vertical Headers

Plating	Through Hole		SMT with Clip		SMT with Nail	
	Dual Row	Single Row	Dual Row	Single Row	Dual Row	Single Row
Tin	43045-XX12	43650-XX15	43045-XX15	43650-XX21	43045-XX18	43650-XX24
15µ" Gold	43045-XX13	43650-XX16	43045-XX16	43650-XX22	43045-XX19	43650-XX25
30µ" Gold	43045-XX14	43650-XX17	43045-XX17	43650-XX23	43045-XX20	43650-XX26

### Right Angle Headers

Plating	Through Hole		SMT with Pegs		SMT with Clip		SMT with Nail	
	Dual Row	Single Row	Dual Row	Single Row	Dual Row	Single Row	Dual Row	Single Row
Tin	43045-XX00	43650-XX00	43045-XX03	43650-XX06	43045-XX06	43650-XX09	43045-XX09	43650-XX12
15µ" Gold	43045-XX01	43650-XX01	43045-XX04	43650-XX07	43045-XX07	43650-XX10	43045-XX10	43650-XX13
30µ" Gold	43045-XX02	43650-XX02	43045-XX05	43650-XX08	43045-XX08	43650-XX11	43045-XX11	43650-XX14

For dual row, replace XX with number of circuits, 02-24.  
For single row, replace XX with number of circuits, 02-12.

### Crimp Terminals and Application Tooling

Wire Size AWG	Plating	Reel						Application Tooling			
		Female		Male		TM40/42	Mini-Mac	Hand Tool		Extraction Tool	
								Female	Male		
20-24	Tin	43030-0001	43031-0001	43030-0007	43031-0007	11-40-2259	63820-8100	11-01-0200	11-01-0201	11-03-0043	
26-30	Tin	43030-0004	43031-0004	43030-0010	43031-0010	11-40-2258	63820-8000	11-01-0200	11-01-0201	11-03-0043	
20-24	15µ" Gold	43030-0002	43031-0002	43030-0008	43031-0008	11-40-2259	63820-8100	11-01-0200	11-01-0201	11-03-0043	
26-30	15µ" Gold	43030-0005	43031-0005	43030-0011	43031-0011	11-40-2258	63820-8000	11-01-0200	11-01-0201	11-03-0043	
20-24	30µ" Gold	43030-0003	43031-0003	43030-0009	43031-0009	11-40-2259	63820-8100	11-01-0200	11-01-0201	11-03-0043	
26-30	30µ" Gold	43030-0006	43031-0006	43030-0012	43031-0012	11-40-2258	63820-8000	11-01-0200	11-01-0201	11-03-0043	



Bringing People & Technology Together, Worldwide<sup>SM</sup>

Worldwide Web Site: <http://www.molex.com>

Corporate Headquarters: 2222 Wellington Ct., Lisle, IL 60532 U.S.A., Tel: 630-969-4550 • European Headquarters: Munich, Germany, Tel: 49-89-413092-0

Far East North Headquarters: Kanagawa, Japan, Tel: 81-462-65-2324 • Far East South Headquarters: Jurong, Singapore, Tel: 65-268-6868

Order No. USA-050

Printed in USA/10K/JI/JI/99.3

©1998, Molex