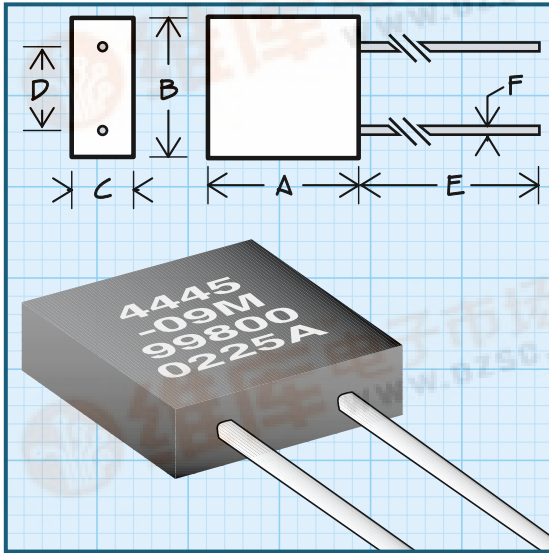


Series 4445R 4445 Radial Toroidal Inductors

RoHS
Compliant

Traditional
First Quality

查询"4445-01M"供应商



Military Specification MS-21423 (ref.)

Mechanical Configuration Units are radial leaded and encapsulated in an epoxy molded package.

Physical Parameters

| | Inches | Millimeters |
|---|------------------|----------------|
| A | 0.200 to 0.230 | 5.08 to 5.84 |
| B | 0.190 to 0.210 | 4.83 to 5.33 |
| C | 0.090 to 0.110 | 2.29 to 2.79 |
| D | 0.090 to 0.110 | 2.29 to 2.79 |
| E | 1.00 Min. | 25.4 Min. |
| F | 0.0185 to 0.0215 | 0.470 to 0.546 |

Operating Temperature -55°C to +125°C

Current Rating at 90°C Ambient 35°C Rise

Maximum Power Dissipation at 90°C 0.200 W

Note Inductance measured 0.25" from body.

Weight Max. (Grams) 0.5

Packaging Bulk only

Made in the U.S.A.

****Note:** Self Resonant Frequency (SRF) values above 250 MHz are calculated and for reference only.

DASH NUMBER*

MIL DASH # (Ref.)

INDUCTANCE (µH)

TOLERANCE

Q MINIMUM

TEST FREQUENCY (MHz)

SRF MINIMUM (MHz)**

DC RESISTANCE MAXIMUM (OHMS)

CURRENT RATING MAXIMUM (mA)

| MS21423 (Ref.) - SERIES 4445 | | | | | | | | |
|------------------------------|----|-------|-------|----|-----|------|-------|------|
| -01M | 1 | 0.010 | ± 20% | 60 | 150 | 1000 | 0.020 | 3000 |
| -02M | 2 | 0.012 | ± 20% | 60 | 150 | 1000 | 0.020 | 3000 |
| -03M | 3 | 0.015 | ± 20% | 60 | 150 | 1000 | 0.020 | 3000 |
| -04M | 4 | 0.018 | ± 20% | 60 | 150 | 1000 | 0.020 | 3000 |
| -05M | 5 | 0.022 | ± 20% | 60 | 100 | 900 | 0.020 | 3000 |
| -06M | 6 | 0.027 | ± 20% | 60 | 100 | 800 | 0.020 | 3000 |
| -07M | 7 | 0.033 | ± 20% | 60 | 100 | 750 | 0.020 | 3000 |
| -08M | 8 | 0.039 | ± 20% | 60 | 100 | 700 | 0.020 | 3000 |
| -09M | 9 | 0.047 | ± 20% | 60 | 100 | 650 | 0.020 | 3000 |
| -10M | 10 | 0.056 | ± 20% | 60 | 100 | 600 | 0.020 | 3000 |
| -11M | 11 | 0.068 | ± 20% | 60 | 100 | 550 | 0.030 | 2500 |
| -12M | 12 | 0.082 | ± 20% | 60 | 100 | 500 | 0.040 | 2200 |
| -13K | 13 | 0.100 | ± 10% | 80 | 50 | 450 | 0.040 | 2200 |
| -14K | 14 | 0.120 | ± 10% | 80 | 50 | 400 | 0.050 | 2000 |
| -15K | 15 | 0.150 | ± 10% | 80 | 50 | 350 | 0.060 | 1800 |
| -16K | 16 | 0.180 | ± 10% | 80 | 50 | 320 | 0.070 | 1600 |
| -17K | 17 | 0.220 | ± 10% | 80 | 50 | 300 | 0.080 | 1500 |
| -18K | 18 | 0.270 | ± 10% | 80 | 50 | 280 | 0.100 | 1400 |
| -19K | 19 | 0.330 | ± 10% | 80 | 50 | 260 | 0.120 | 1300 |
| -20K | 20 | 0.390 | ± 10% | 80 | 50 | 240 | 0.150 | 1150 |
| -21K | 21 | 0.470 | ± 10% | 80 | 50 | 220 | 0.200 | 1000 |
| -22K | 22 | 0.560 | ± 10% | 70 | 50 | 200 | 0.250 | 900 |
| -23K | 23 | 0.680 | ± 10% | 70 | 50 | 180 | 0.300 | 800 |
| -24K | 24 | 0.820 | ± 10% | 70 | 50 | 160 | 0.350 | 750 |
| -25K | 25 | 1.000 | ± 10% | 70 | 50 | 150 | 0.400 | 700 |

Optional Tolerances: J = 5% H = 3% G = 2%
(Dash 01-12 Min. Tolerance is ±5%)

*Complete part # must include series # PLUS the dash #

For further surface finish information,
refer to TECHNICAL section of this catalog.