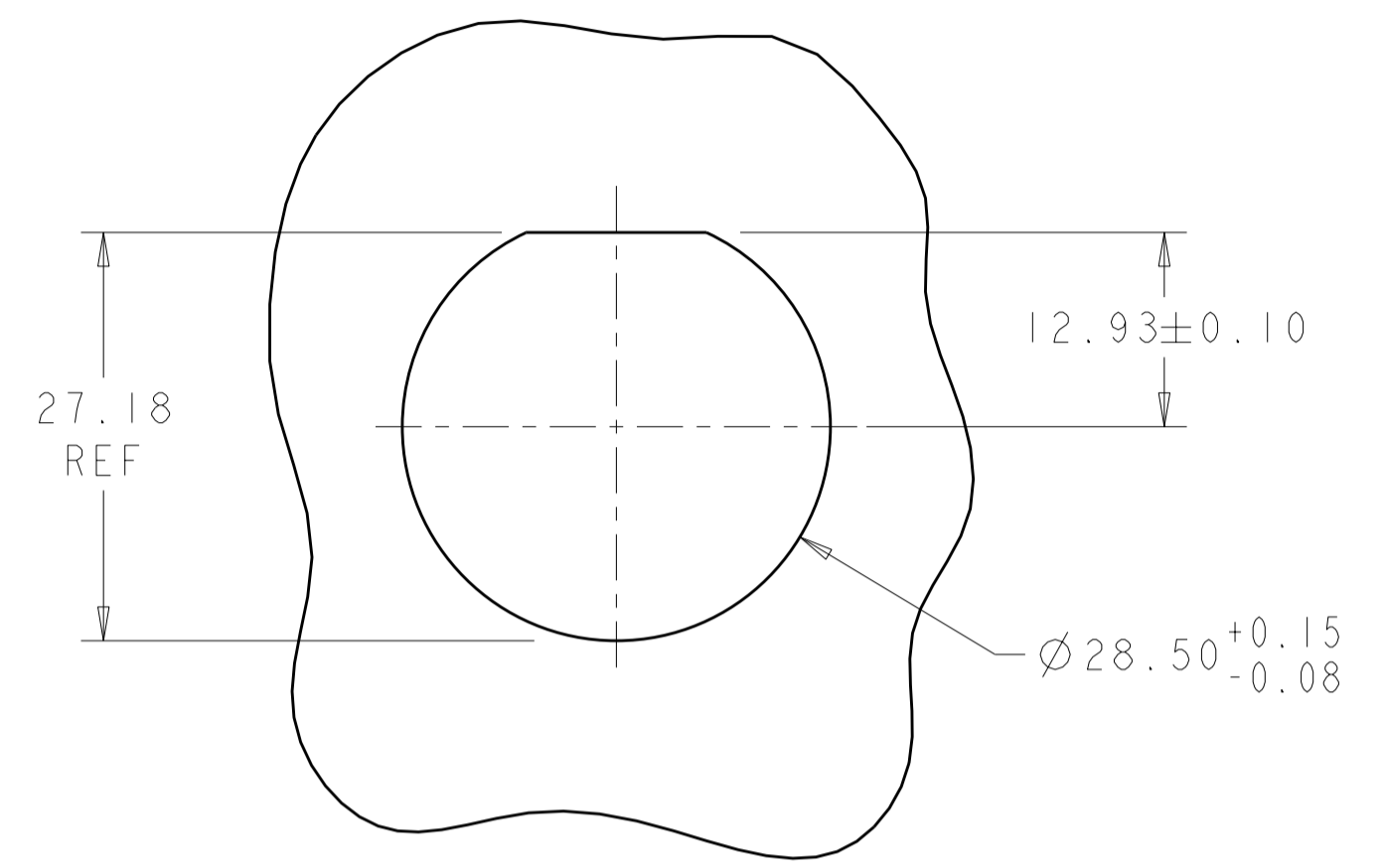
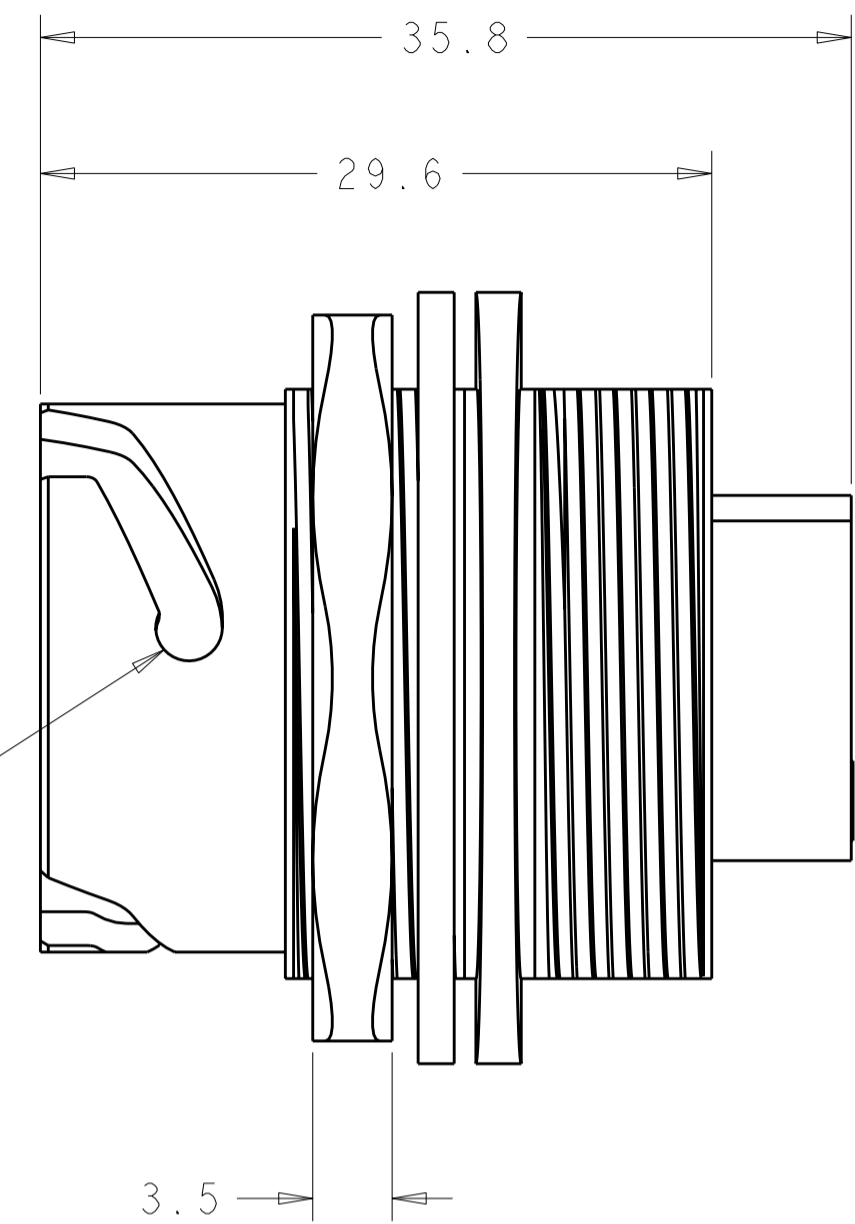
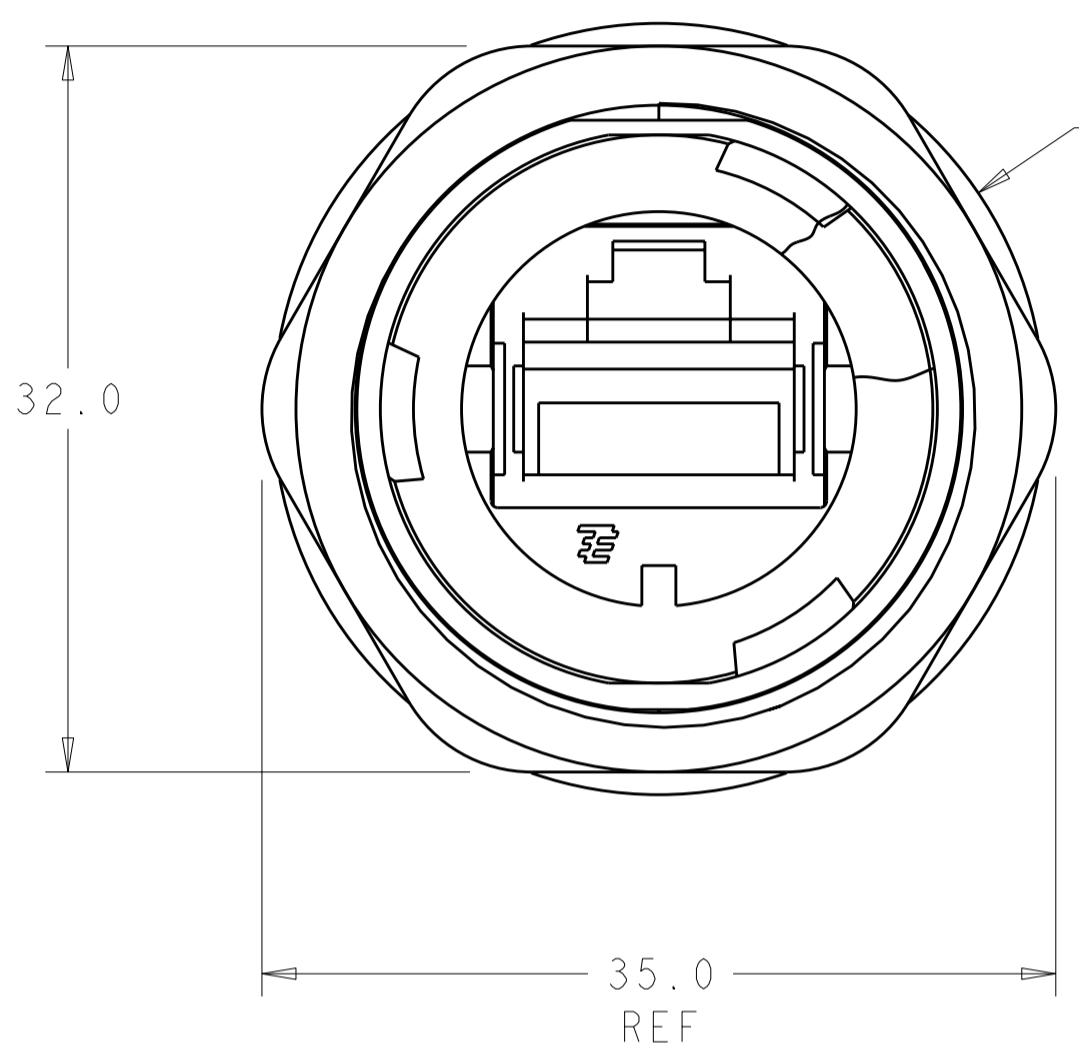


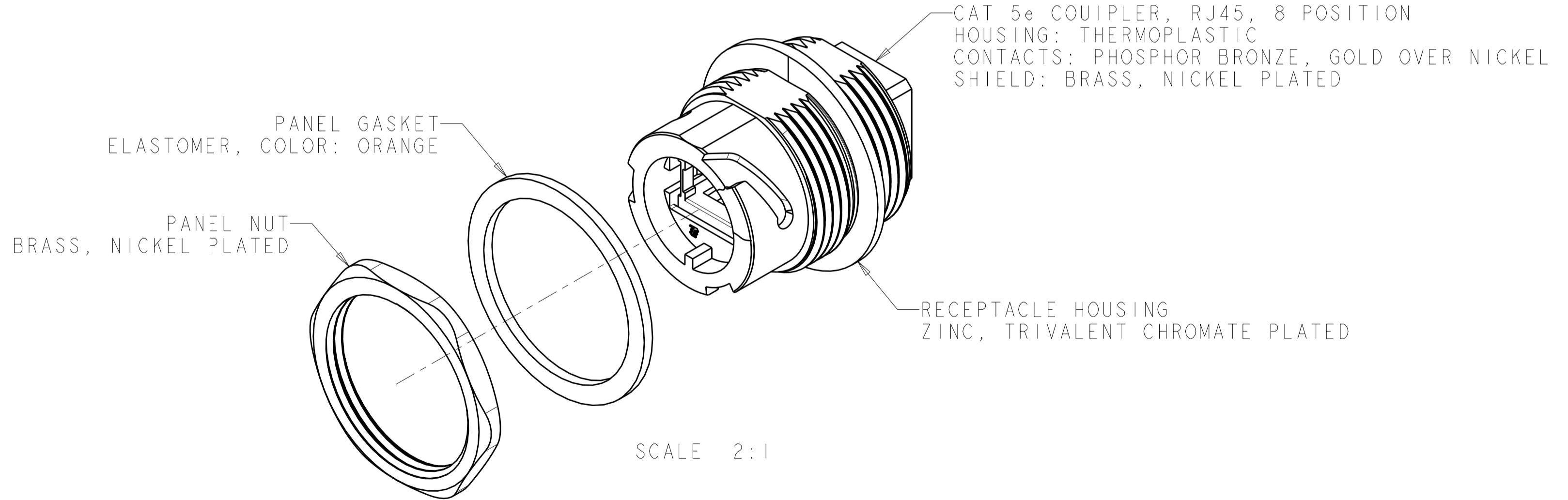
THIS DRAWING IS UNPUBLISHED. RELEASED FOR PUBLICATION 20
 BY TYCO ELECTRONICS CORPORATION. ALL RIGHTS RESERVED.

查询"2008615-1"供应商

LOC		DIST		REVISIONS			
P	LTR	DESCRIPTION	DATE	DWN	APVD		
	AI	REVISED PER ECO-09-010030	24APR2009	SS	MS		



RECOMMENDED PANEL CUTOUT
 3.2mm MAXIMUM PANEL THICKNESS



SHIELDED	2008615-2
UNSHIELDED	2008615-1
DESCRIPTION	PART NUMBER

- CONNECTOR MAY BE FRONT OR REAR PANEL MOUNTED. VIEWS SHOW PANEL NUT AND GASKET LOCATION FOR THE REAR PANEL MOUNTED VERSION.
- COUPLER LINES CROSSOVER BETWEEN POSTS.
- PANEL NUT AND PANEL GASKET ARE PACKAGED UNASSEMBLED IN POLYBAG.

THIS DRAWING IS A CONTROLLED DOCUMENT FOR TYCO ELECTRONICS CORPORATION. IT IS SUBJECT TO CHANGE AND THE CONTROLLING ENGINEERING ORGANIZATION SHOULD BE CONTACTED FOR THE LATEST REVISION.		DWN S. WELDON 01APR2008	Tyco Electronics Harrisburg, PA 17105-3608	
DIMENSIONS: mm		CHK C. HERTZLER 01APR2008	NAME RECEPTACLE KIT, 8 POSITION INDUSTRIAL ETHERNET CONNECTOR	
TOLERANCES UNLESS OTHERWISE SPECIFIED: 0 PLC ±1.0 1 PLC ±0.2 2 PLC ±0.10 3 PLC ±0.000 4 PLC ±0.0000 ANGLES ± FINISH		APVD C. HERTZLER 01APR2008	RESTRICTED TO	
MATERIAL		PRODUCT SPEC	SIZE A200779	CAGE CODE C-2008615
		APPLICATION SPEC	DRAWING NO C-2008615	SCALE 3:1
		WEIGHT	SHEET 1	OF 1
		CUSTOMER DRAWING	REV A1	