

MSM7510

300 bps Full Duplex FSK Modem – ITU-T V.21

GENERAL DESCRIPTION

The MSM7510 is useful for the ITU-T V.21 modem, for examples, low cost built-in modems, telecontrol systems, home security systems, etc.

The family version, MSM7512B for ITU-T V.23, will be available following this device.

Oki has been mass-producing and delivering the MSM6926 and 6927 for a long time, but these devices need two power supplies, +5 V for digital and +12 V for analog.

New generation devices, MSM7510/7512B, work with single rail +3 V to +5 V and low power consumption.

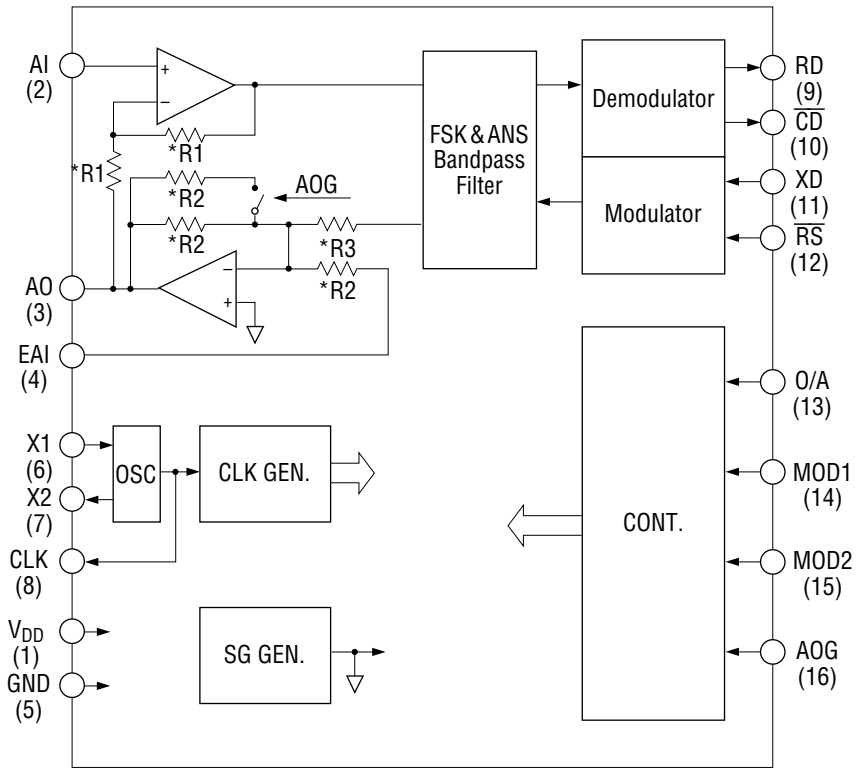
FEATURES

- Conforms to ITU-T V.21, 300 bps Full Duplex
- ITU-T V.25 Answer Tone (2100 Hz) with Generator/Detector
- Single Power Supply : +3 V to +5 V
- Low Power Consumption
 - Operating Mode: 25 mW Typ.
 - Power Down Mode : 0.1 mW Max.
- Line Hybrid Circuit on Chip (direct drive capability of 600Ω)
- ALB (Analog-Loop back) with test mode.
- 3.579545 MHz Crystal Oscillator
- Digital Interface: TTL
- Package options:

16-pin plastic DIP	(DIP16-P-300-2.45)	(Product name: MSM7510RS)
24-pin plastic SOP	(SOP24-P-430-1.27-K)	(Product name: MSM7510GS-K)

[查询"MSM7510GS-K"供应商](#)

BLOCK DIAGRAM

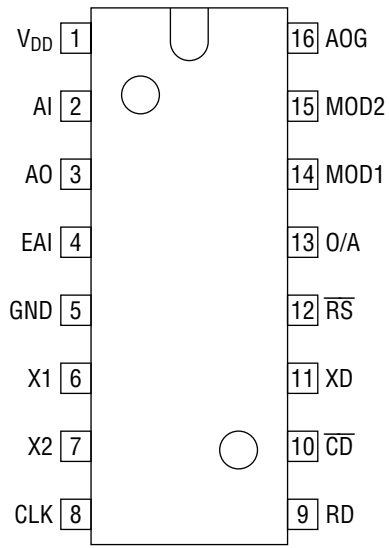


* R1 to R3 ≥ 50 kΩ

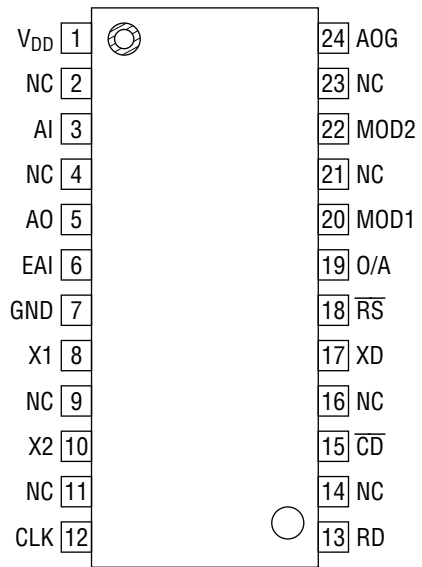
() : for MSM7510RS

[查询"MSM7510GS-K"供应商](#)

PIN CONFIGURATION (TOP VIEW)



16-Pin Plastic DIP



24-Pin Plastic SOP

NC: No connect pin

[查询"MSM7510GS-K"供应商](#)

PIN DESCRIPTION

No.		Name	I/O	Description
RS	GS-VK			
1	1	V _{DD}	—	+3 V to +5 V Power Supply
2	3	AI	I	Analog receive signal input.
3	5	AO	O	Analog transmit signal output.
4	6	EAI	I	External analog signal input. The signal applied to this pin is transmitted from AO via transmit output amplifier. When not using this pin, it should be left opened.
5	7	GND	—	Ground, 0 V.
6	8	X1	I	3.579545 MHz crystal resonator should be connected to X1 and X2. When applying external clock 3.579545 MHz to the device, it should be applied to X2 (not X1) via an AC-coupling capacitor of 100 pF and X1 has to be opened.
7	10	X2	O	
8	12	CLK	O	3.579545 MHz clock signal output.
9	13	RD	O	Modem receive serial data output. Digital "1" and "0" correspond to "Mark" and "Space", respectively. When \overline{CD} (Carrier Detect) is off, RD is held at "Mark" state.
10	15	\overline{CD}	O	FSK receive signal and answer tone detect. Digital "0" and "1" represent "Detect" and "Non-detect", respectively.
11	17	XD	I*	Modem transmit serial data input. Digital "1" and "0" correspond to "Mark" and "Space", respectively.
12	18	\overline{RS}	I*	FSK signal and answer tone transmit enable. When digital "0" is applied to \overline{RS} , transmitting becomes enable.
13	19	O/A	I*	Originate/Answer mode select. Digital "1" → Originate mode Digital "0" → Answer mode
14	20	MOD1	I*	Operation mode select. Refer to Table 1.
15	22	MOD2	I*	
16	24	AOG	I*	Analog transmit signal amplitude select. Digital "1" → -10 dBm Typ. at AO Digital "0" → -4 dBm Typ. at AO

Note : I* : Internally pulled-up input pin.

[查询"MSM7510GS-K"供应商](#)

ABSOLUTE MAXIMUM RATINGS

Parameter	Symbol	Condition	Rating	Unit
Power Supply Voltage	V_{DD}	$T_a = 25^\circ\text{C}$,	-0.3 to +7	V
Input Voltage	V_{IN}	With respect to GND	-0.3 to $V_{DD} + 0.3$	V
Storage Temperature	T_{STG}	—	-55 to +150	$^\circ\text{C}$

RECOMMENDED OPERATING CONDITIONS

Parameter	Symbol	Condition	Min.	Typ.	Max.	Unit	
Power Supply Voltage	V_{DD}	—	+2.7	—	+5.5	V	
Operating Temperature	T_{op}	—	-40	—	+85	$^\circ\text{C}$	
Input Clock Frequency	f_{CLK}	To 3.579545 MHz	-0.1	—	+0.1	%	
V_{DD} Bypass Capacitor	C_{VDD}	$V_{DD} - \text{GND}$	10	—	—	μF	
Crystal	Oscillation Frequency	—	—	3.579545	—	MHz	
	Frequency Deviation	—	+25 $^\circ\text{C}$ \pm 5 $^\circ\text{C}$	-100	—	+100	ppm
	Temperature Characteristics	—	-40 $^\circ\text{C}$ to +85 $^\circ\text{C}$	-50	—	+50	ppm
	Equivalent Series Resistance	—	—	—	—	50	Ω
	Load Capacitance	—	—	—	16	—	pF

ELECTRICAL CHARACTERISTICS

DC Characteristics

($V_{DD} = +2.7\text{ V to }+5.5\text{ V}$, $T_{op} = -40^\circ\text{C to }+85^\circ\text{C}$)

Parameter	Symbol	Condition	Min.	Typ.	Max.	Unit
Power Supply Current	I_{DD}	Operating Mode	—	5.0	10.0	mA
	I_{SS}	Power Down Mode	—	5.0	20.0	μA
Digital Input Voltage	V_{IL}	—	0	—	0.8	V
	V_{IH}	—	2.2	—	V_{DD}	V
Digital Input Leakage Current	I_{IL}	$V_I = 0\text{ V}^*$	-80	—	10	μA
	I_{IH}	$V_I = 5\text{ V}$	-10	—	10	μA
Digital Output Voltage	V_{OL}	$I_{OL} = 1.6\text{ mA}$	0	0.2	0.4	V
	V_{OH}	$I_{OH} = -0.4\text{ mA}$	2.4	—	V_{DD}	V

* Internally pulled-up pins

AC Characteristics

Modulator/analog output (AO) characteristics

(V_{DD} = +2.7 V to +5.5 V, Top = -40°C to +85°C)

Parameter	Symbol	Condition	Min.	Typ.	Max.	Unit	
FSK Transmit Signal Frequency	f _{OM}	Originate Mode	XD = "1"	976	980	984	Hz
	f _{OS}		XD = "0"	1176	1180	1184	Hz
Signal Frequency	f _{AM}	Answer Mode	XD = "1"	1646	1650	1654	Hz
	f _{AS}		XD = "0"	1846	1850	1854	Hz
V. 25 Answer Tone Frequency	f _{AST}	Answer Tone Mode $\overline{RS} = "0"$	2096	2100	2104	Hz	
FSK Transmit Signal, Answer Tone Amplitude	V _{AO1}	AO	AOG = "0"	-6	-4	-2	dBm
	V _{AO2}		AOG = "1"	-12	-10	-8	dBm
Analog External Input Signal Gain	V _{EA1}	V _{AO} - V _{EAI}	AOG = "0"	-2	0	2	dB
	V _{EA2}		AOG = "1"	-8	-6	-4	dB
FSK Transmit Signal Amplitude Ratio	V _{AOD}	V _{AO} (MARK) - V _{AO} (SPACE)	-2	0	2	dB	
Out-of-band Energy	V _{SPS}	P : In-band Signal Energy (0.3 kHz to 3.4 kHz)	4 kHz to 8 kHz	—	—	P-20	dB
			8 kHz to 12 kHz	—	—	P-20	dB
			More than 12 kHz	—	—	P-60	dB
Output Offset Voltage	V _{OFF}	To V _{DD} /2	-150	—	+150	mV	
Output Load Resistance	R _{AO}	—	600	—	—	Ω	

* 0 dBm = 0.775 V_{rms}

[查询"MSM7510GS-K"供应商](#)

Demodulator/analog input (AI, EAI) characteristics

($V_{DD} = +2.7\text{ V to }+5.5\text{ V}$, $T_{op} = -40^{\circ}\text{C to }+85^{\circ}\text{C}$)

Parameter	Symbol	Condition		Min.	Typ.	Max.	Unit
Receive Signal Amplitude	V_{AI}	FSK Signal, at AI		—	—	-6	dBm
Receive Signal Detect Amplitude (\overline{CD})	V_{ON}	FSK Signal, at AI	OFF → ON	—	—	-42	dBm
	V_{OFF}	I/O Alternative Pattern	OFF → OFF	-48	—	—	dBm
Hysteresis (\overline{CD})	V_{HYS}	$V_{ON} \rightarrow V_{OFF}$		—	2	—	dB
\overline{CD} Delay Time	t_{CDD}	See Fig. 1		5	15	20	ms
\overline{CD} Hold Time	t_{CDH}	FSK Signal, Answer Tone		20	40	60	ms
Receive Data (\overline{RD}) Bias Distortion	D_{BS}	300 bps, I/O Alternative Pattern		-10	—	10	%
Answer Tone Detect (\overline{CD}) Freq.	f_{ASR}	2100 Hz		-20	—	20	Hz
Answer Tone Detect, Non-Detect Amplitude (\overline{CD})	V_{AON}	Detect, at AI		-46	—	-6	dB
	F_{AOF}	Non-Detect, at AI		—	—	-60	
Input Resistance	R_{AI}	AI		—	10	—	M Ω
	R_{EAI}	EAI		20	—	—	k Ω

* 0 dBm = 0.775 Vrms

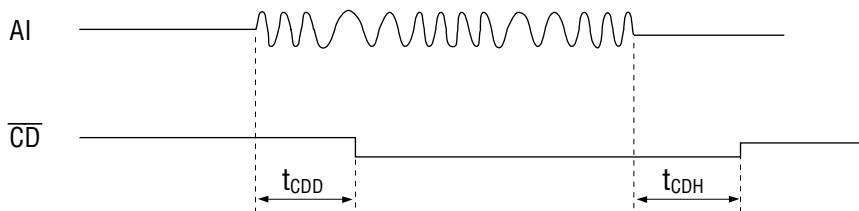


Figure 1 Carrier Detect (\overline{CD}) Timing

[查询"MSM7510GS-K"供应商](#)

OPERATION MODE

Table 1 Operation Mode

MOD2	MOD1	Mode
0	0	FSK Modem Normal Mode (Fig.2)
0	1	Analog Loop Back Test Mode (Fig.3)
1	0	Answer Tone Transmit/Detect Mode*
1	1	Power Down Mode

* Answer Tone Transmit: $\overline{RS} = "0"$ → Enable
 $\overline{RS} = "1"$ → Disable
 Answer Tone Detect: Detect → $\overline{CD} = "0"$
 Non-detect → $\overline{CD} = "1"$

When transmitting the answer tone, \overline{CD} is held at digital "1".

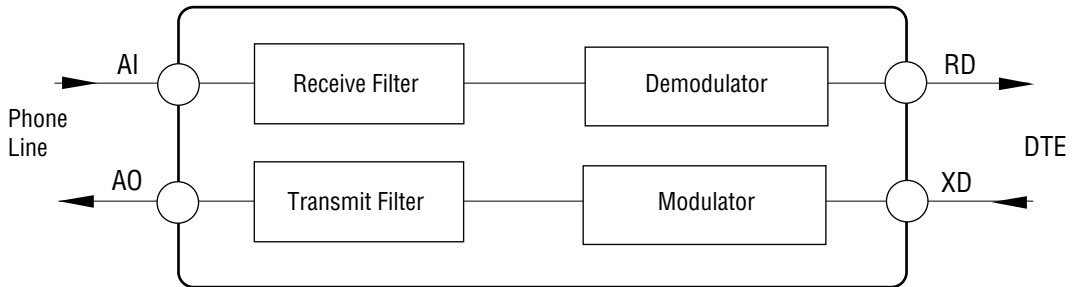


Figure 2 FSK Modem Normal Mode

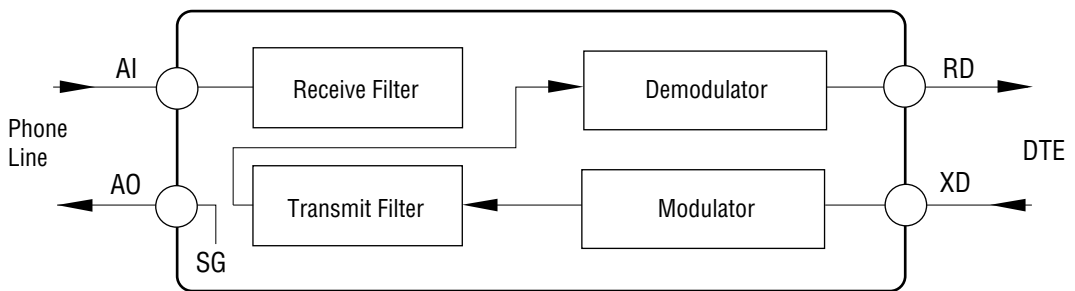
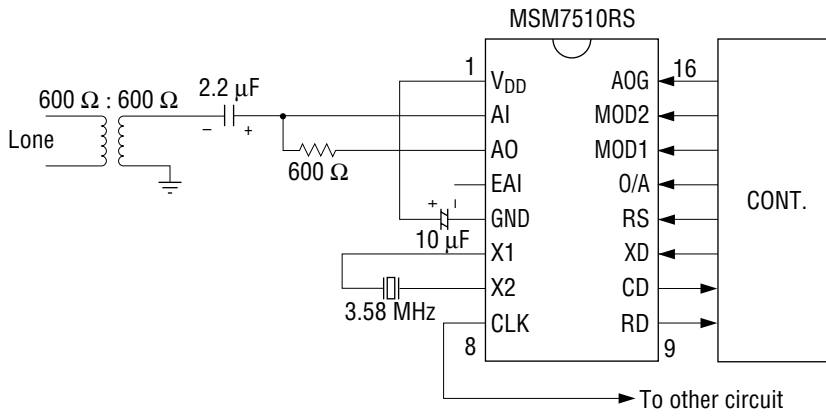


Figure 3 Analog Loop Back Test Mode

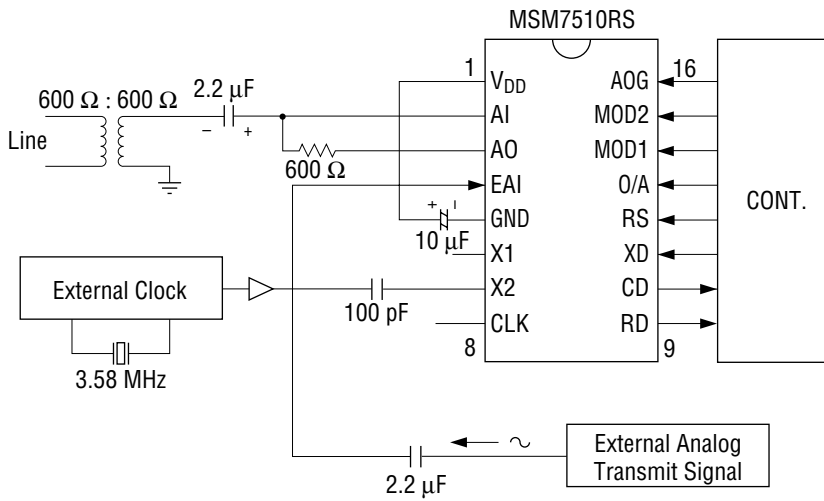
[查询"MSM7510GS-K"供应商](#)

APPLICATION CIRCUIT

①



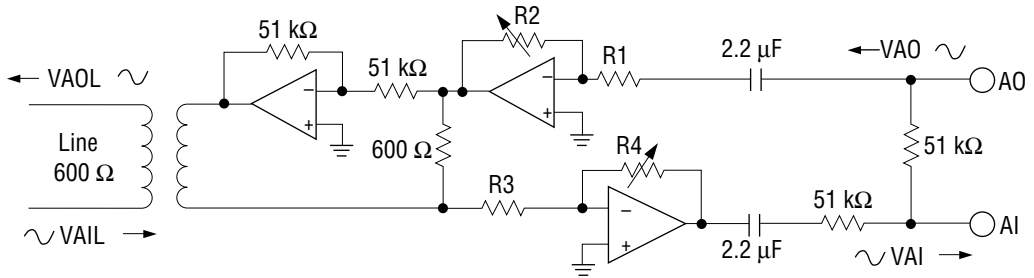
②



[查询"MSM7510GS-K"供应商](#)

An Example of the External Adjustment for a Transmitting Level and Detecting Level

If you desire to change the transmitting level or detecting level, adjust the external circuit by referring to the following circuit.

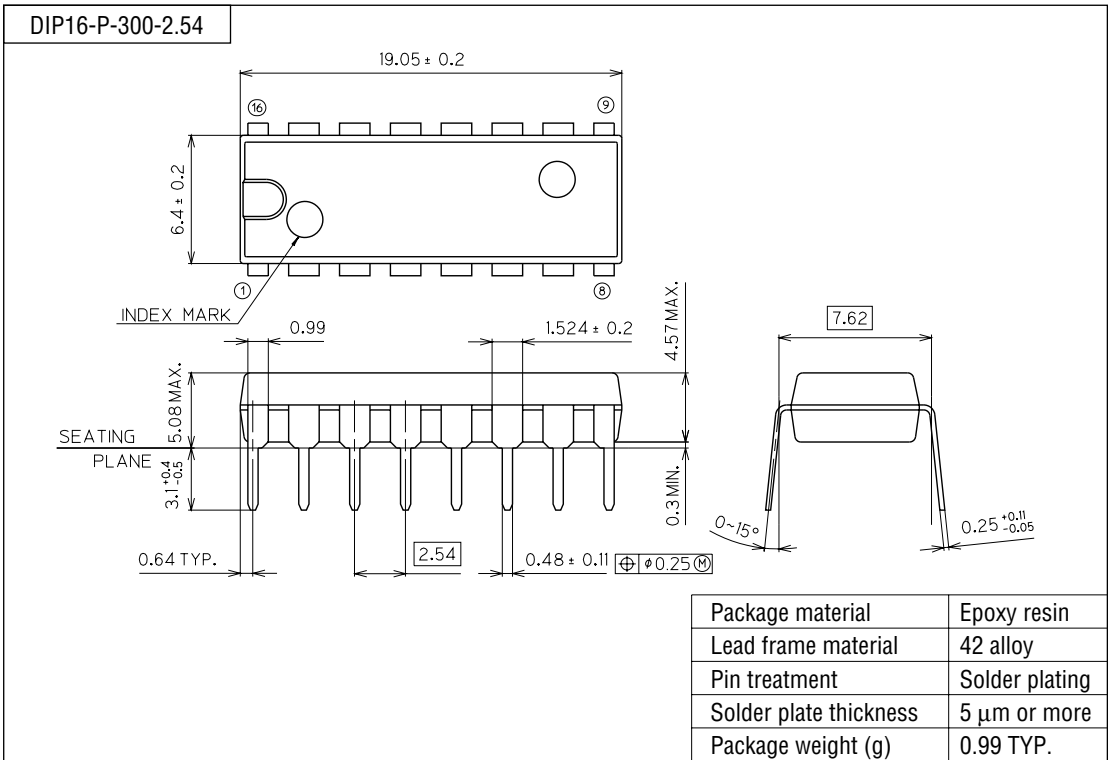


Line transmitting level : $V_{AOL} = V_{AO} \times (R2/R1)$
 IC input level : $V_{AI} = V_{AIL} \times (R4/R3)$

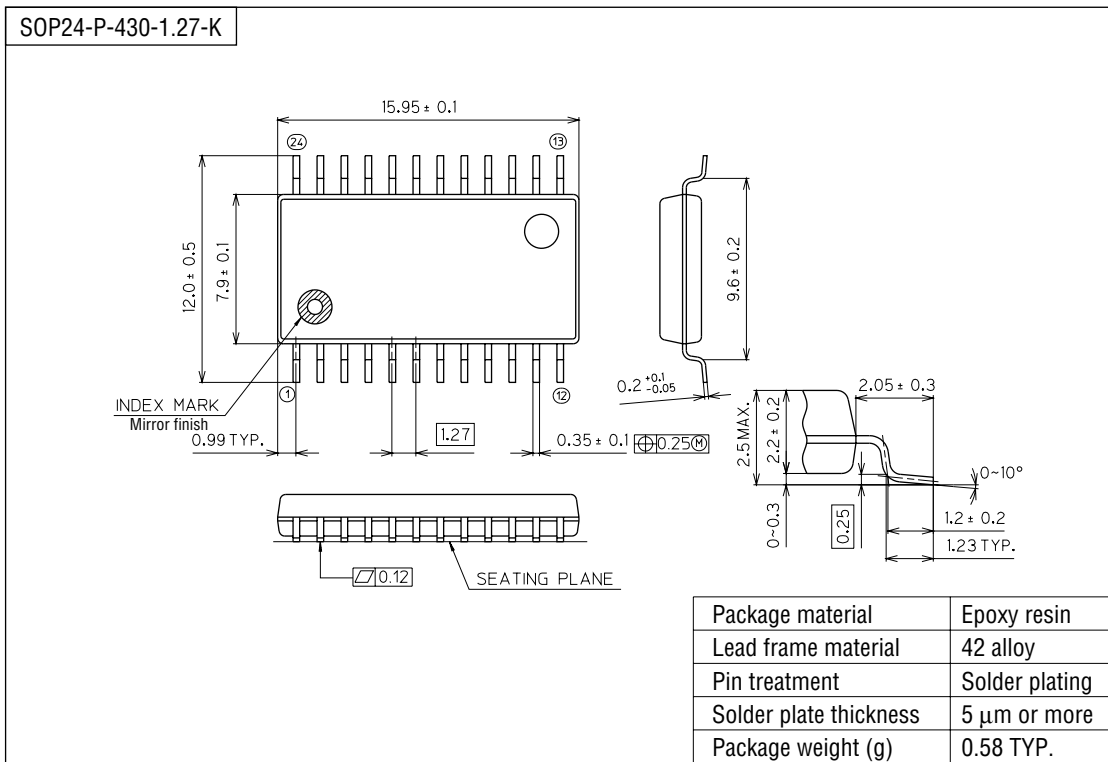
[查询"MSM7510GS-K"供应商](#)

PACKAGE DIMENSIONS

(Unit : mm)



(Unit : mm)



Notes for Mounting the Surface Mount Type Package

The SOP, QFP, TSOP, SOJ, QFJ (PLCC), SHP and BGA are surface mount type packages, which are very susceptible to heat in reflow mounting and humidity absorbed in storage. Therefore, before you perform reflow mounting, contact Oki's responsible sales person for the product name, package name, pin number, package code and desired mounting conditions (reflow method, temperature and times).