

CSC0101A

Dual PS/2 to USB Data Converter Controller

Features

- ◆ Interface legacy PS/2 devices to USB
- ◆ Provides two PS/2 port
- ◆ PS/2 ports support 3 dimensions 3keys wheel mouse and multimedia keyboard function
- ◆ No driver needed
- ◆ Hot pluggable
- ◆ USB Specification 1.1 low-speed compliant
- ◆ PS/2 ports are auto selectable and hot swappable
- ◆ Mice or keyboard can be used in either port without limitation
- ◆ Cost-effective and easy to implement for PS/2 to USB bridge solution
- ◆ SOP-16 package or dice form

Introduction

The CHESEN CSC0101A is an integral micro-controller for converting PS/2 interface signal to USB applications, which includes 8 bits high performance micro-controller core, combined USB1.1 low-speed interface and dual PS/2 handler module. It is ideal for the legacy system support, enabling seamless connections of traditional PS/2 interfaces devices of mouse and keyboard to USB.

The CSC0101A is a USB 1.1 low-speed compliant device that interfaces to PS/2, it support the Human Interface Device (HID) class specification. The CSC0101A handles the merging of the PS/2 data and sends the data to the host system via the USB port.



Specifications

8-bits Controller Core:

- ◆ 8 bits 65C02 controller
- ◆ 6MHz external ceramic resonator
- ◆ 3MHz internal CPU clock
- ◆ One 8-bits timer / counter
- ◆ Support power saving mode
- ◆ Built in power on reset with watchdog function

Memory:

- ◆ 8K byte internal ROM
- ◆ 256 byte internal RAM

USB Port:

- ◆ Fully compliant to USB 1.1 specification
- ◆ Conforms to USB HID specification, version 1.1
- ◆ Supports 1 low speed device address and 3 endpoints
- ◆ Integrated USB transceiver
- ◆ Build in 3.3V regulator
- ◆ 8 bytes FIFO for each endpoint
- ◆ Interface transfer rate: 1.5Mbits/sec

PS/2 Port:

- ◆ Suitable for legacy PS/2 interface keyboard, mouse, wireless peripheral or bar code reader
- ◆ Compatible with PS/2 protocol
- ◆ Two PS/2 ports
 - . Standard PS/2 keyboard with multimedia function
 - . Standard PS/2 3D/3Keys mouse
- ◆ Mice or keyboard can be used in either port

Miscellaneous:

- ◆ Works with PC Win98 SE, Win Millennium, Win 2000, Win XP Netware4.11, 5.0 HP Unix, Linux, Apple computer MAC OS8.6 or higher and Sun Microsystems



CSC0101A

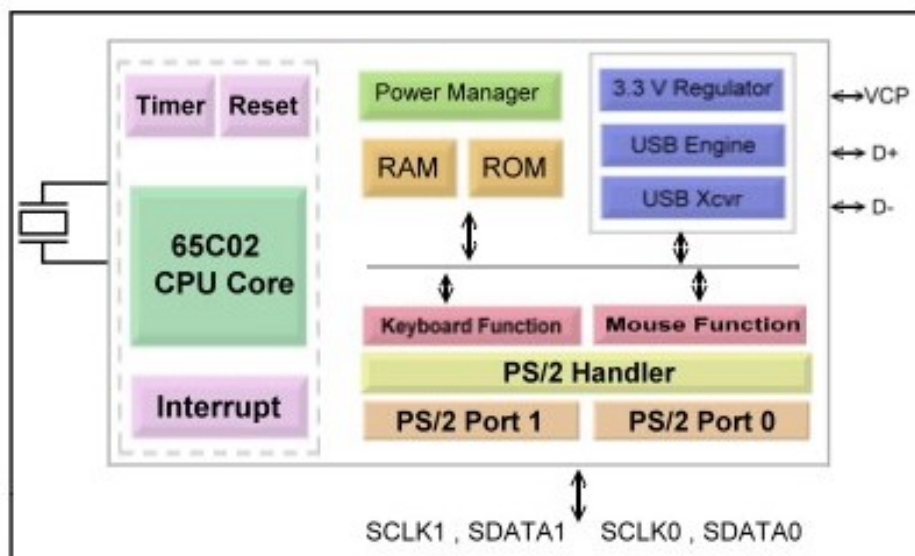
Dual PS/2 to USB Data Converter Controller

Applications

PS/2 Keyboard/Mouse to USB

PS/2 Barcode Reader to USB

Wireless PS/2 Keyboard/Mouse Set to USB



CSC0101A Functional Block Diagram

Copyright © 2004 CHESEN ELECTRONIC CORP. – All Right Reserved

TEL: 886-2-82265589

FAX : 886-2-82265181

WEBSITE: <http://www.chesen.com.tw>

MAIL: sales@mail.chesen.com.tw

SERVICE: service@mail.chesen.com.tw

RESOURCE: dcc@mail.chesen.com.tw

Contents and specification subject to change without notice. The CHESEN ELECTRONICS CORP. logo is a registered trademark of CHESEN ELECTRONICS CORP. Other brands of products are trademarks or registered trademarks of their respective holders. **B_CSC0101A_1.20**