

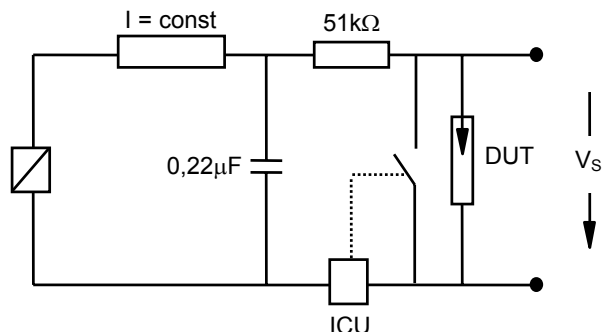
Nominal breakdown voltage V_N	5000	V
Initial values ²⁾		
Static breakdown voltage V_S ¹⁾		
First ignition value $V_{S, FTE}$ after 24 hours in darkness	≤ 7000	V
Following ignition values $V_{S, FIV}$	4850 ... 6150	V
Electrical life time ³⁾		
Breakdown voltage V_B		
First ignition value $V_{B, FTE}$ after 24 hours in darkness	$\leq 10\ 000$	V
Following ignition values $V_{B, FIV}$	4000 ... 6600	V
Switching operations at $-40 \dots +125\ ^\circ\text{C}$	500 000	Ignitions
Test circuit parameters		
Open circuit voltage V_0	10 000	V
Loading resistance R	4 000	k Ω
Discharge capacitance C	1.5	nF
Inductance L	0.5	μH
Discharge peak current I_P	~ 200	A
General technical data		
Insulation resistance at 100 V	> 100	M Ω
Early ignition values between 2000 ... 4000 V	≤ 5	%
Breakdown time	≤ 50	ns
Maximum switching frequency	100	Hz
Weight	~ 2	g
Marking, blue	EPCOS 5000 YY O Δ	
	5000 - Nominal voltage	
	YY - Year of production	
	O - Non radioactive	
	Δ - Without humidity protection film	

¹⁾ At delivery AQL 0,65 level II, DIN ISO 2859

²⁾ Page 2, Fig. 1 and 2

³⁾ Page 2, Fig. 3 and 4

Fig. 1: QC- test circuit (100% outgoing inspection)



DUT device under test
 ICU ignition control unit (sensitivity 10 .. 30 μA)
 Discharge current 10 – 20 mA

Fig. 2: Explanation of measurands

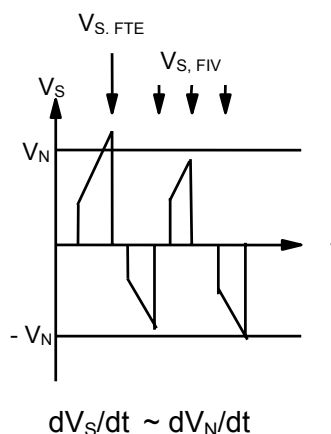


Fig. 3: QC- test circuit (sampling inspection at 25 °C)

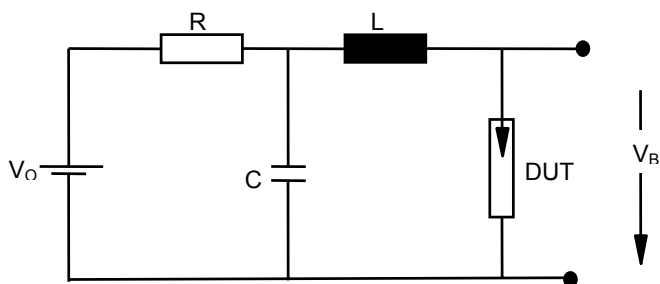
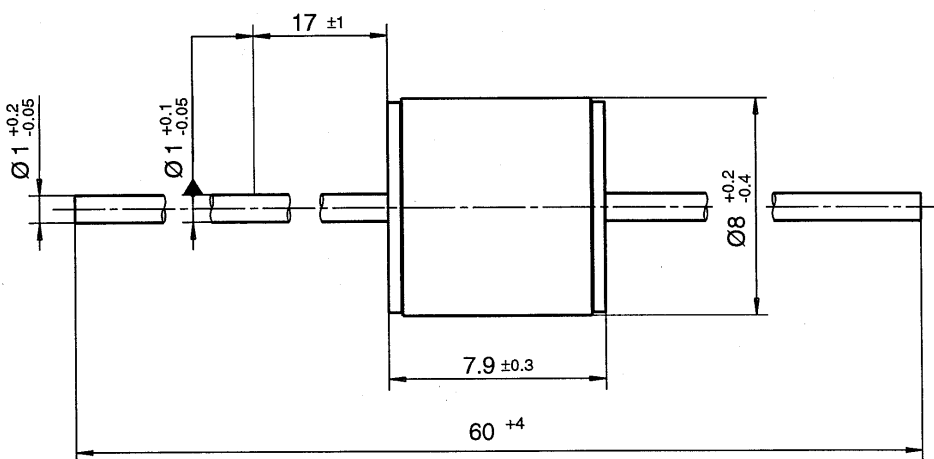
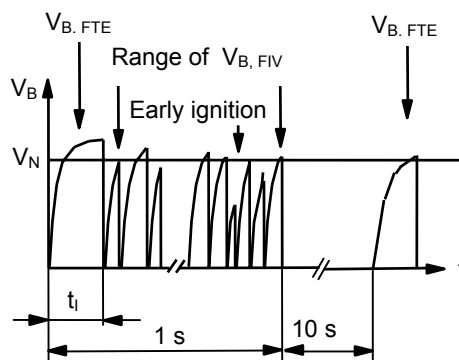


Fig. 4: Explanation of measurands



Not to scale
 Dimensions in mm
 Non controlled document

© EPCOS AG 2002. Reproduction, publication and dissemination of this data sheet, enclosures hereto and the information contained therein without EPCOS' prior express consent is prohibited.

Purchase orders are subject to the General Conditions for the Supply of Products and Services of the Electrical and Electronics Industry recommended by the ZVEI (German Electrical and Electronic Manufacturers' Association), unless otherwise agreed.

This datasheet has been downloaded from:

www.EEworld.com.cn

Free Download

Daily Updated Database

100% Free Datasheet Search Site

100% Free IC Replacement Search Site

Convenient Electronic Dictionary

Fast Search System

www.EEworld.com.cn