

[查询"640-434.0M"供应商](#)

Data Sheet

Series Number
640Package
T0-39Description
One-Port 180° SAWLast Modified
Jan. 01 2002

Product Category: Ceramic Resonator

telephone
949 252 0522

BACK

FEATURES

- Quartz Stability
- Industry standard package



OPERATING CONDITIONS / ELECTRICAL CHARACTERISTICS

PARAMETERS	SYMBOL	CHARACTERISTICS	UNITS
Center Frequency	Fc	260.0 ~ 980.0 ±0.075	MHz
Insertion Loss	IL	1.5	dB
Unloaded Q	-	12000	-
50 Ohms Loaded Q	-	2000	-
Turnover Temperature	To	35	°C
Freq. Temp. Coefficient	FTC	0.037	PPM/°C
Frequency Aging	fA	10 max. typ.	PPM/Y
DC Insulation Resistance	Between any 2 pins	1 min.	Mohm
Turnover Frequency	Fo	Fc ±1.3	KHz
Operating Temperature	T _{OPR}	-10 to +60	°C
Package	-	T0-39	-



[查询"640-434.0M"供应商](#)
PACKAGE DIMENSIONS (mm)

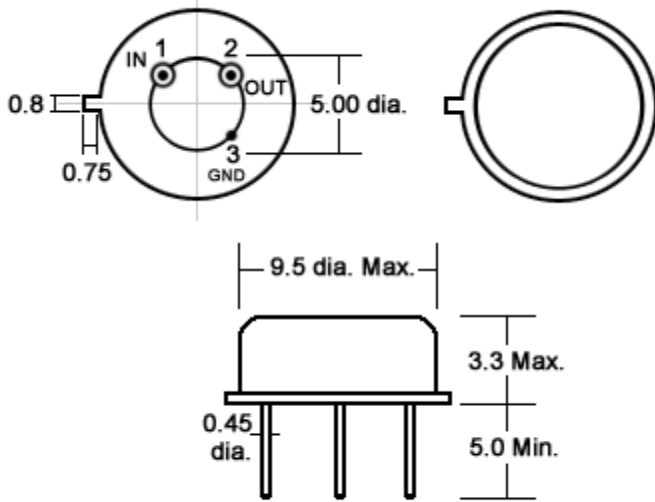


Figure 1) Top, Side, and Bottom Views

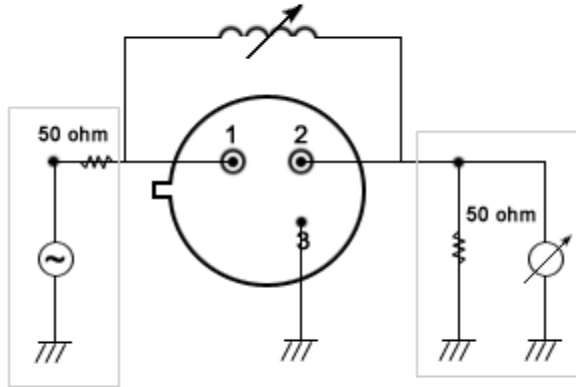


Figure 2) Test Circuit

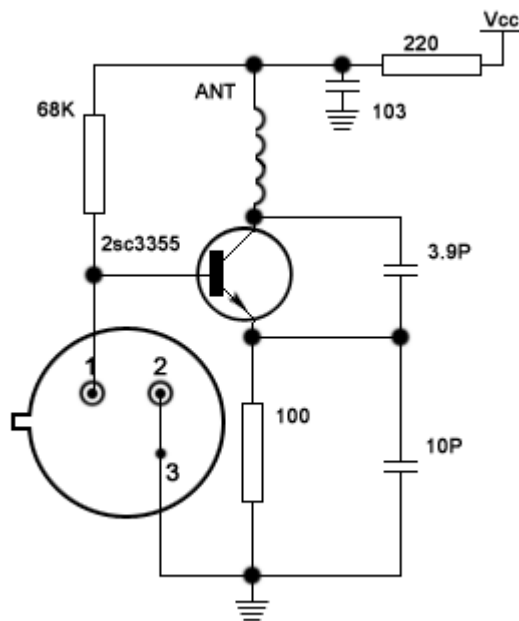


Figure 3) Application Circuit

PART NUMBER GUIDE

Part Number	Frequency	Part Number	Frequency
640-260.0M	260.0 MHz	640-418.0M	418.0 MHz
640-303.825M	303.825	640-423.0M	423.0
640-303.875M	303.875	640-423.22M	423.22
640-304.3M	304.3	640-433.42M	433.42
640-310.0M	310.0	640-433.92M	433.92
640-314.5M	314.5	640-434.0M	434.0
640-315.0M	315.0	640-479.5M	479.5

查询"640-434.0M"供应商	318.0	640-886.0M	886.0
640-318.0M	318.0	640-912.0M	912.0
640-360.0M	360.0	640-916.5M	916.5
640-384.05M	384.05	640-980.0M	980.0
640-395.0M	395.0		

NOTE: Deviations on all parameters available. Please consult Oscilent for details.

DEFINITIONS: Click on the characteristic names above, for definitions of the particular characteristic.

Oscilent Corporation - CALL **949.252.0522**

Series No.: 640

17962 Sky Park Circle , Building D , Irvine , CA 92614 , USA
 Fax: 949.252.0599 , E-Mail: Sales@Oscilent.com

Crystal Oscillators | Quartz Crystal | TCXO | VCXO | IF SAW Filter | RF SAW Filter | Ceramic Resonator
 Crystal Filter | Ceramic Filter | SAW Filter / SAW Devices | Site Map