

479-445 to 479-500

查询"53001699"供应商

Weller Electronic

Founded in 1945, Weller has become the world's leading manufacturer of soldering and desoldering equipment for the electronics industry. Weller offer an extensive range of electronically controlled equipment suited to today's fast moving technology. A wide range of Weller 'Longlife' tips for all applications with a full range of spares and accessories complete this comprehensive range.

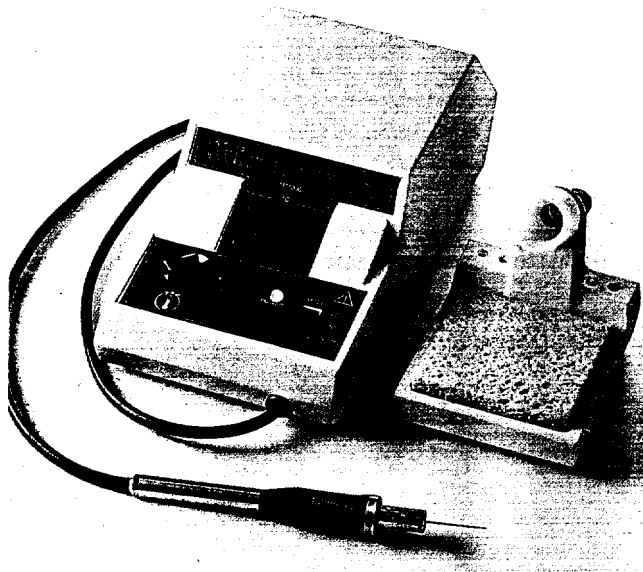
"Cooper Tools is registered as a firm of assessed capability against BS EN ISO 9002 1994. Items indicated ★ are manufactured under those quality requirements.

Products marked ★★ meet the static decay requirements of STD 2000-1 BS EN 100015-1 1992.



Certificate No. Q5553

MT1000 Microtouch soldering station



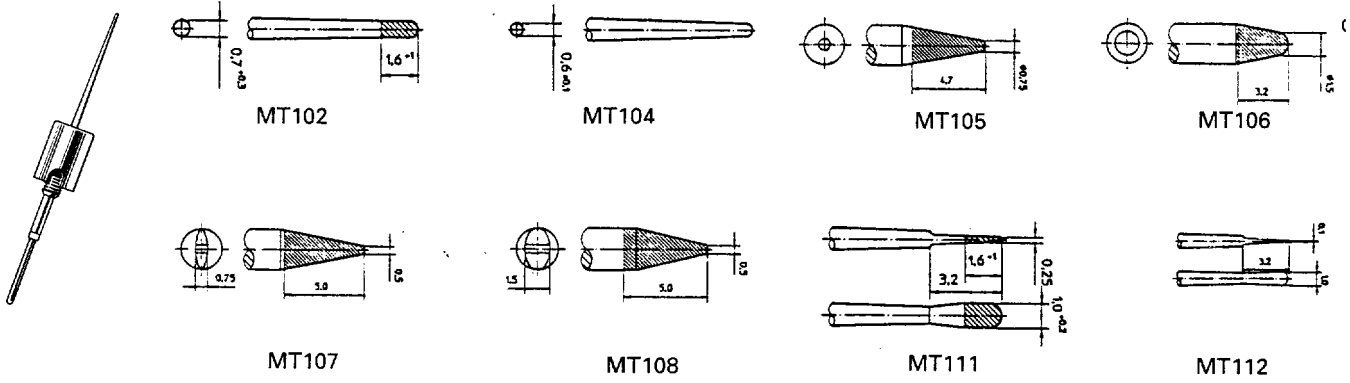
Today's soldering applications demand higher precision and accurate quick temperatures. The Weller® Microtouch delivers just that with a needle size micro tip that reaches its set point in just 1-2 seconds and is made from strong, long lasting stainless steel.

The heater and sensor are encapsulated in the tip allowing for a shorter handle and better control in tight areas. The advanced conduction power band powers up the iron when picked up, to ensure immediate tip response. Adjustable temperature, digital display and an optional foot switch control completes the technology.

★★

Cat. No.	Description	V	
MT1000D	Station with digital display	230V	MT102 fitted as standard

MT Tips



Cat. No.	Description
MT102	Std
MT104	Non wetting
MT105	Mini tip pointed, tip radius
MT106	Mini tip pointed, tip radius
MT107	Mini tip chisel, tip width
MT108	Mini tip, chisel, tip width
MT111	Micro tip, fine
MT112	Micro tip, ultrafine, non-wetting