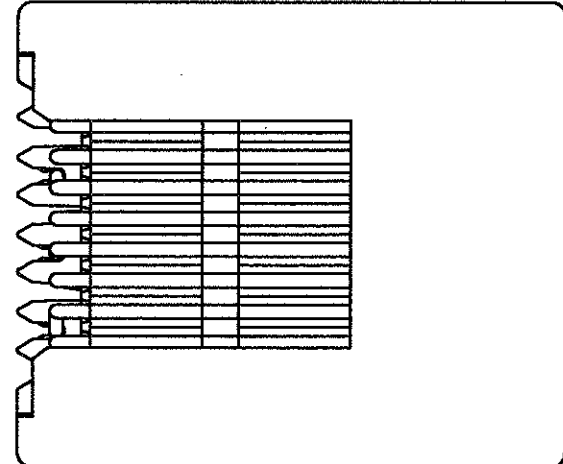
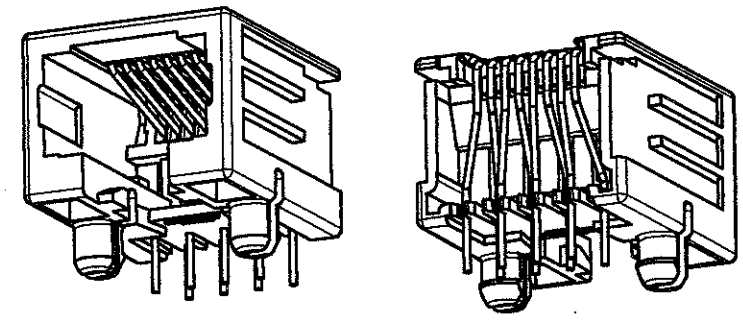


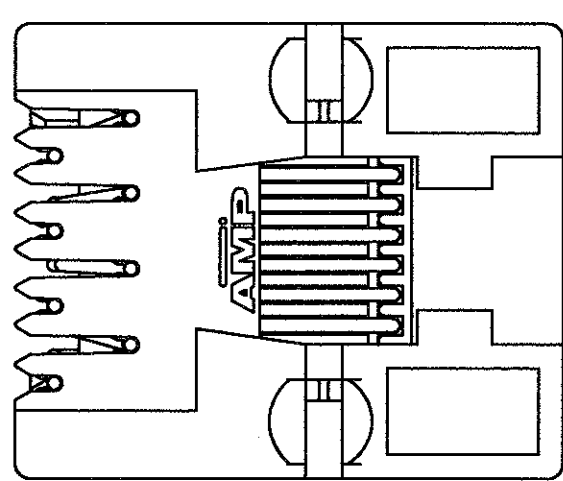
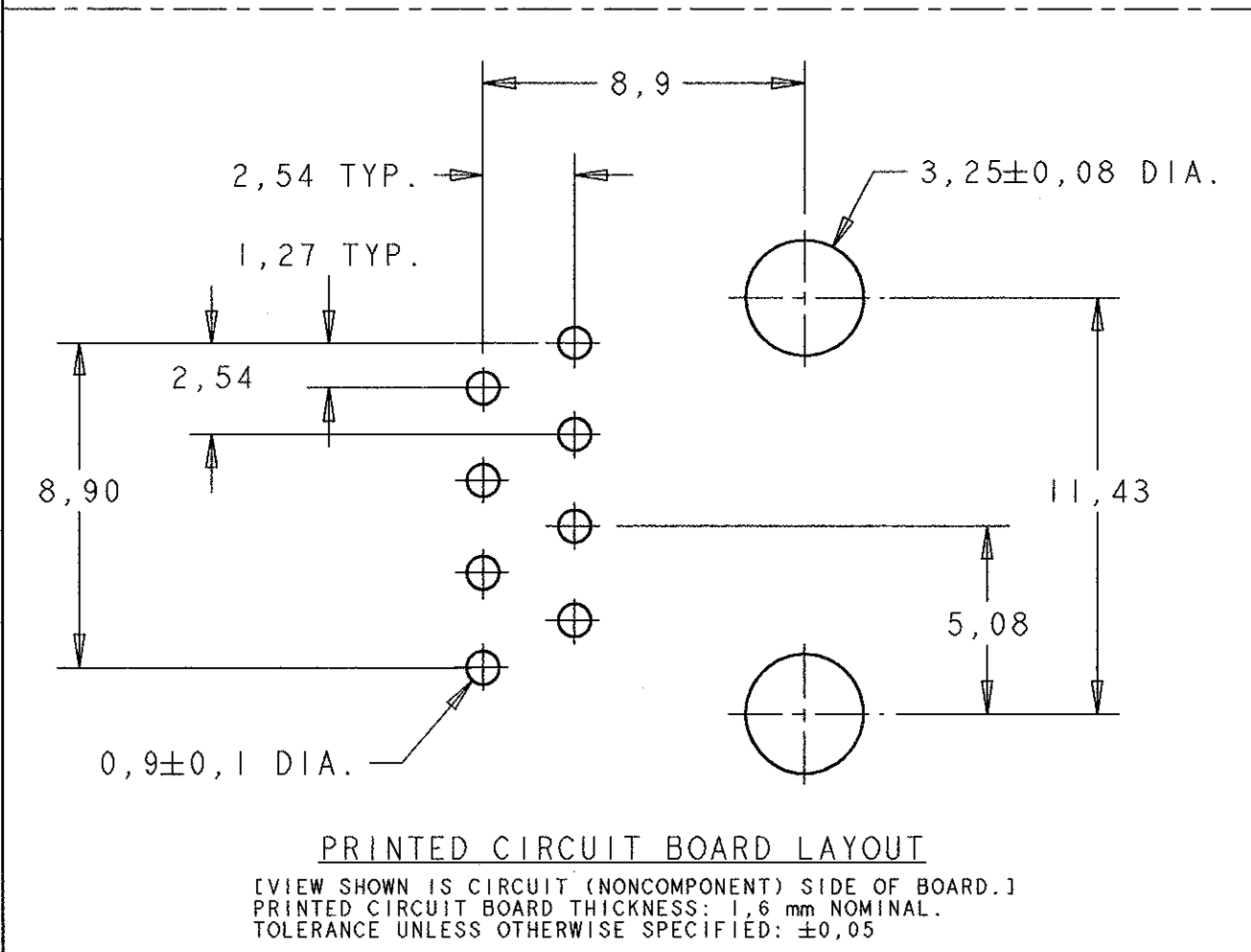
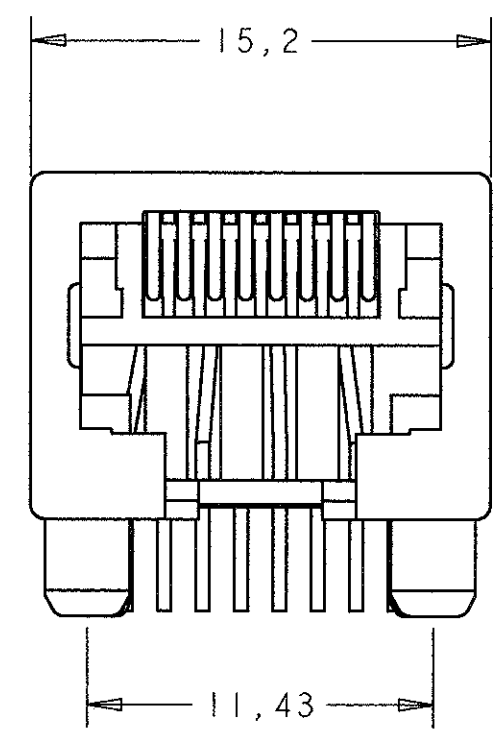
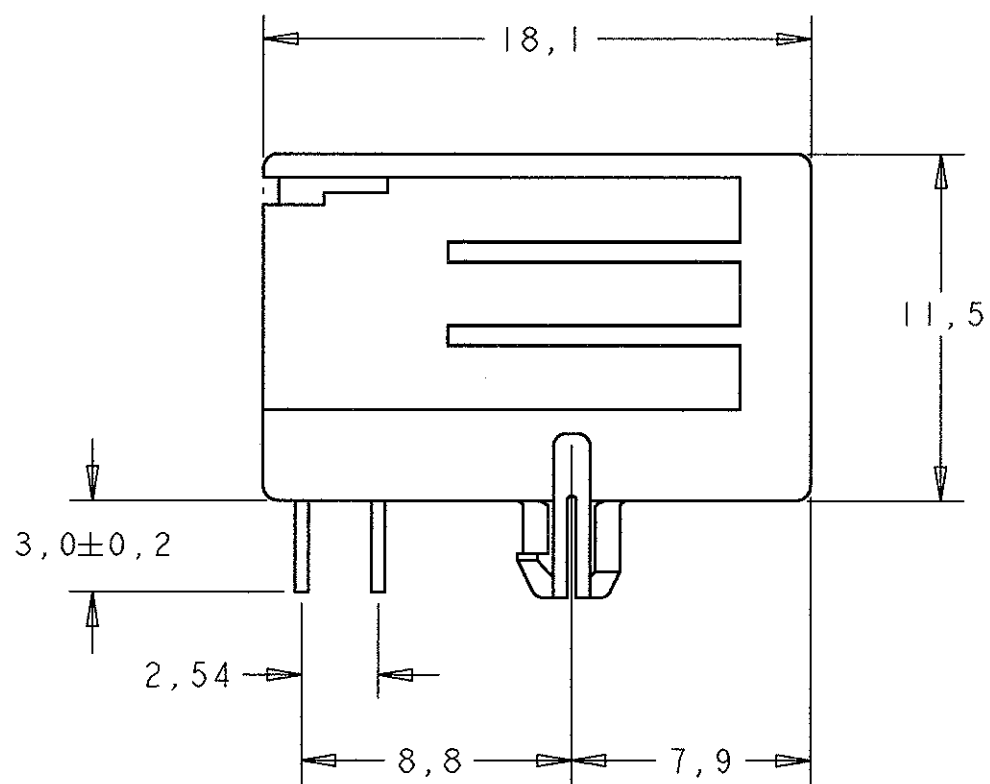
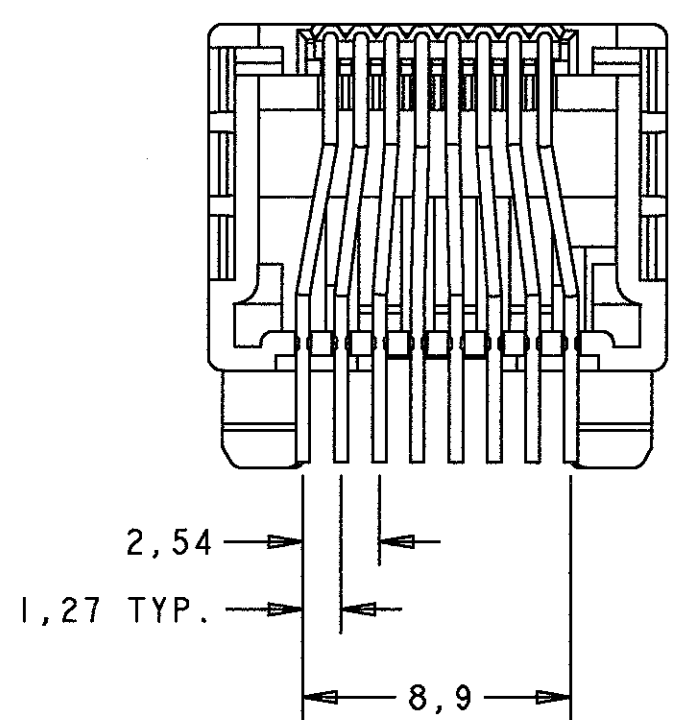
THIS DRAWING IS UNPUBLISHED. RELEASED FOR PUBLICATION DATE: -
 COPYRIGHT 98 BY AMP HOLLAND B.V. ALL RIGHTS RESERVED.
 查询 215877-1 供应商

LOC	DIST	REVISIONS			
		LTR	DESCRIPTION	DATE	APVD
H	-	U	EH-0667-97	6 AUG 97	MvE
		V	EH-1044-97	14 OCT 97	MvE
		Y	EH-0966-98	29 JUN 98	MvE
		Z	EH-2155-98	11 DEC 98	MvE



NOTES:

- 1 TOLERANCE UNLESS OTHERWISE SPECIFIED: $\pm 0,15$.
- 2 FOR THIS PACKAGING METHOD THE TRUE POSITION OF THE SOLDER TINES IS NOT GUARANTEED.



PACKAGING	REMARKS	FINISH	MATERIAL	ORDER NUMBER
1000 PIECES BULK PACKAGED	8 POS. / 8 CONTACTS	IN CONTACT AREA: 1,2 um MIN. SEL. GOLD OVER 1,2um MIN. NICKEL. SOLDER TINES: 2,5 um MIN. TIN-LEAD OVER 1,2 um MIN. NICKEL.	HOUSING COLOR: BLACK PBT, UL 94V-0 CONTACT INSERT: PBT, UL 94V-0 CONTACTS: PH BRONZE	2-215877-1
200 PIECES IN A TRAY				1-215877-3
90 PIECES IN MULTI-TUBE				1-215877-1
TAPE MOUNTED 700 PCS./REEL				215877-1

THIS DRAWING IS A CONTROLLED DOCUMENT FOR AMP HOLLAND B.V. IT IS SUBJECT TO CHANGE AND THE CONTROLLING ENGINEERING ORGANIZATION SHOULD BE CONTACTED FOR THE LATEST REVISION.		DWN EvEJJK	AMP 's-Hertogenbosch, The Netherlands		
DIMENSIONS: mm		CHK M.VESSEN			
TOLERANCES UNLESS OTHERWISE SPECIFIED:		APVD R. SMEETS	NAME MODULAR JACK SIDE ENTRY, 8 POS., FOR PRINTED CIRCUIT BOARD.		
0 PLC ± -		PRODUCT SPEC 108-19064	SIZE	CAGE CODE	DRAWING NO
1 PLC ± -		APPLICATION SPEC 114-19019	A2	00779	C-215877
2 PLC ± -		MATERIAL	WEIGHT	SCALE 4:1	SHEET 1 OF 1 REV Z
3 PLC ± -					
4 PLC ± -					
ANGLES ± 0,2°					
FINISH					