

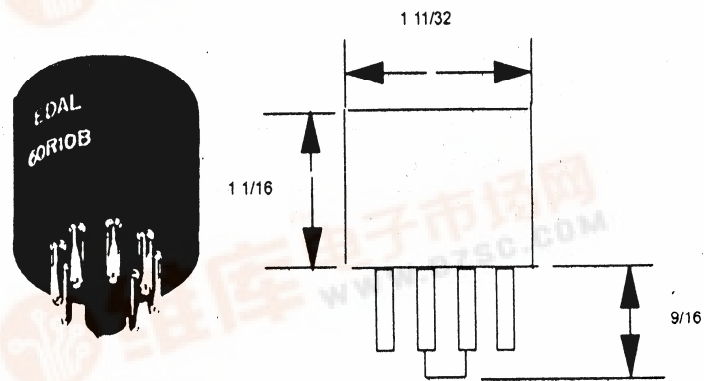
SERIES R

OCTAL SOCKET PLUG-IN SILICON RECTIFIER

In circuits calling for plug-in modules, Edal Series R silicon rectifiers offer compact design and efficient performance. As vacuum tube replacements, greater reliability and longer operating life are assured. Octal socket plug-ins contain double diffused passivated bulk avalanche junctions in a cold case design for high reliability. Electrical ratings indicate the high temperature resistance, low leakage current and low forward voltage drop. Plug-in silicon rectifiers are available in full wave, half wave, doubler, center tap, open bridge and three phase types. Voltage ratings range from 50 to 5000 volts PIV and currents from 100 mA to 6 amps. Other ratings in plug-in modules can be produced on request.

Electrical Ratings

Maximum Allowable DC Output Current:	
at 25 °C ambient temperature,	6.0 amps
at 100 °C ambient temperature,	3.0 amps
at 150 °C ambient temperature,	1.0 amps
Maximum Allowable One Cycle Surge Current: (60 cps single phase non-recurrent,	
at rated PRV and no load	250 amps
Maximum Full Load Forward Voltage Drop (150 °C full cycle average)	
	.6 volt
Maximum Reverse Current: (150 °C full cycle average)	
	5 mA
Storage Temperature and Operating Temperature	
	175 °C



SERIES R SPECIFICATIONS

CURRENT (TENS OF Ma)	SERIES DESIGNATION	PIV (HUNDREDS OF VOLTS)	Code	Circuit
100 mA	R	50	B	single phase bridge
to		to	C	single-phase center tap pos.
6 amp		5000	D	doubler
		volts	H	single phase half wave
			J	3 phase, half wave pos.
			K	3 phase, half wave neg.
			L	3 phase, bridge
			M	3 phase, center tap
			N	single phase, center tap, neg.
			U	open bridge, pos.

60

R

10

B

First number represents current in tens of milliamps, second is the series designation, third PIV in hundreds of volts, fourth code designation for circuit. 60 R 10 B, for example, signifies 600mA, Series R, 1000 volts PIV, single phase bridge circuit.

(203) 467-2591 TEL

(203) 469-5928 FAX

Email: Info@edal.com

Internet: http://www.edal.com

EDAL industries, inc.

51 Commerce St. East Haven, CT 06512



This datasheet has been downloaded from:

www.EEworld.com.cn

Free Download

Daily Updated Database

100% Free Datasheet Search Site

100% Free IC Replacement Search Site

Convenient Electronic Dictionary

Fast Search System

www.EEworld.com.cn