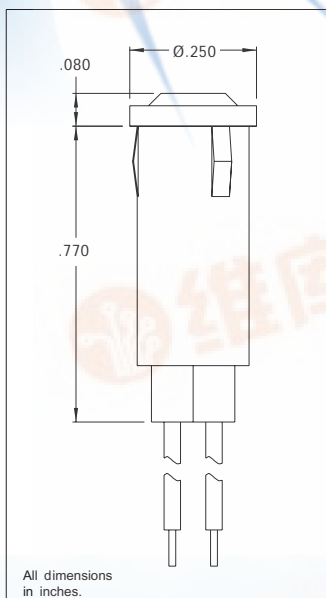


3990A Series Panel Mounted LED Indicator

DESCRIPTION AND FEATURES



Features

Mounting: Will snap-fit in Ø.217/.221 hole in panels .031/.062 thick.

Wire Leads: No.24 AWG, 4.4/4.8 long, stripped .430/.570

Anode(+): Red lead

Housing: White nylon

Lens: Polycarbonate

ELECTRO-OPTICAL CHARACTERISTICS

Part Number	Color	Typ. Intensity (mcd)	Rated Current (mA)	Continuous Forward Current Max. (mA)	Forward Voltage Typ. (V)	Forward Voltage Max. (V)	Peak Forward Current @1ms-300pps (A)	Reverse Break-down Voltage Min. (V)	
3990A1	Red	10	10	30	2.0	3.0	1.0	5	
3990A3	Amber	7	10	30	2.2	3.0	.09	5	
3990A5	Green	16	10	30	2.2	3.0	.09	5	
3990A7	Yellow	6.3	10	30	2.1	3.0	1.0	5	
3991A6-5V	Blue	Use #680 Incandescent Lamp-5V , .06A, 200,000 Hours							

