

查询"CTSLF0745TE-471M"供应商

## CTSLF0745 Series

From 2.2  $\mu\text{H}$  to 1000  $\mu\text{H}$



### CHARACTERISTICS

**Description:** SMD (shielded) power inductor

**Applications:** For power source circuits, low profile type DC to DC converters, DC to AC inverters etc.

**Operating Temperature:** -20°C to +85°C

**Inductance Tolerance:**  $\pm 20\%$

**Testing:** Inductance is tested on an HP4284A at specified frequency.

**IDC Current:** Value obtained when DC current flows and the initial value of inductance has fallen by 10%

**Itemp Current:** Value obtained when current flows and the temperature has risen to 20°C

**Packaging:** Tape & Reel

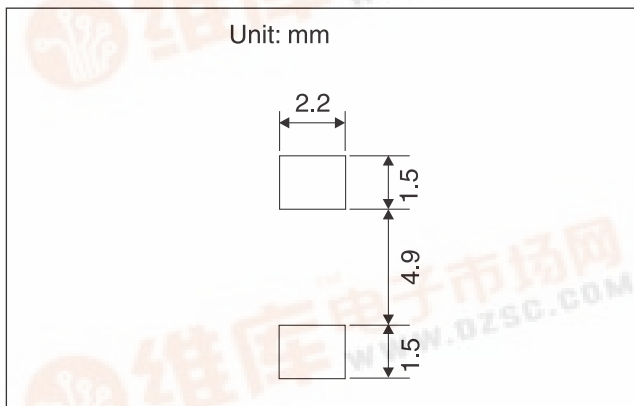
**Marking:** Parts are marked with inductance code

**Miscellaneous:** RoHS Compliant available. Magnetically shielded

**Additional Information:** Additional electrical & physical information available upon request

**Samples available. See website for ordering information.**

### PAD LAYOUT



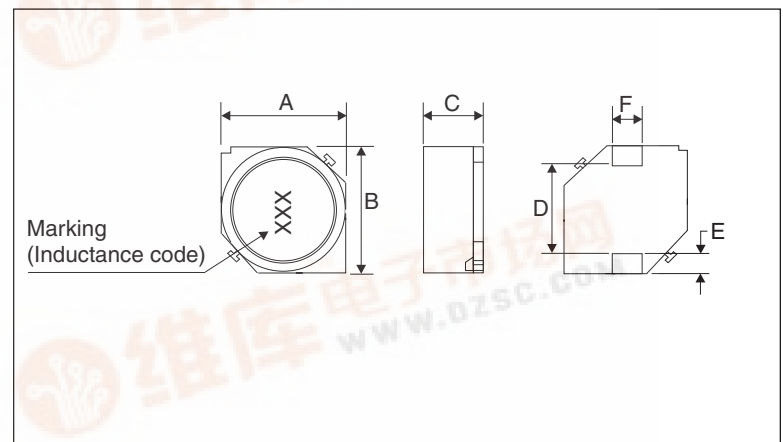
### SPECIFICATIONS

Parts are available in  $\pm 20\%$  tolerance only.  
CTSLF0745TE Please specify "F" for RoHS Compliant

Part Number	Inductance ( $\mu\text{H}$ )	L Test Freq. (kHz)	DCR $\pm 20\%$ ( $\Omega$ )	Rated DC (A)	Itemp Max. (A)
CTSLF0745T_-2R2M	2.2	100	0.033	3.2	3.2
CTSLF0745T_-3R3M	3.3	1.0	0.02	2.5	2.3
CTSLF0745T_-4R7M	4.7	1.0	0.03	2.0	2.1
CTSLF0745T_-6R8M	6.8	1.0	0.039	1.7	1.74
CTSLF0745T_-100M	10	1.0	0.036	1.3	1.78
CTSLF0745T_-150M	15	1.0	0.052	1.1	1.53
CTSLF0745T_-220M	22	1.0	0.061	0.9	1.34
CTSLF0745T_-330M	33	1.0	0.096	0.82	1.09
CTSLF0745T_-470M	47	1.0	0.125	0.75	0.92
CTSLF0745T_-680M	68	1.0	0.175	0.6	0.77
CTSLF0745T_-101M	100	1.0	0.25	0.5	0.65
CTSLF0745T_-151M	150	1.0	0.34	0.4	0.55
CTSLF0745T_-221M	220	1.0	0.52	0.33	0.45
CTSLF0745T_-331M	330	1.0	0.74	0.25	0.37
CTSLF0745T_-471M	470	1.0	1.05	0.22	0.31
CTSLF0745T_-681M	680	1.0	1.48	0.2	0.27
CTSLF0745T_-102M	1000	1.0	2.28	0.14	0.25

### PHYSICAL DIMENSIONS

Size	A	B	C	D	E	F
mm	7 $\pm 0.2$	7 $\pm 0.2$	4.5 $\pm 0.3$	4.9	0.9	2.0
inches	0.28 $\pm 0.008$	0.28 $\pm 0.008$	0.18 $\pm 0.012$	0.193	0.035	0.079



11.20.07

Manufacturer of Passive and Discrete Semiconductor Components

800-684-5322 Inside US 949-453-1811 Outside US

Copyright © 2007 by CT Magnetics, DBA Central Technologies. All rights reserved.

CT Magnetics reserves the right to make improvements or change specifications without notice

