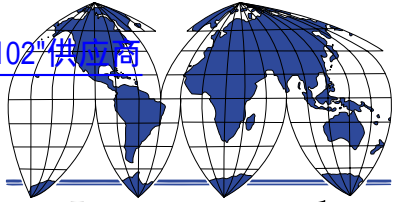


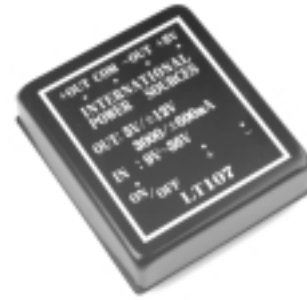
查询"LT102"供应商



International Power Sources, Inc.

260 Hopping Brook Road
Holliston, Massachusetts 01746
Tel. (508) 429-4440 Fax (800) 226-2100
<http://www.intlpower.com>

DC/DC Converters



LT Series: 25/30 WATT Wide Input Range

FEATURES

- 4:1 Input Range
- Isolated Outputs
- Efficiency to 84%
- 100 kHz Switching Frequency
- External Output Trim
- Remote Disable
- Six-sided Shield
- PCB Mountable

MODELS CHART

INPUT MODEL NUMBER	VOLTAGE RANGE	OUTPUT VOLTAGE	OUTPUT CURRENT	INPUT CURRENTS		% EFF
				NO LOAD	FULL LOAD	
LT101	9-36VDC	5VDC	5000mA	20mA	2700mA	75
LT102	9-36VDC	12VDC	2500mA	20mA	3100mA	81
LT103	9-36VDC	15VDC	2000mA	20mA	3100mA	81
LT104	9-36VDC	±12VDC	±1250mA	20mA	3100mA	81
LT105	9-36VDC	±15VDC	±1000mA	20mA	3100mA	81
LT106	9-36VDC	+5/+12/-5VDC	3000/+600/1000mA	50mA	3200mA	71
LT107	9-36VDC	5±12VDC	3000/±600mA	50mA	3200mA	77
LT108	9-36VDC	5±15VDC	3000/±500mA	50mA	3200mA	78
LT201	20-72VDC	5VDC	5000mA	20mA	1360mA	77
LT202	20-72VDC	12VDC	2500mA	20mA	1500mA	83
LT203	20-72VDC	15VDC	2000mA	20mA	1500mA	83
LT204	20-72VDC	±12VDC	±1250mA	20mA	1500mA	81
LT205	20-72VDC	±15VDC	±1000mA	20mA	1500mA	83
LT206	20-72VDC	+5/+12/-5VDC	3000/+600/1000mA	40mA	1560mA	73
LT207	20-72VDC	5±12VDC	3000/±600mA	40mA	1500mA	82
LT208	20-72VDC	5±15VDC	3000/±500mA	40mA	1500mA	83

NOTE: Nominal Input Voltage 12 or 24 VDC

ELECTRICAL SPECIFICATIONS

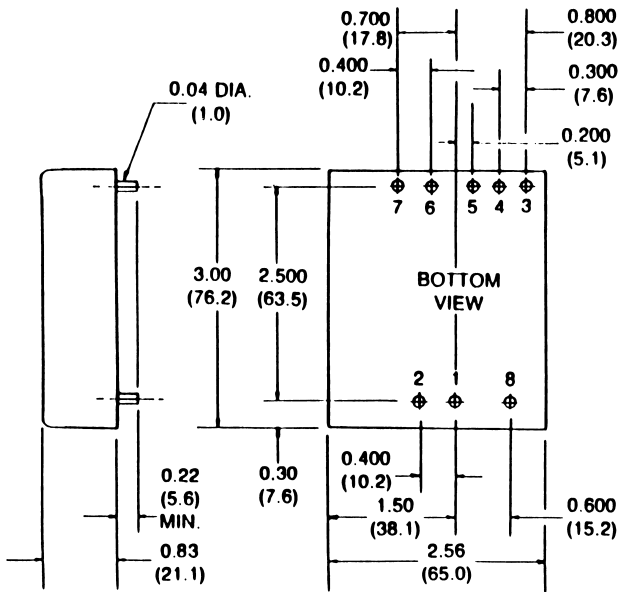
Specifications typical at nominal line, full load and 25°C
 查询LT102 供应商

OUTPUT SPECIFICATIONS	
Voltage Accuracy	Single Output ±1% max. Dual+Output ±1% max. -Output ±3% max. Triple 5V ±2% max. 12V/15V ±5% max. -5V ±2% max.
Voltage Balance, Dual Output at Full Load ±1% max.
Transient Response:	Single, 25% Step Load Change <500μ sec. Dual, FL-1/2L±1% Error Band <500μ sec.
External Trim Adj. Range ±10%
Ripple & Noise, 20MHz BW 10mV RMS, max. 75mV P-P max.
Temperature Coefficient ±0.02%/°C max.
Short Circuit Protection Indefinite
Overvoltage Protection, 5V 6.8V
12V 15V
15V 18V
Line Regulation ¹ :	Single Output ±0.5% max. Triple Output ±1% max.
Load Regulation ² :	Single/Dual Output ±1% max. Triple Output ±5% max.

INPUT SPECIFICATIONS
Input Voltage Range See Table
Input Filter π Type
Reverse Voltage Protection ³ Internal Shunt Diode Use External Fuse

GENERAL SPECIFICATIONS
Efficiency See Table
Isolation Voltage 500VDC min.
Isolation Resistance 10 ⁹ ohms min.
Switching Frequency 100kHz
Case Grounding Capacity Coupled to Input
Operating Temperature Range -25°C to +71°C
Storage Temperature Range -55°C to +105°C
EM/RFI Six-sided Continuous Shield
Dimensions 2.56 x 3.0 x 0.83 inches (65 x 76.2 x 21.1 mm)
Case Material Black Coated Copper with Non-Conductive Base

DIMENSIONS AND CONNECTIONS



NOTE:

1. Measured from High Line to Low Line.
2. Measured from Full Load to 1/4 Full Load.
3. Determine the correct fuse size by calculating the maximum DC current drain at low line input, maximum load and then adding 20 to 25% to get the desired fuse size.
4. A 10% minimum load is required on dual and triple output models for rated performance.

Dimensions in inches (mm)
 Specifications subject to change.

PIN CONNECTIONS			
PIN	SINGLE	DUAL	TRIPLE
1	+ Input	+ Input	+ Input
2	- Input	- Input	- Input
3	No Pin	+ Output	+ Output
4	Output Trim	Common	Common
5	No Pin	- Output	- Output
6	+ Output	No Pin	+5V Output
7	- Output	No Pin	No Pin
8	Remote On/Off Control		

REMOTE ON/OFF CONTROL
Logic Compatibility .. CMOS or Open Collector TTL
E _c -ON, >+5.5 VDC or Open Circuit
E _c -OFF, <0.8 VDC
Shutdown Idle Current 10mA
Input Resistance ... (E _{in} 0 VDC to 9 VDC) 100kΩ
Control Common Referenced to input Minus

