

NPN EPOXY - SWITCHING AND GENERAL PURPOSE

D

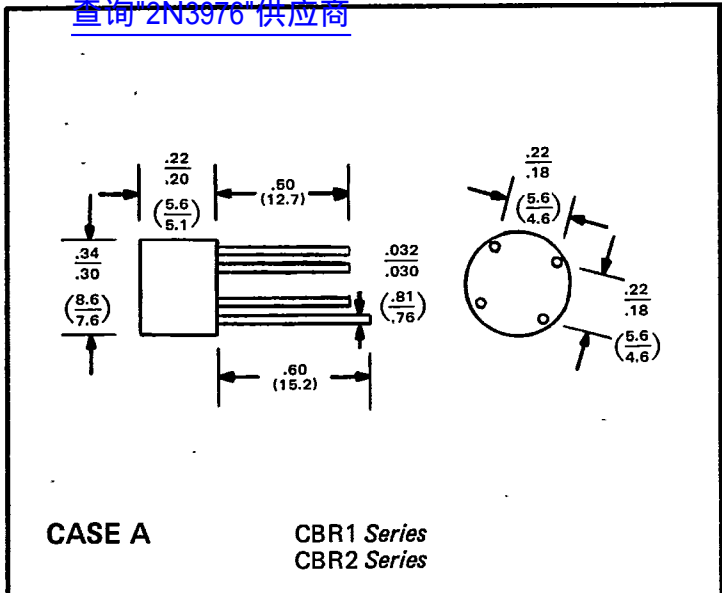
查询"2N3976"供应商

TYPE NO.	V _{CB}	V _{CE}	V _{EB}	h _{FE} at		I _C	V _{CE}	V _{CE(s)} at I _B		I _C	f _T	C _{ob}	I _{CBO} at V _{CB}		CASE
	V	V	V	min	max	mA	V	V	mA	mA	MHz	pF	μA	V	
2N2711	18	18	5	30	90	2	4.5	-	-	-	-	12	-	-	TO-98
2N2712	18	18	5	75	225	2	4.5	-	-	-	-	12	-	-	TO-98
2N2713	18	18	5	30	90	2	4.5	0.3	5	50	-	-	-	-	TO-98
2N2714	18	18	5	75	225	2	4.5	0.3	5	50	-	-	-	-	TO-98
2N2923	25	25	5	90	180	2	10	-	-	-	-	12	-	-	TO-98
2N2924	25	25	5	150	300	2	10	-	-	-	-	12	-	-	TO-98
2N2925	25	25	5	235	470	2	10	-	-	-	-	12	-	-	TO-98
2N2926	18	18	5	35	470	2	10	-	-	-	-	12	-	-	TO-98
2N3392	25	25	5	150	300	2	4.5	-	-	-	-	10	-	-	TO-98
2N3393	25	25	5	90	180	2	4.5	-	-	-	-	10	-	-	TO-98
2N3394	25	25	5	55	110	2	4.5	-	-	-	-	10	-	-	TO-98
2N3395	25	25	5	150	500	2	4.5	-	-	-	-	10	-	-	TO-98
2N3396	25	25	5	90	500	2	4.5	-	-	-	-	10	-	-	TO-98
2N3397	25	25	5	55	500	2	4.5	-	-	-	-	10	-	-	TO-98
2N3398	25	25	5	55	800	2	4.5	-	-	-	-	10	-	-	TO-98
2N3402	25	25	5	75	225	2	4.5	0.3	5	50	-	-	-	-	TO-98S
2N3403	25	25	5	180	540	2	4.5	0.3	5	50	-	-	-	-	TO-98S
2N3404	50	50	5	75	225	2	4.5	0.3	5	50	-	-	-	-	TO-98S
2N3405	50	50	5	180	540	2	4.5	0.3	5	50	-	-	-	-	TO-98S
2N3414	25	25	5	75	225	2	4.5	0.3	5	50	-	-	-	-	TO-98
2N3415	25	25	5	180	540	2	4.5	0.3	5	50	-	-	-	-	TO-98
2N3416	50	50	5	75	225	2	4.5	0.3	5	50	-	-	-	-	TO-98
2N3417	50	50	5	180	540	2	4.5	0.3	5	50	-	-	-	-	TO-98
2N3566	40	30	5	150	600	10	10	1.0	10	100	40	25	.05	20	TO-105
2N3567	80	40	5	40	120	150	1	.25	15	150	60	20	.05	40	TO-105
2N3568	80	60	5	40	120	150	1	.25	15	150	60	20	.05	40	TO-105
2N3569	80	60	5	100	300	150	1	.25	15	150	60	20	.05	40	TO-105
2N3641	60	30	5	40	120	150	10	.22	15	150	250	8	.05	50	TO-105
2N3642	60	45	5	40	120	150	10	.22	15	150	250	8	.05	50	TO-105
2N3643	60	30	5	100	300	150	10	.22	15	150	250	8	.05	50	TO-105
2N3721	18	18	5	60	660	2	10	-	-	-	-	-	-	-	TO-98
2N3903	60	40	6	50	150	10	1	0.3	5	50	250	4	.05	30	TO-92
2N3904	60	40	6	100	300	10	1	0.3	5	50	300	4	.05	30	TO-92
2N3975	30	30	5	35	100	10	1	0.3	15	150	200	7	-	-	TO-98
2N3976	30	30	5	55	200	10	1	0.3	15	150	200	7	-	-	TO-98
2N4123	40	30	5	50	150	2	1	0.3	5	50	250	4	.05	20	TO-92
2N4124	30	25	5	120	360	2	1	0.3	5	50	300	4	.05	20	TO-92
2N4140	60	30	5	40	120	150	10	0.4	15	150	250	8	.05	40	TO-106
2N4141	60	30	5	100	300	150	10	0.4	15	150	250	8	.05	40	TO-106
2N4227	60	30	5	75	150	150	10	0.4	15	150	250	8	.05	40	TO-106
2N4400	60	40	6	50	150	150	1	0.4	15	150	200	-	-	-	TO-92
2N4401	60	40	6	100	300	150	1	0.4	15	150	250	-	-	-	TO-92
2N4409	50	50	5	60	400	1	10	0.2	0.1	1	60	12	-	-	TO-92
2N4410	80	80	5	60	400	10	19	0.2	0.1	1	60	12	-	-	TO-92
2N4424	40	40	5	180	540	2	4.5	0.3	5	50	-	-	-	-	TO-98
2N4425	40	40	5	180	540	2	4.5	0.3	5	50	-	-	-	-	TO-98S
2N4436	30	30	5	40	120	150	10	.22	15	150	250	8	-	-	TO-106
2N4437	30	30	5	100	300	150	10	.22	15	150	250	8	-	-	TO-106
2N4944	40	40	5	40	120	150	10	.25	15	150	60	25	-	-	TO-106
2N4945	60	60	5	40	120	150	10	.25	15	150	60	20	-	-	TO-106
2N4946	40	40	5	100	300	150	10	.25	15	150	60	25	-	-	TO-106
2N4951	30	30	5	60	200	150	10	0.3	15	150	250	8	-	-	TO-98
2N4952	30	30	5	100	300	150	10	0.3	15	150	250	8	-	-	TO-98
2N4953	30	30	5	200	600	150	10	0.3	15	150	250	8	-	-	TO-98
2N4954	30	30	5	60	600	150	10	0.3	15	150	250	8	-	-	TO-98
2N4969	50	30	5	40	120	150	10	0.4	15	150	200	8	.05	30	TO-106
2N4970	50	30	5	100	350	150	10	0.4	15	150	200	8	.05	30	TO-106
2N5128	15	12	3	35	350	50	10	.25	15	150	200	10	.05	10	TO-105
2N5129	15	12	3	35	350	50	10	.25	15	150	200	10	.05	10	TO-106
2N5135	30	25	4	50	600	10	10	1.0	10	100	40	25	.03	15	TO-105

CASE OUTLINE DRAWINGS

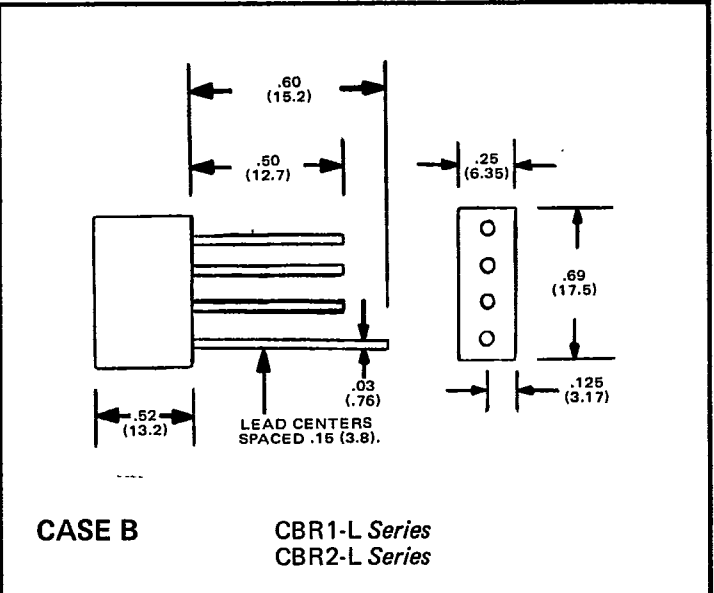
[查询"2N3976"供应商](#)

D



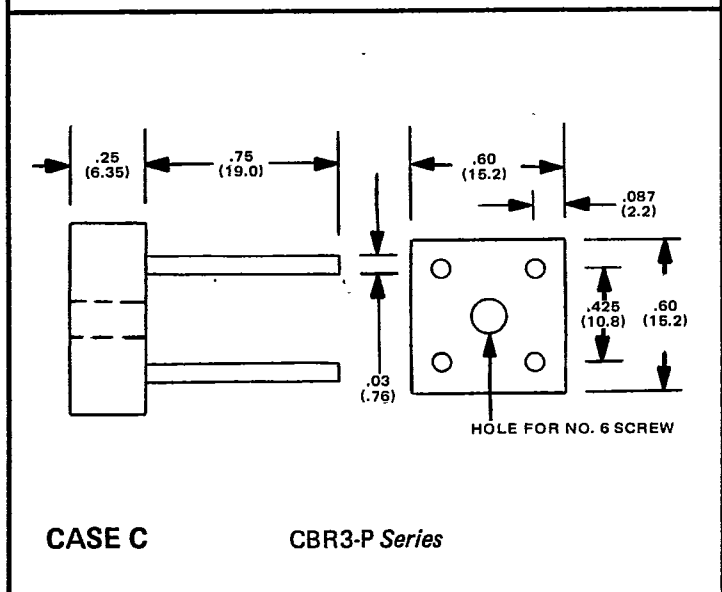
CASE A

CBR1 Series
CBR2 Series



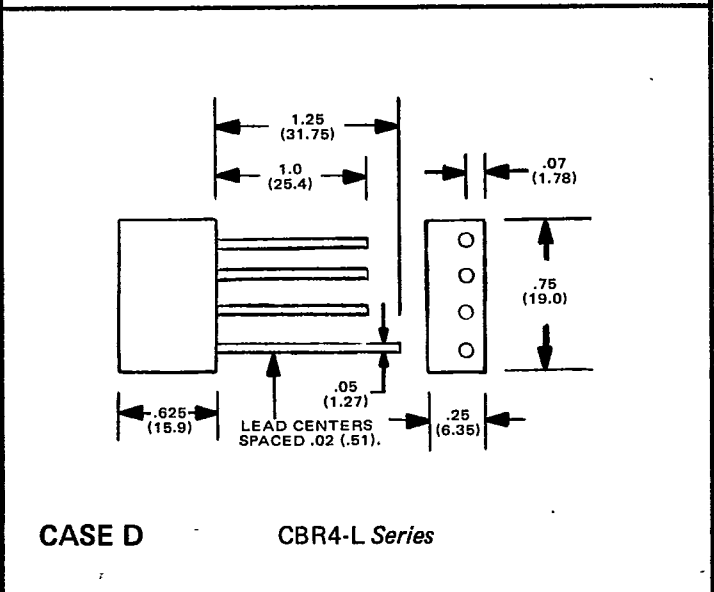
CASE B

CBR1-L Series
CBR2-L Series



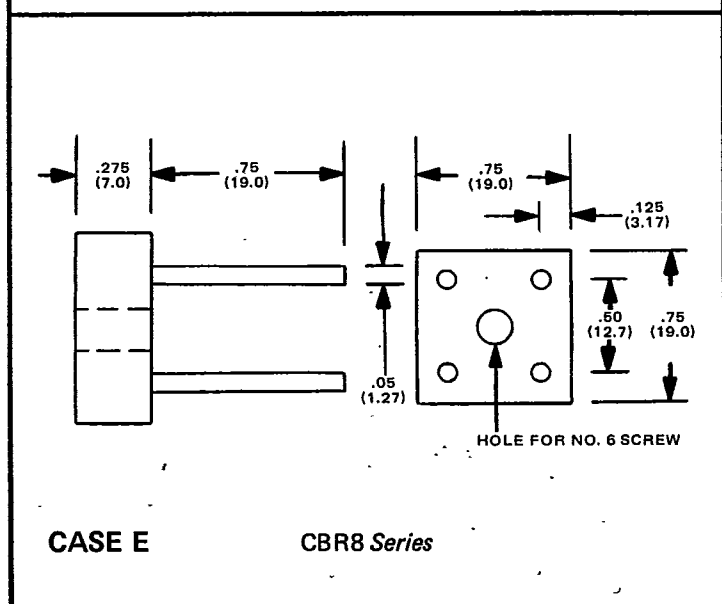
CASE C

CBR3-P Series



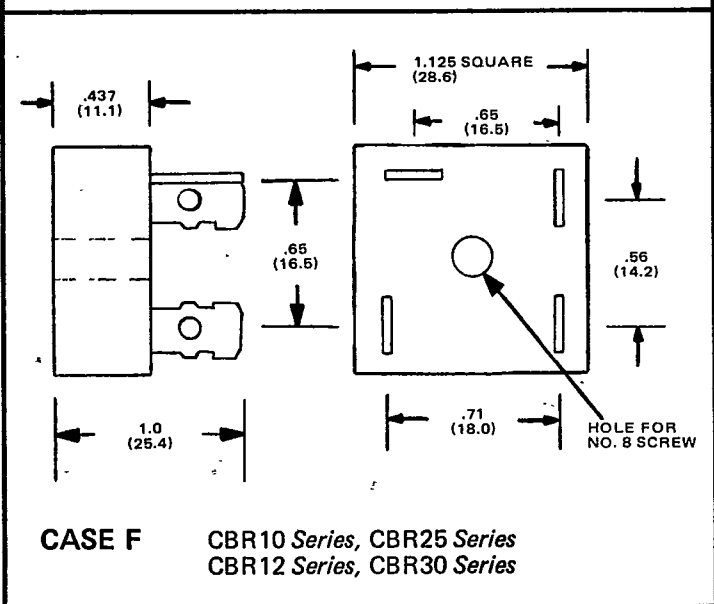
CASE D

CBR4-L Series



CASE E

CBR8 Series



CASE F

CBR10 Series, CBR25 Series
CBR12 Series, CBR30 Series

All Dimensions in Inches (Millimeters)

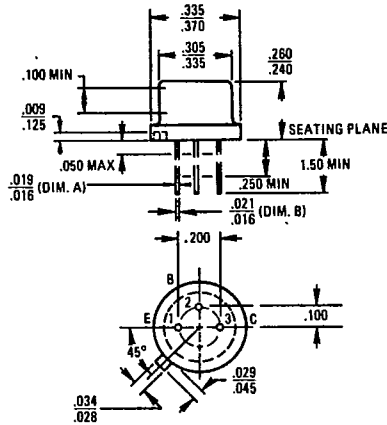
Drawings Not To Scale

f

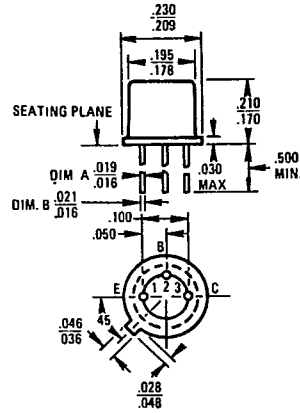
MECHANICAL OUTLINE DRAWINGS

[查询"2N3976"供应商](#)

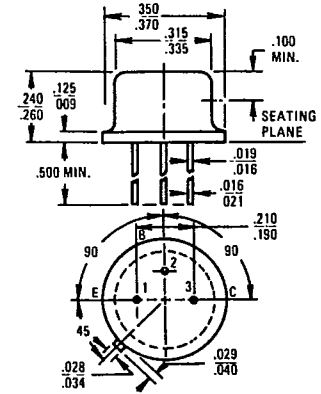
TO-5



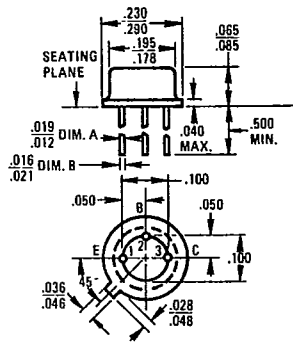
TO-18



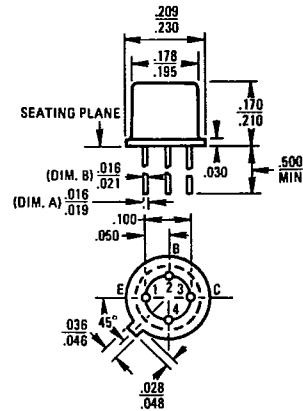
TO-39



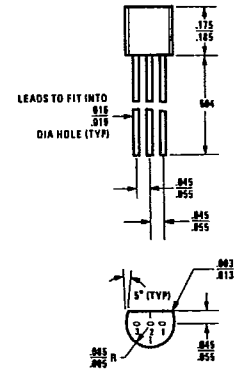
TO-46



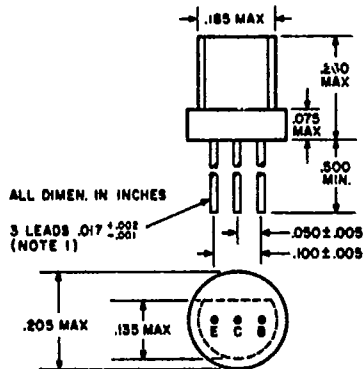
TO-72



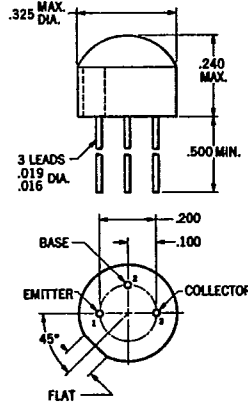
TO-92



TO-98



TO-105



TO-106

