

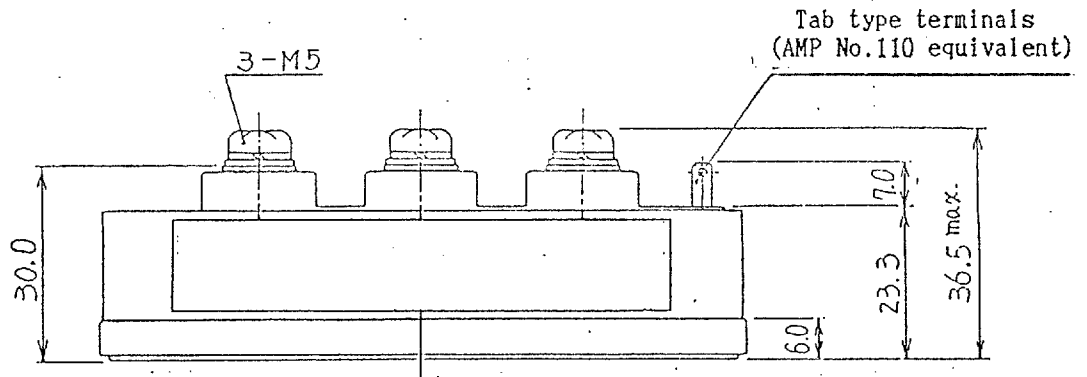
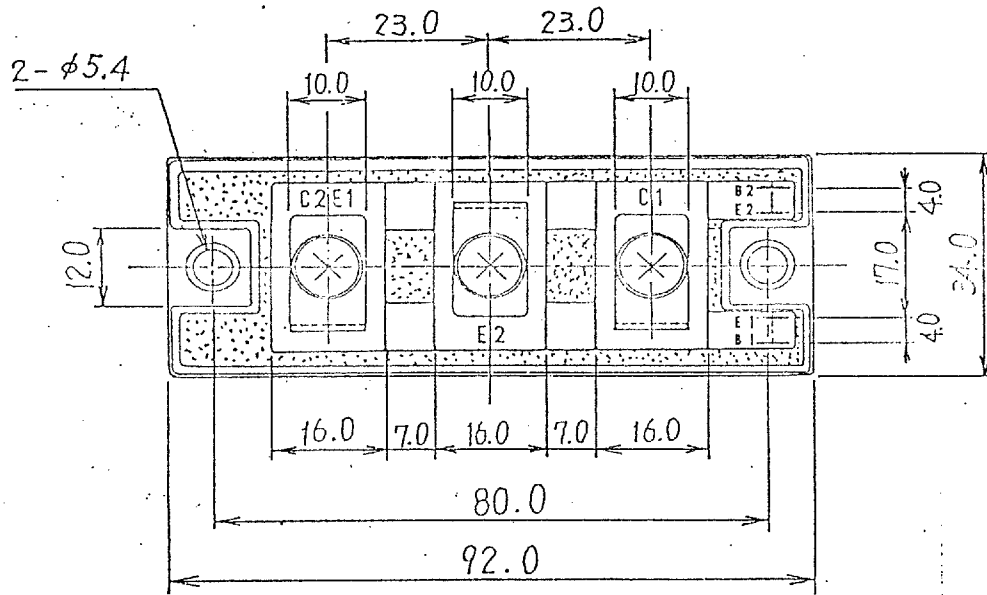
Ratings and characteristics of Fuji IGBT (MBT) Module

查询"2MBI100J060"供应商 2MBI100J-060 (TENTATIVE)

1. Outline Drawing

Unit : mm

* Isolation Voltage : AC 2500 V 1 minute



This material and the information herein is the property of Fuji Electric Co., Ltd. They shall be neither reproduced, copied, lent, or disclosed in any way whatsoever for the use of any third party nor used for the manufacturing purposes without the express written consent of Fuji Electric Co., Ltd.

10 Revised page 3, 4, 9, 10. Apr. 6 '93 A. Yamaguchi

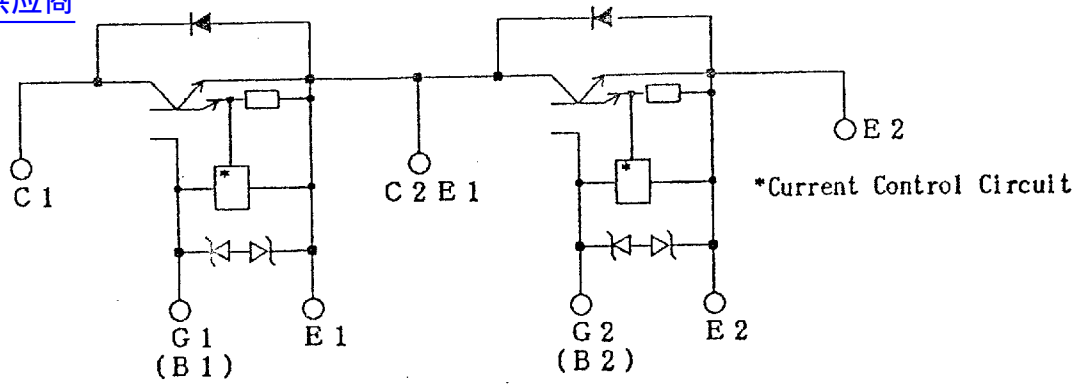
		DATE	NAME	APPROVED	Fuji Electric Co., Ltd.	
DRAWN	Jan -25 -'93	A. Yamaguchi			DWG. NO.	MT5F4906
CHECKED	Jan 26 '93	T. Miyasaka				
REVISIONS						

MA4LE

2238792 0002432 065 COL

2. Equivalent Circuit

查询"2MB1100J060"供应商



3. Absolute Maximum Ratings (Tj=25 °C)

Items		Symbols	Ratings	Units
Collector-emitter voltage		V_{CES}	600	V
Gate-emitter voltage		V_{GES}	± 20	V
Collector current	Continuous	I_c	100	A
	1 ms	I_c pulse	200	
		$-I_c$	100	
	1 ms	$-I_c$ pulse	200	
Max.power dissipation		PC	300	W
Operating temperature		Tj	+150	°C
Storage temperature		Tstg	-40 ~ +125	°C
Isolation voltage		Vis	AC 2500 (1 min)	V
Screw Torque		Mounting *1	3.5	N·m
		Terminals *1	3.5	

Note : *1 Recommendable Value : 2.5 ~ 3.5 N·m (M5)

This material and the information herein is the property of Fuji Electric Co., Ltd. They shall be neither reproduced, copied, lent, or disclosed in any way whatsoever for the use of any third party nor used for the manufacturing purposes without the express written consent of Fuji Electric Co., Ltd.

REVISIONS			
-----------	--	--	--

	DATE	NAME	APPROVED
DRAWN	- -		
CHECKED	- -		

Fuji Electric Co., Ltd.

DWG. NO.

MT5F4906

2/11

MA4LE

2238792 0002433 TTJ COL

查询"2MB1100J060"供应商

4. Static electrical characteristics (at $T_j=25^\circ\text{C}$ unless otherwise specified)

Items	Symbols	Characteristics			Conditions		Units
		min.	typ.	max.			
Zero gate voltage collector current	I_{CES}			1.0	$T_j = 25^\circ\text{C}$	$V_{GE} = 0\text{V}$	mA
					$T_j = 125^\circ\text{C}$	$V_{CE} = 600\text{V}$	mA
Gate-emitter leakage current	I_{GES}			15	$V_{CE} = 0\text{V}$ $V_{GE} = \pm 20\text{V}$		μA
Gate-emitter threshold voltage	$V_{GE(th)}$	3.5	5.0	6.5	$V_{CE} = 20\text{V}$ $I_C = 100\text{mA}$		V
Collector-emitter saturation voltage	$V_{CE(sat)}$		1.7	2.5	$V_{GE} = 15\text{V}$ $I_C = 100\text{A}$		V

5. Dynamic ratings (at $T_j=25^\circ\text{C}$ unless otherwise specified)

Items	Symbols	Characteristics			Conditions	Units
		min.	typ.	max.		
Input capacitance	C_{ies}		6400		$V_{GE} = 0\text{V}$ $V_{CE} = 10\text{V}$ $f = 1\text{MHz}$	pF
Output capacitance	C_{oes}					
Reverse transfer capacitance	C_{res}					
Turn-on time	t_{on}		0.6	1.2	$V_{CC} = 300\text{V}$ $I_C = 100\text{A}$ $V_{GE} = \pm 15\text{V}$ $R_G = 24\Omega$	μs
	t_r		0.2	0.6		
Turn-off time	t_{off}		0.8	1.5		
	t_f		0.15	0.35		

This material and the information herein is the property of Fuji Electric Co., Ltd. They shall be neither reproduced, copied, lent, or disclosed in any way whatsoever for the use of any third party nor used for the manufacturing purposes without the express written consent of Fuji Electric Co., Ltd.

REVISIONS				
DRAWN	- -			
CHECKED	- -			

DATE	NAME	APPROVED	Fuji Electric Co.,Ltd.	
			DWG. NO.	NT5F4906
				3/11

MA4LE

2238792 0002434 938 COL

6. Characteristics of reverse diode (at $T_j=25^\circ\text{C}$ unless otherwise specified)

查询"2MB1100J060"供应商

Items	Symbols	Characteristics			Conditions	Units
		min.	typ.	max.		
Diode forward on-voltage	V _F		2.3	3.0	I _F = 100A V _{GE} = 0V	V
Reverse recovery time	t _{rr}			300	I _F = 100A -di/dt = 300A/μs	ns

7. Thermal resistance characteristics

Items	Symbols	Characteristics			Conditions	Units
		min.	typ.	max.		
Thermal resistance	R _{th(j-c)}			0.417	IGBT	°C/W
	R _{th(j-c)}			0.800	Diode	
	* R _{th(c-f)}		0.05		the base to cooling fin	

* This is the value which is defined mounting on the additional cooling fin with thermal compound.

This material and the information herein is the property of Fuji Electric Co., Ltd. They shall be neither reproduced, copied, lent, or disclosed in any way whatsoever for the use of any third party nor used for the manufacturing purposes without the express written consent of Fuji Electric Co., Ltd.

REVISIONS				
-----------	--	--	--	--

	DATE	NAME	APPROVED	Fuji Electric Co., Ltd.	
DRAWN	- -			DWGNO	MT5F4906
CHECKED	- -				

MA4LE

2238792 0002435 874 COL