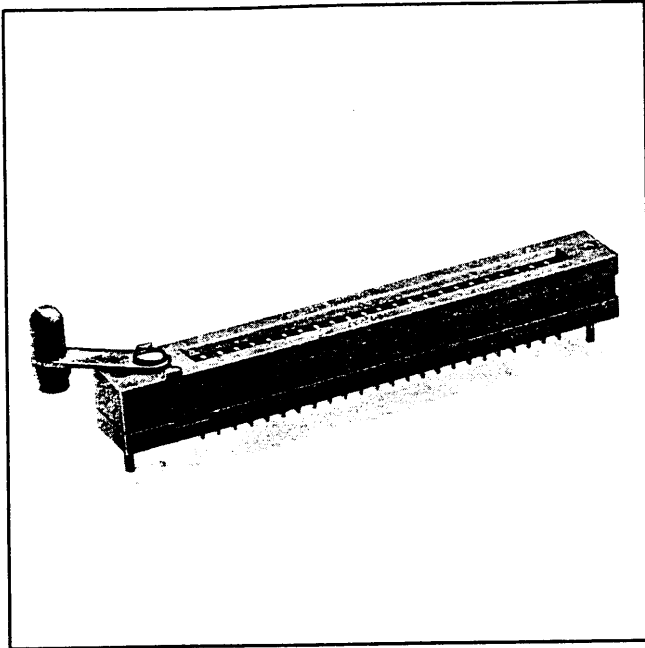


# ZIP Strip™ Sockets

291-092 to 110

.100" Centers "In Line"



- For single-in-line packages on .100" centers
- Can be used in sets of two or more to create a socket for non-standard leaded packages on .100" centers
- SIP pin counts from 10 through 36 leads
- Lever actuated zero insertion force mechanism
- Ganging bar included to enable mass actuation

---

## Physical:

**Insulation Material:** Glass Reinforced Polysulfone  
*Flammability Rating:* UL 94V-0  
**Color:** Green  
**Marking:** Raised Figures Vendor Name, Part Identification  
**Contact Material:** Beryllium Copper  
**Contact Plating:** 30 μ" (0.76 μm) Gold — MIL-G-45204, Type II, Grade C over 50 μ" (1.3 μm) Sulfamate Nickel per QQ-N-290A, Class 2 or 75 μ" (1.9 μm) Nickel Boron

---

## Electrical:

**Current Rating:** 1 Amp  
**Insulation Resistance:**  $> 1 \times 10^{12} \Omega$  at 500 Vdc  
**Withstanding Voltage:** 1000 Vrms at Sea Level

---

## Environmental:

**Temperature Rating Operating:** -67°F (-55°C) to +302°F (+150°C)

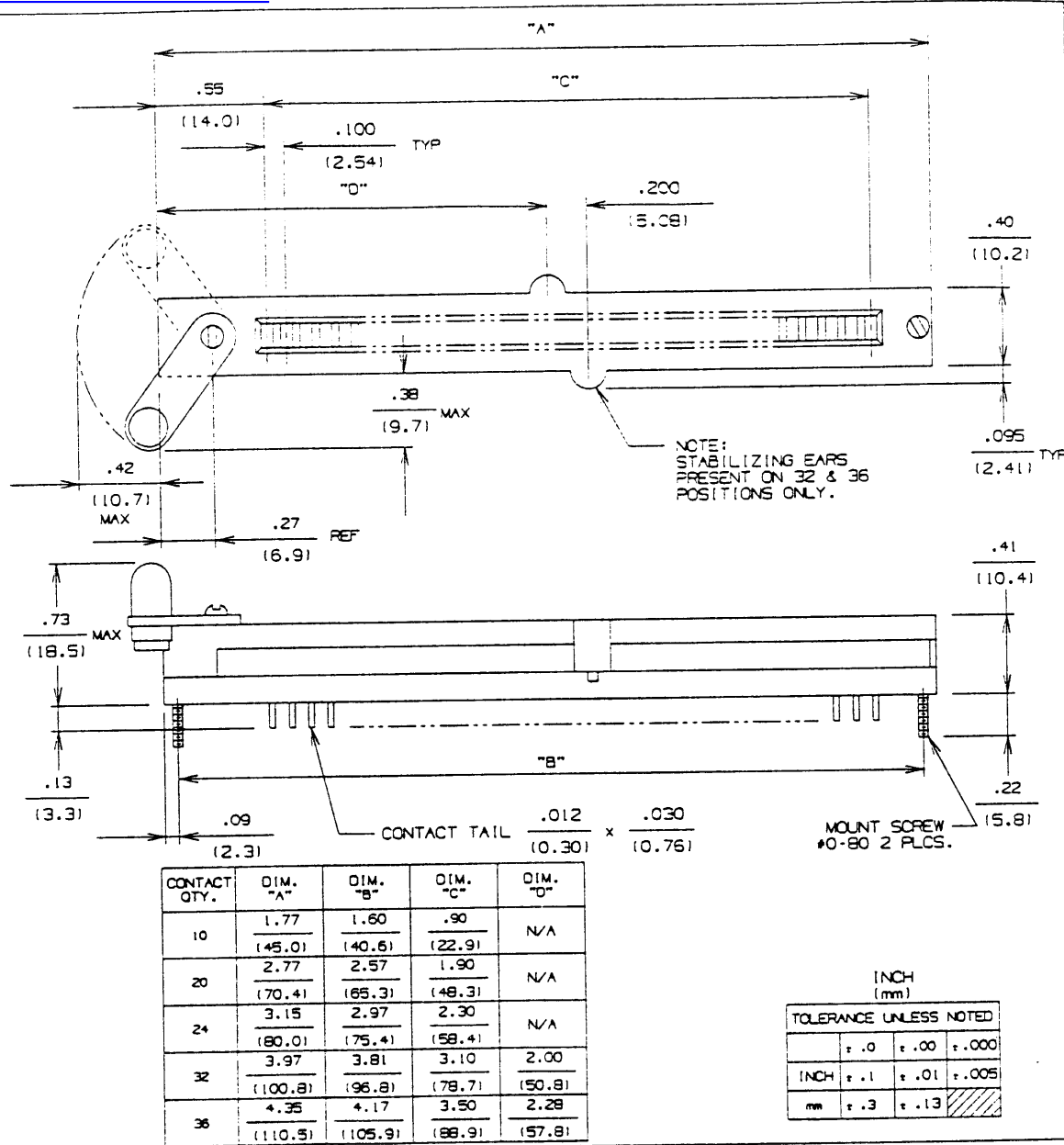
---

**Textool Products**  
**3M Electronic Products Division**  
PO Box 2963  
Austin, TX 78769-2963

# ZIP Strip Sockets

100" Centers "In-Line"  
 查询 20-2600-00-0602 供应商

SHEET 2 OF 2



T5/0362/01

## ORDERING INFORMATION

### SOCKET PART NUMBER

- 2-0010-02599-000-006-00X
- 2-0020-02600-000-006-00X
- 2-0024-05809-000-006-00X
- 2-0032-02601-000-006-00X
- 2-0036-06225-000-006-00X

### CONTACT QUANTITY

- 10
- 20
- 24
- 32
- 36

x = 2 = BeCu, GOLD PLATING  
 x = 5 = BeCu, NIB PLATING