

2-INPUT 1-OUTPUT AUDIO SWITCH

[查询"NJM2520D"供应商](#)

■ GENERAL DESCRIPTION

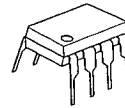
The NJM2520 is 58kΩ input impedance 2-input 1-output audio switch.

It contains two bias-type inputs and one buffer-type output.

■ FEATURES

- Operating Voltage +4.75V ~ +13V
- Crosstalk (-70dB typ.)
- Input Impedance (58kΩ typ.)
- 2-Input, 1-Output
- Bipolar Technology
- Package Outline DIP8, DMP8, SIP8, SSOP8

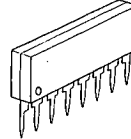
■ PACKAGE OUTLINE



NJM2520D



NJM2520M

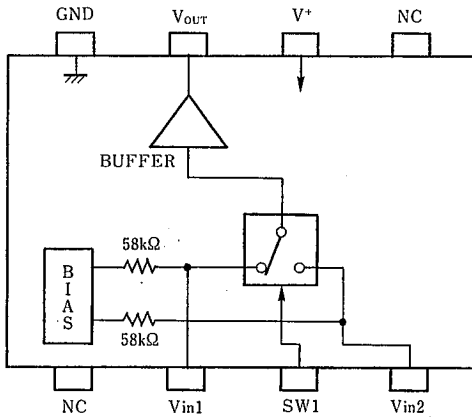


NJM2520L



NJM2520V

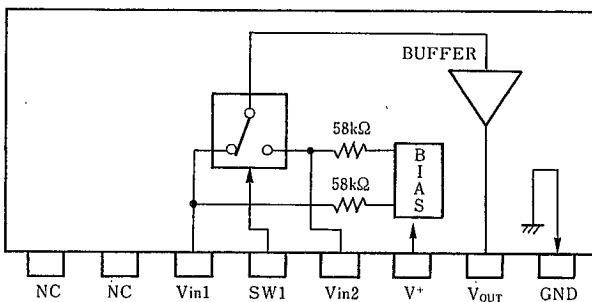
■ PIN CONFIGURATION



NJM2520D  
NJM2520M  
NJM2520V

PIN FUNCTION

1. NC
2. Vin1
3. SW1
4. Vin2
5. NC
6. V+
7. Vout
8. GND



NJM2520L

PIN FUNCTION

1. NC
2. NC
3. Vin1
4. SW1
5. Vin2
6. V+
7. Vout
8. GND

5

## 查询"NJM2520D"供应商

### ■ ABSOLUTE MAXIMUM RATINGS

(Ta=25°C)

PARAMETER	SYMBOL	RATINGS	UNIT
Supply Voltage	V*	+15	V
Power Dissipation	P <sub>D</sub>	(DIP-8) 500	mW
		(DMP-8) 300	
		(SIP-8) 800	
		(SSOP-8) 250	
Operating Temperature Range	T <sub>opr</sub>	-20 ~ +75	°C
Storage Temperature Range	T <sub>stg</sub>	-40 ~ +125	°C

### ■ ELECTRICAL CHARACTERISTICS

(V\*=5V, Ta=25°C)

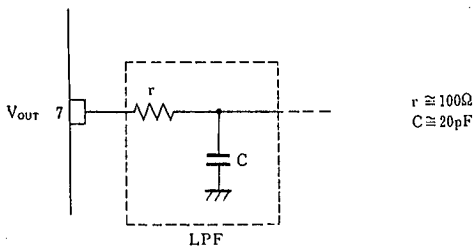
PARAMETER	SYMBOL	TEST CONDITIONS	MIN.	TYP.	MAX.	UNIT
Operating Voltage	V*		+4.7	-	+13.0	V
Operating Current	I <sub>cc</sub>		-	8.5	11.0	mA
Frequency Characteristics	G <sub>f</sub>	V <sub>in</sub> =2V <sub>pp</sub> , V <sub>o</sub> =10MHz/100kHz	-1.0	0	+1.0	dB
Voltage Gain	G <sub>v</sub>	V <sub>in</sub> =2V <sub>pp</sub> , 100kHz	-0.5	0	+0.5	dB
Total Harmonic Distortion	THD	V <sub>in</sub> =2.5V <sub>pp</sub> , 1kHz	-	0.01	-	%
Output Offset Voltage	V <sub>off</sub>		-35	0	+35	mV
Switching Voltage	V <sub>CH</sub>		2.4	-	-	V
	V <sub>CL</sub>		-	-	0.8	V
Input Impedance	R <sub>i</sub>		-	58	-	kΩ
Output Impedance	R <sub>o</sub>		-	10	-	Ω

### ■ CONTROL SIGNAL-OUTPUT SIGNAL

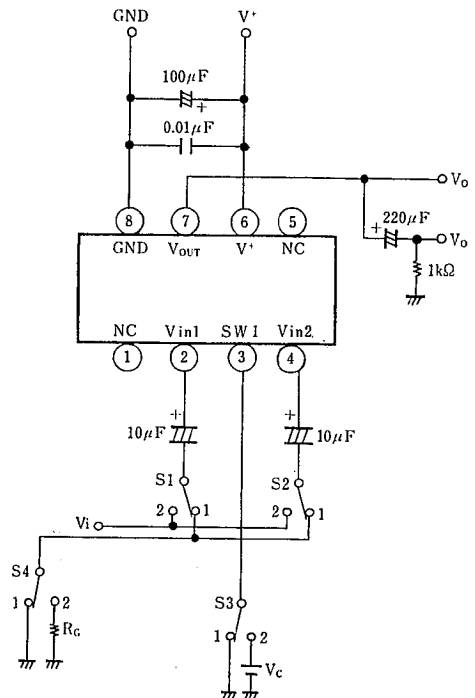
SW1	OUTPUT SIGNAL
L	V <sub>IN1</sub>
H	V <sub>IN2</sub>

### ■ APPLICATION

Oscillation Prevention on light loading conditions  
Recommended under circuit



### ■ TEST CIRCUIT



# NJM2520

---

[查询"NJM2520D"供应商](#)

## MEMO

[CAUTION]

The specifications on this databook are only given for information , without any guarantee as regards either mistakes or omissions. The application circuits in this databook are described only to show representative usages of the product and not intended for the guarantee or permission of any right including the industrial rights.