

## RAD-TOLERANT CLASS V, HIGH-SPEED PWM CONTROLLER

### FEATURES

- QML-V Qualified, SMD 5962-87681
- Rad-Tolerant: 30 kRad (Si) TID <sup>(1)</sup>
- Compatible With Voltage- or Current-Mode Topologies
- Practical Operation Switching Frequencies to 1 MHz
- 50-ns Propagation Delay-to-Output
- High-Current Dual Totem Pole Outputs (1.5 A Peak)
- Wide Bandwidth Error Amplifier
- Fully Latched Logic With Double-Pulse Suppression
- Pulse-by-Pulse Current Limiting
- Soft Start/Maximum Duty-Cycle Control
- Undervoltage Lockout With Hysteresis
- Low Start-Up Current (1.1 mA)

(1) Radiation tolerance is a typical value based upon initial device qualification with dose rate = 10 mrad/sec. Radiation Lot Acceptance Testing is available - contact factory for details.

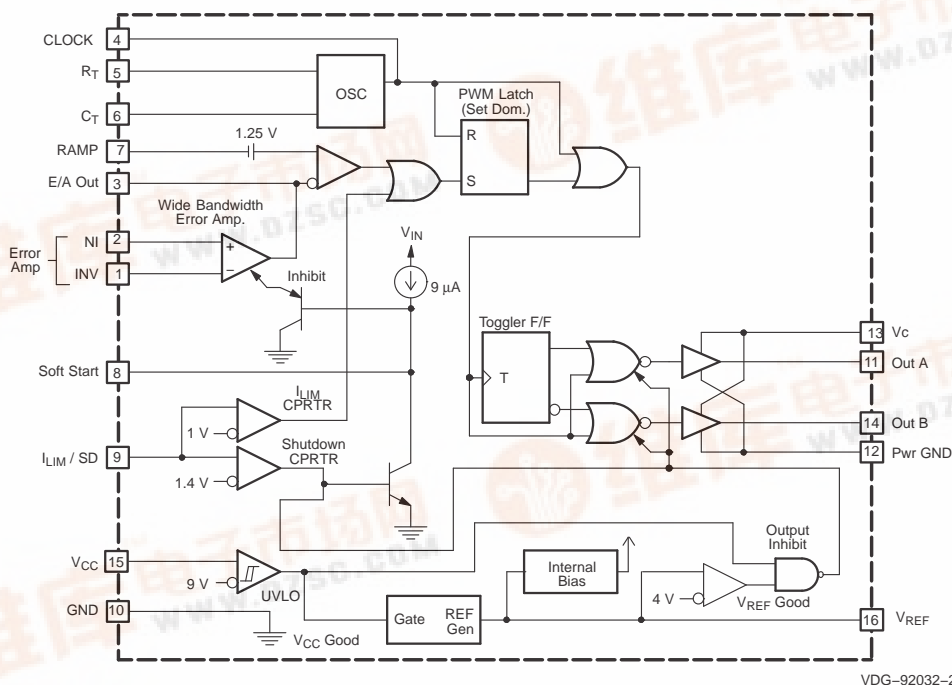
### DESCRIPTION

The UC1825 PWM control device is optimized for high-frequency switched mode power supply applications. Particular care was given to minimizing propagation delays through the comparators and logic circuitry while maximizing bandwidth and slew rate of the error amplifier. This controller is designed for use in either current-mode or voltage mode systems with the capability for input voltage feed-forward.

Protection circuitry includes a current limit comparator with a 1-V threshold, a TTL compatible shutdown port, and a soft start pin which will double as a maximum duty-cycle clamp. The logic is fully latched to provide jitter-free operation and prohibit multiple pulses at an output. An undervoltage lockout section with 800 mV of hysteresis assures low start up current. During undervoltage lockout, the outputs are high impedance.

This device features totem pole outputs designed to source and sink high peak currents from capacitive loads, such as the gate of a power MOSFET. The on state is designed as a high level.

### BLOCK DIAGRAM



Please be aware that an important notice concerning availability, standard warranty, and use in critical applications of Texas Instruments semiconductor products and disclaimers thereto appears at the end of this data sheet.



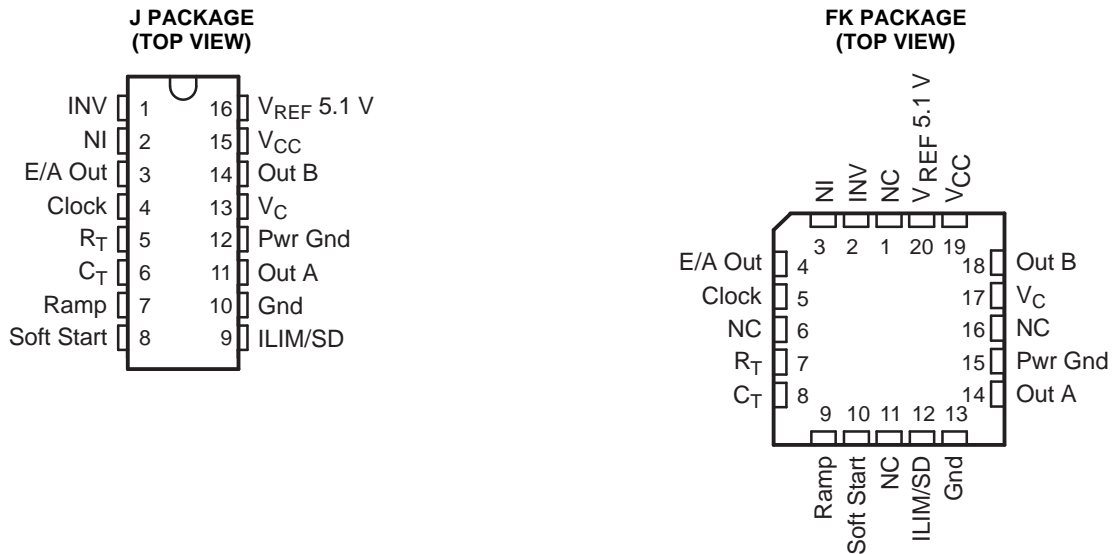


This device has limited built-in ESD protection. The leads should be shorted together or the device placed in conductive foam during storage or handling to prevent electrostatic damage to the MOS gates.

**ORDERING INFORMATION<sup>(1)</sup>**

<b>T<sub>A</sub></b>	<b>PACKAGE<sup>(2)</sup></b>	<b>ORDERABLE PART NUMBER</b>	<b>TOP-SIDE MARKING</b>
-55°C to 125°C	CDIP – J	5962-8768104VEA	UC1825J-SP
	LCCC – FK	5962-8768104V2A	UC1825FK-SP

- (1) For the most current package and ordering information, see the Package Option Addendum at the end of this document, or see the TI web site at [www.ti.com](http://www.ti.com).
- (2) Package drawings, thermal data, and symbolization are available at [www.ti.com/packaging](http://www.ti.com/packaging).


**Table 1. TERMINAL FUNCTIONS**

NAME	NO.		I/O	DESCRIPTION
	J	FK		
Clock	4	5	O	Output of the internal oscillator
C <sub>T</sub>	6	8	I	Timing capacitor connection pin for oscillator frequency programming. The timing capacitor should be connected to the device ground using minimal trace length.
E/A Out	3	4	O	Output of the error amplifier for compensation
Gnd	10	13	-	Analog ground return pin
ILIM/SD	9	12	I	Input to the current limit comparator and the shutdown comparator
INV	1	2	I	Inverting input to the error amplifier
NC		1, 6, 11, 16	-	No connection
NI	2	3	I	Non-inverting input to the error amplifier
Out A	11	14	O	High-current totem pole output A of the on-chip drive stage
Out B	14	18	O	High-current totem pole output B of the on-chip drive stage
Pwr Gnd	12	15	-	Ground return pin for the output driver stage
Ramp	7	9	I	Non-inverting input to the PWM comparator with 1.25-V internal input offset. In voltage mode operation this serves as the input voltage feed-forward function by using the C <sub>T</sub> ramp. In peak current mode operation, this serves as the slope compensation input.
R <sub>T</sub>	5	7	I	Timing resistor connection pin for oscillator frequency programming
Soft Start	8	10	I	Soft-start input pin which also doubles as the maximum duty cycle clamp
V <sub>C</sub>	13	17	-	Power supply pin for the output stage. This pin should be bypassed with a 0.1-μF monolithic ceramic low ESL capacitor with minimal trace lengths.
V <sub>CC</sub>	15	19	-	Power supply pin for the device. This pin should be bypassed with a 0.1-μF monolithic ceramic low ESL capacitor with minimal trace lengths.
V <sub>REF</sub> 5.1 V	16	20	O	5.1-V reference. For stability, the reference should be bypassed with a 0.1-μF monolithic ceramic low ESL capacitor and minimal trace length to the ground plane.

**ABSOLUTE MAXIMUM RATINGS<sup>(1)</sup>**

			UNIT
Supply voltage	$V_C, V_{CC}$	30	V
Output current, source or sink, Out A, Out B	DC	0.5	A
	Pulse (0.5 $\mu$ s)	2.0	
Analog inputs	INV, NI, Ramp	-0.3 to 7	V
	Soft Start, ILIM/SD	-0.3 to 6	
Clock output current	Clock	-5	mA
Error amplifier output current	E/A Out	5	
Soft-start sink current	Soft Start	20	
Oscillator charging current	$R_T$	-5	
Power dissipation		1	W
Storage temperature range		-65 to 150	°C
Lead temperature (soldering, 10 seconds)		300	

(1) All voltages are with respect to GND; all currents are positive into, negative out of part; pin numbers refer to DIL-16 package.

**RECOMMENDED OPERATING CONDITIONS**

over operating free-air temperature range ( $T_A = T_J = -55^\circ\text{C}$  to  $125^\circ\text{C}$ ), unless otherwise noted.

		MIN	MAX	UNIT
$V_{CC}$	Supply voltage	10	30	V
	Sink/source output current (continuous or time average)	0	100	mA
	Reference load current	0	10	mA

**THERMAL RATINGS TABLE**

PACKAGE	$\theta_{JA}$ (°C/W)	$\theta_{JC}$ (°C/W)
DIL-16 (J)	80–120	28 <sup>(1)</sup>
LCC-20 (FK)	70–80	20 <sup>(1)</sup>

(1)  $\theta_{JC}$  data values stated were derived from MIL-STD-1835B. MIL-STD-1835B states that the baseline values shown are worst case (mean + 2s) for a 60 × 60 mil microcircuit device silicon die and applicable for devices with die sizes up to 14400 square mils. For device die sizes greater than 14400 square mils use the following values; dual-in-line, 11°C/W; flat pack 10°C/W; pin grid array, 10°C/W.

**ELECTRICAL CHARACTERISTICS**

 Unless otherwise stated, these specifications apply for  $R_T = 3.65 \text{ k}\Omega$ ,  $C_T = 1 \text{ nF}$ ,  $V_{CC} = 15 \text{ V}$ ,  $-55^\circ\text{C} < T_A < 125^\circ\text{C}$ ,  $T_A = T_J$ 

PARAMETERS	TEST CONDITIONS	MIN	TYP	MAX	UNIT
<b>REFERENCE</b>					
Output voltage	$T_J = 25^\circ\text{C}$ , $I_O = 1 \text{ mA}$	5.05	5.10	5.15	V
Line regulation	$10 \text{ V} < V_{CC} < 30 \text{ V}$		2	20	mV
Load regulation	$1 \text{ mA} < I_O < 10 \text{ mA}$		5	20	mV
Total output variation	Line, load, temperature	5.0		5.2	V
Output noise voltage	$10 \text{ Hz} < f < 10 \text{ kHz}$		50		$\mu\text{V}$
Short-circuit current	$V_{REF} = 0 \text{ V}$	-15	-50	-100	mA
<b>OSCILLATOR SECTION</b>					
Initial accuracy	$T_J = 25^\circ\text{C}$	360	400	440	kHz
Voltage stability	$10 \text{ V} < V_{CC} < 30 \text{ V}$		0.2%	2%	
Temperature stability	$T_{MIN} < T_A < T_{MAX}$		5%		
Total variation	Line, Temperature	340		460	kHz
Clock out high		3.9	4.5		V
Clock out low			2.3	2.9	V
Ramp peak <sup>(1)</sup>		2.6	2.8	3.0	V
Ramp valley <sup>(1)</sup>		0.7	1.0	1.25	V
Ramp valley to peak <sup>(1)</sup>		1.6	1.8	2.1	V
<b>ERROR AMPLIFIER</b>					
Input offset voltage				10	mV
Input bias current			0.6	3	$\mu\text{A}$
Input offset current			0.1	1	$\mu\text{A}$
Open-loop gain	$1 \text{ V} < V_O < 4 \text{ V}$	60	95		dB
CMRR	$1.5 \text{ V} < V_{CM} < 5.5 \text{ V}$	75	95		dB
PSRR	$10 \text{ V} < V_{CC} < 30 \text{ V}$	85	110		dB
Output sink current	$V_{E/AOut} = 1 \text{ V}$	1	2.5		mA
Output source current	$V_{E/AOut} = 4 \text{ V}$	-0.5	-1.3		mA
Output high voltage	$I_{E/AOut} = -0.5 \text{ mA}$	4.0	4.7	5.0	V
Output low voltage	$I_{E/AOut} = 1 \text{ mA}$	0	0.5	1.0	V
Gain bandwidth product <sup>(1)</sup>	$f = 200 \text{ kHz}$	5	10.5		MHz
Slew rate <sup>(1)</sup>		4	9		$\text{V}/\mu\text{s}$
<b>PWM COMPARATOR</b>					
Ramp bias current	$V_{Ramp} = 0 \text{ V}$		-1	-5	$\mu\text{A}$
Duty cycle range		0%		80%	
E/A out zero dc threshold	$V_{Ramp} = 0 \text{ V}$	1.1	1.25		V
Delay to output <sup>(1)</sup>			50	80	ns
<b>SOFT-START</b>					
Charge current	$V_{Soft Start} = 0.5 \text{ V}$	3	9	20	$\mu\text{A}$
Discharge current	$V_{Soft Start} = 1 \text{ V}$	1			mA
<b>CURRENT LIMIT/SHUTDOWN</b>					
Current limit/shutdown bias current	$0 < V_{ILIM/SD} < 4 \text{ V}$			15	$\mu\text{A}$
Current limit threshold		0.9	1.0	1.1	V
Shutdown threshold		1.25	1.40	1.55	V
Delay to output <sup>(1)</sup>			50	80	ns

(1) Parameters ensured by design and/or characterization, if not production tested.

## ELECTRICAL CHARACTERISTICS (continued)

Unless otherwise stated, these specifications apply for  $R_T = 3.65 \text{ k}\Omega$ ,  $C_T = 1 \text{ nF}$ ,  $V_{CC} = 15 \text{ V}$ ,  $-55^\circ\text{C} < T_A < 125^\circ\text{C}$ ,  $T_A = T_J$

PARAMETERS	TEST CONDITIONS	MIN	TYP	MAX	UNIT
<b>OUTPUT</b>					
Low-level output voltage	$I_{OUT} = 20 \text{ mA}$		0.25	0.40	V
	$I_{OUT} = 200 \text{ mA}$		1.2	2.2	V
High-level output voltage	$I_{OUT} = -20 \text{ mA}$	13.0	13.5		V
	$I_{OUT} = -200 \text{ mA}$	12.0	13.0		V
Collector leakage	$V_C = 30 \text{ V}$		10	500	$\mu\text{A}$
Rise/fall time <sup>(2)</sup>	$C_L = 1 \text{ nF}$		30	75	ns
<b>UNDER-VOLTAGE LOCKOUT</b>					
Start threshold		8.8	9.2	9.6	V
UVLO hysteresis		0.4	0.8	1.2	V
<b>SUPPLY CURRENT SECTION</b>					
Startup current	$V_{CC} = 8 \text{ V}$		1.1	2.5	mA
$I_{CC}$	$V_{INV} = V_{Ramp} = V_{ILIM/SD} = 0 \text{ V}$ , $V_{NI} = 1 \text{ V}$		22	33	mA

(2) Parameters ensured by design and/or characterization, if not production tested.

## PRINTED CIRCUIT BOARD LAYOUT CONSIDERATIONS

High speed circuits demand careful attention to layout and component placement. To ensure proper performance of the UC1825 follow these rules:

1. Use a ground plane.
2. Damp or clamp parasitic inductive kick energy from the gate of driven MOSFETs. Do not allow the output pins to ring below ground. A series gate resistor or a shunt 1-A Schottky diode at the output pin serves this purpose.
3. Bypass  $V_{CC}$ ,  $V_C$ , and  $V_{REF}$ . Use 0.1- $\mu\text{F}$  monolithic ceramic capacitors with low equivalent series inductance. Allow less than 1-cm of total lead length for each capacitor between the bypassed pin and the ground plane.
4. Treat the timing capacitor,  $C_T$ , like a bypass capacitor.

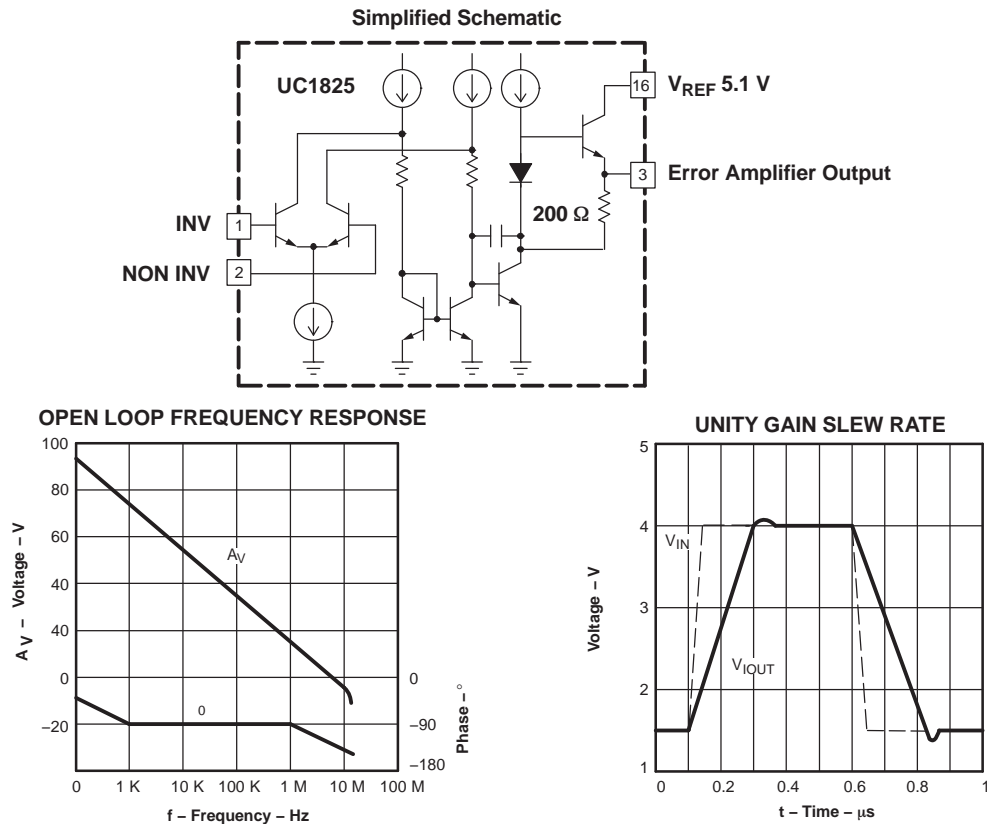


Figure 1. Error Amplifier

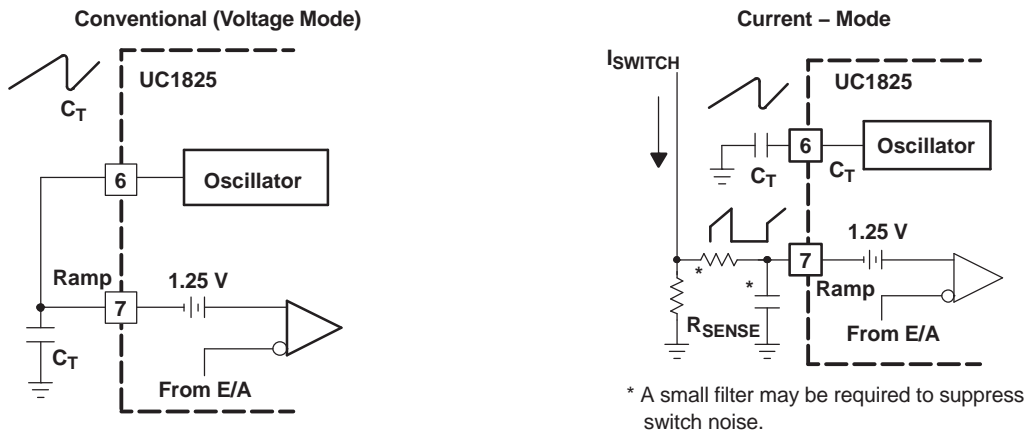


Figure 2. PWM Applications

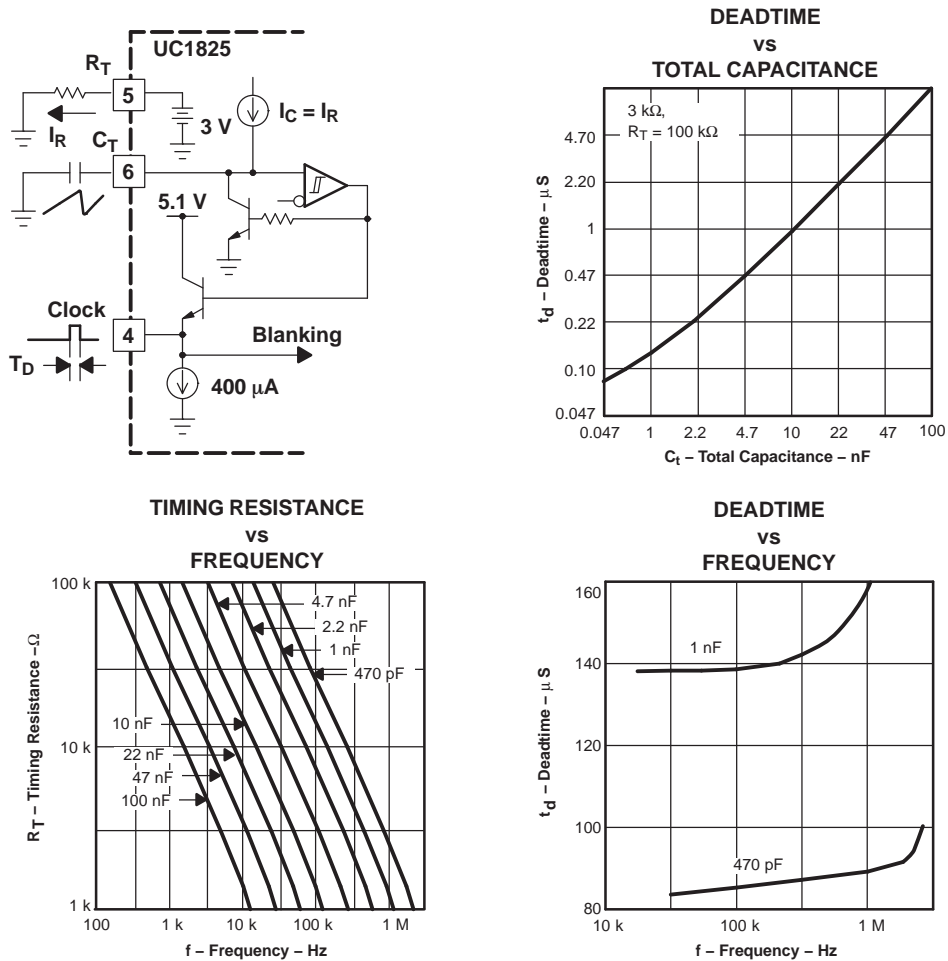


Figure 3. Oscillator Circuit



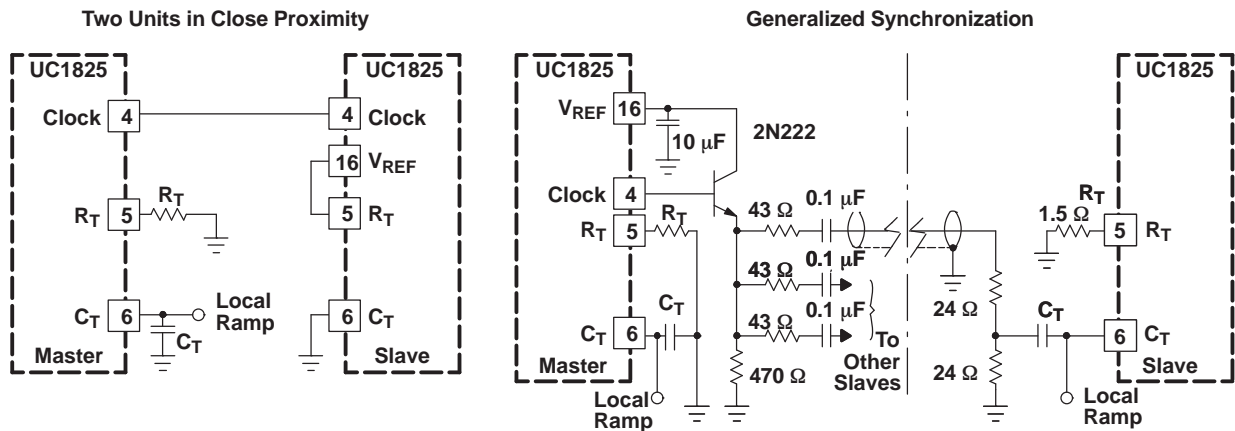


Figure 4. Synchronized Operation

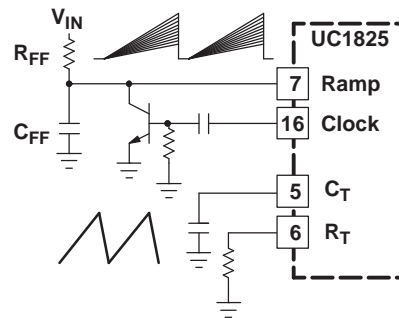


Figure 5. Forward Technique for Off-Line Voltage Mode Application

The circuit shown in Figure 5 will achieve a constant volt-second product clamp over varying input voltages. The ramp generator components,  $R_T$  and  $C_R$  are chosen so that the ramp at the ILIM/SD pin crosses the 1-V threshold at the same time the desired maximum volt-second product is reached. The delay through the functional nor block must be such that the ramp capacitor can be completely discharged during the minimum deadtime.

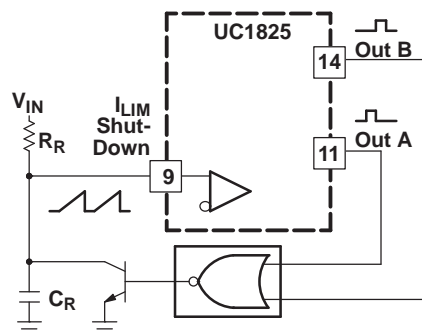


Figure 6. Constant Volt-Second Clamp Circuit

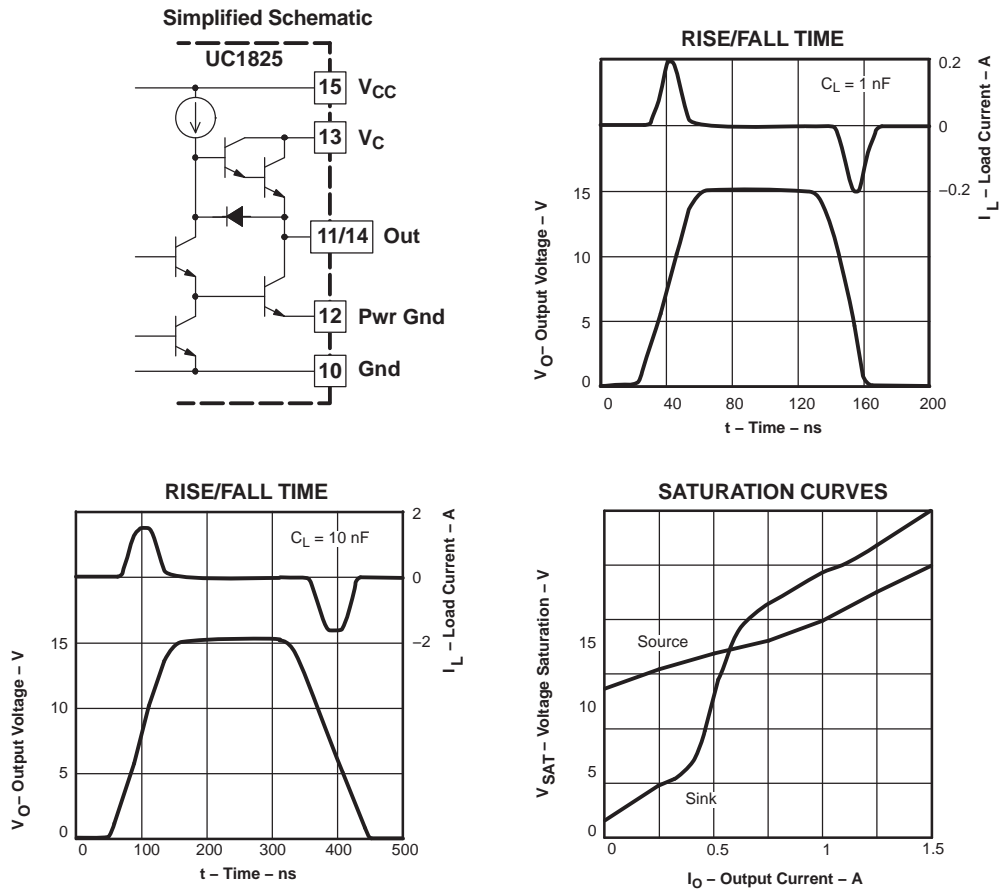
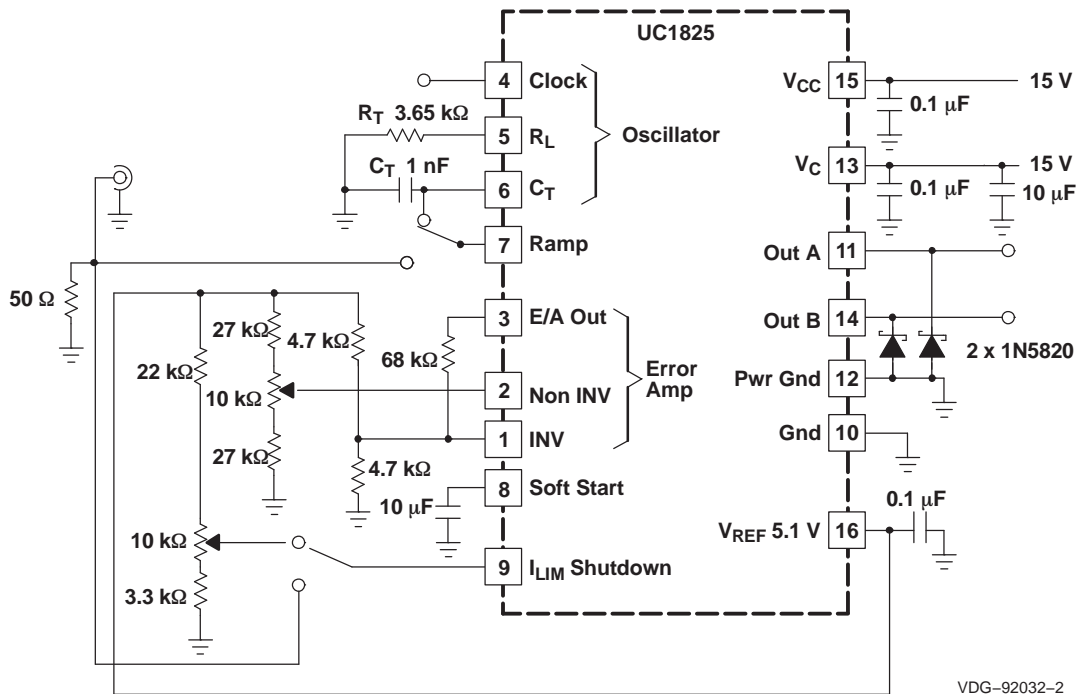


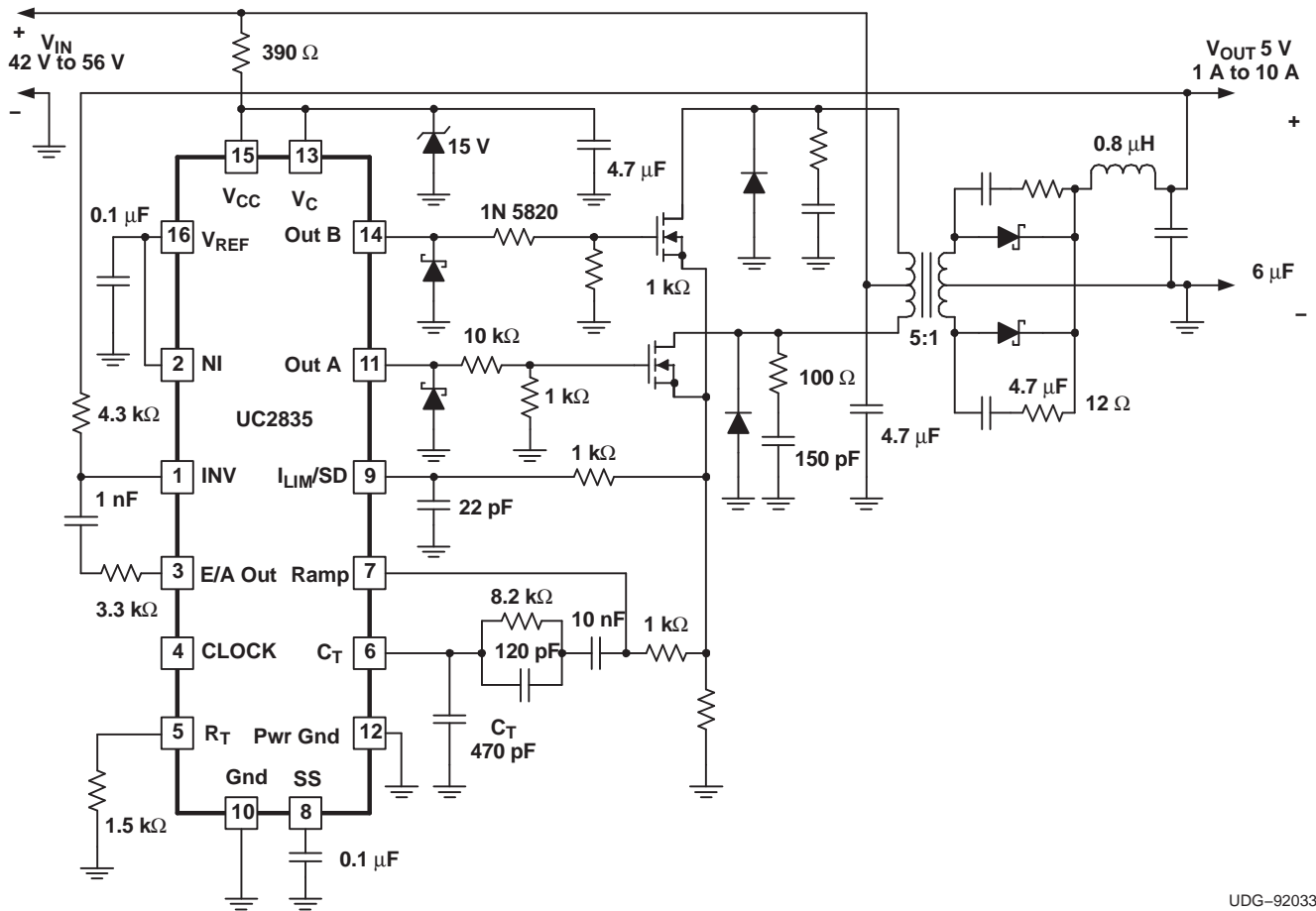
Figure 7. Output Section

The circuit in [Figure 7](#) is useful for exercising many of the UC1825 functions and measuring their specifications. As with any wideband circuit, careful grounding and bypass procedures should be followed. The use of a ground plane is highly recommended.



VDG-92032-2

Figure 8. Open-Loop Laboratory Test Fixture



UDG-92033

Figure 9. Design Example: 50 W, 48-V to 5-V DC-to-DC Converter – 1.5-MHz Clock Frequency

**PACKAGING INFORMATION**

Orderable Device	Status <sup>(1)</sup>	Package Type	Package Drawing	Pins	Package Qty	Eco Plan <sup>(2)</sup>	Lead/Ball Finish	MSL Peak Temp <sup>(3)</sup>
5962-8768101V2A	ACTIVE	LCCC	FK	20	1	TBD	POST-PLATE	N / A for Pkg Type
5962-8768101VEA	ACTIVE	CDIP	J	16	1	TBD	A42	N / A for Pkg Type
5962-8768104V2A	ACTIVE	LCCC	FK	20	1	TBD	POST-PLATE	N / A for Pkg Type
5962-8768104VEA	ACTIVE	CDIP	J	16	1	TBD	A42	N / A for Pkg Type

<sup>(1)</sup> The marketing status values are defined as follows:

**ACTIVE:** Product device recommended for new designs.

**LIFEBUY:** TI has announced that the device will be discontinued, and a lifetime-buy period is in effect.

**NRND:** Not recommended for new designs. Device is in production to support existing customers, but TI does not recommend using this part in a new design.

**PREVIEW:** Device has been announced but is not in production. Samples may or may not be available.

**OBSOLETE:** TI has discontinued the production of the device.

<sup>(2)</sup> Eco Plan - The planned eco-friendly classification: Pb-Free (RoHS), Pb-Free (RoHS Exempt), or Green (RoHS & no Sb/Br) - please check <http://www.ti.com/productcontent> for the latest availability information and additional product content details.

**TBD:** The Pb-Free/Green conversion plan has not been defined.

**Pb-Free (RoHS):** TI's terms "Lead-Free" or "Pb-Free" mean semiconductor products that are compatible with the current RoHS requirements for all 6 substances, including the requirement that lead not exceed 0.1% by weight in homogeneous materials. Where designed to be soldered at high temperatures, TI Pb-Free products are suitable for use in specified lead-free processes.

**Pb-Free (RoHS Exempt):** This component has a RoHS exemption for either 1) lead-based flip-chip solder bumps used between the die and package, or 2) lead-based die adhesive used between the die and leadframe. The component is otherwise considered Pb-Free (RoHS compatible) as defined above.

**Green (RoHS & no Sb/Br):** TI defines "Green" to mean Pb-Free (RoHS compatible), and free of Bromine (Br) and Antimony (Sb) based flame retardants (Br or Sb do not exceed 0.1% by weight in homogeneous material)

<sup>(3)</sup> MSL, Peak Temp. -- The Moisture Sensitivity Level rating according to the JEDEC industry standard classifications, and peak solder temperature.

**Important Information and Disclaimer:**The information provided on this page represents TI's knowledge and belief as of the date that it is provided. TI bases its knowledge and belief on information provided by third parties, and makes no representation or warranty as to the accuracy of such information. Efforts are underway to better integrate information from third parties. TI has taken and continues to take reasonable steps to provide representative and accurate information but may not have conducted destructive testing or chemical analysis on incoming materials and chemicals. TI and TI suppliers consider certain information to be proprietary, and thus CAS numbers and other limited information may not be available for release.

In no event shall TI's liability arising out of such information exceed the total purchase price of the TI part(s) at issue in this document sold by TI to Customer on an annual basis.

**OTHER QUALIFIED VERSIONS OF UC1825-SP :**

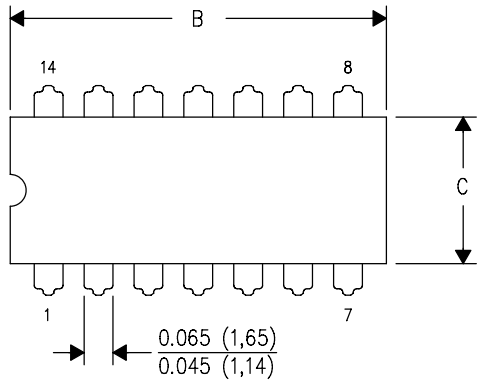
- Catalog: [UC1825](#)

NOTE: Qualified Version Definitions:

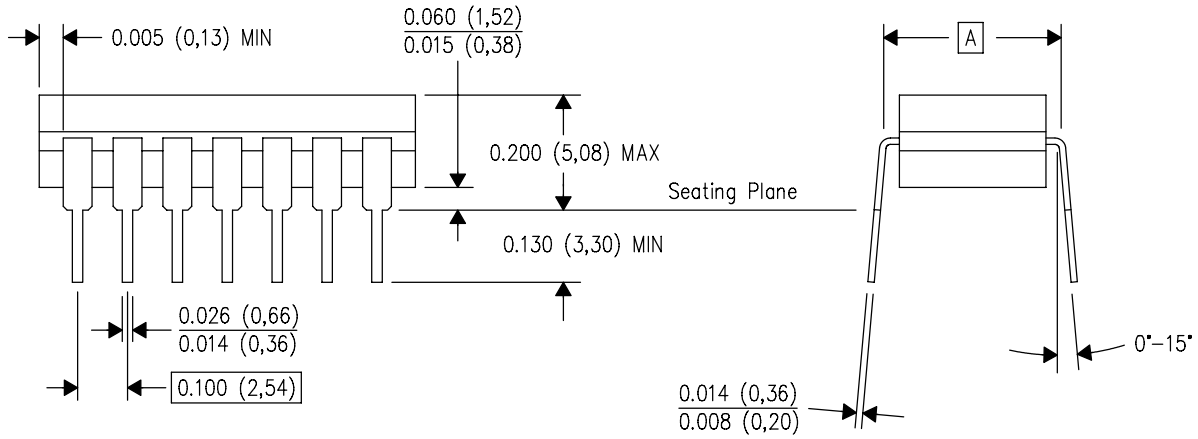
- Catalog - TI's standard catalog product

J (R-GDIP-T\*\*)   
 14 LEADS SHOWN

CERAMIC DUAL IN-LINE PACKAGE



DIM \ PINS **	14	16	18	20
A	0.300 (7,62) BSC	0.300 (7,62) BSC	0.300 (7,62) BSC	0.300 (7,62) BSC
B MAX	0.785 (19,94)	.840 (21,34)	0.960 (24,38)	1.060 (26,92)
B MIN	—	—	—	—
C MAX	0.300 (7,62)	0.300 (7,62)	0.310 (7,87)	0.300 (7,62)
C MIN	0.245 (6,22)	0.245 (6,22)	0.220 (5,59)	0.245 (6,22)



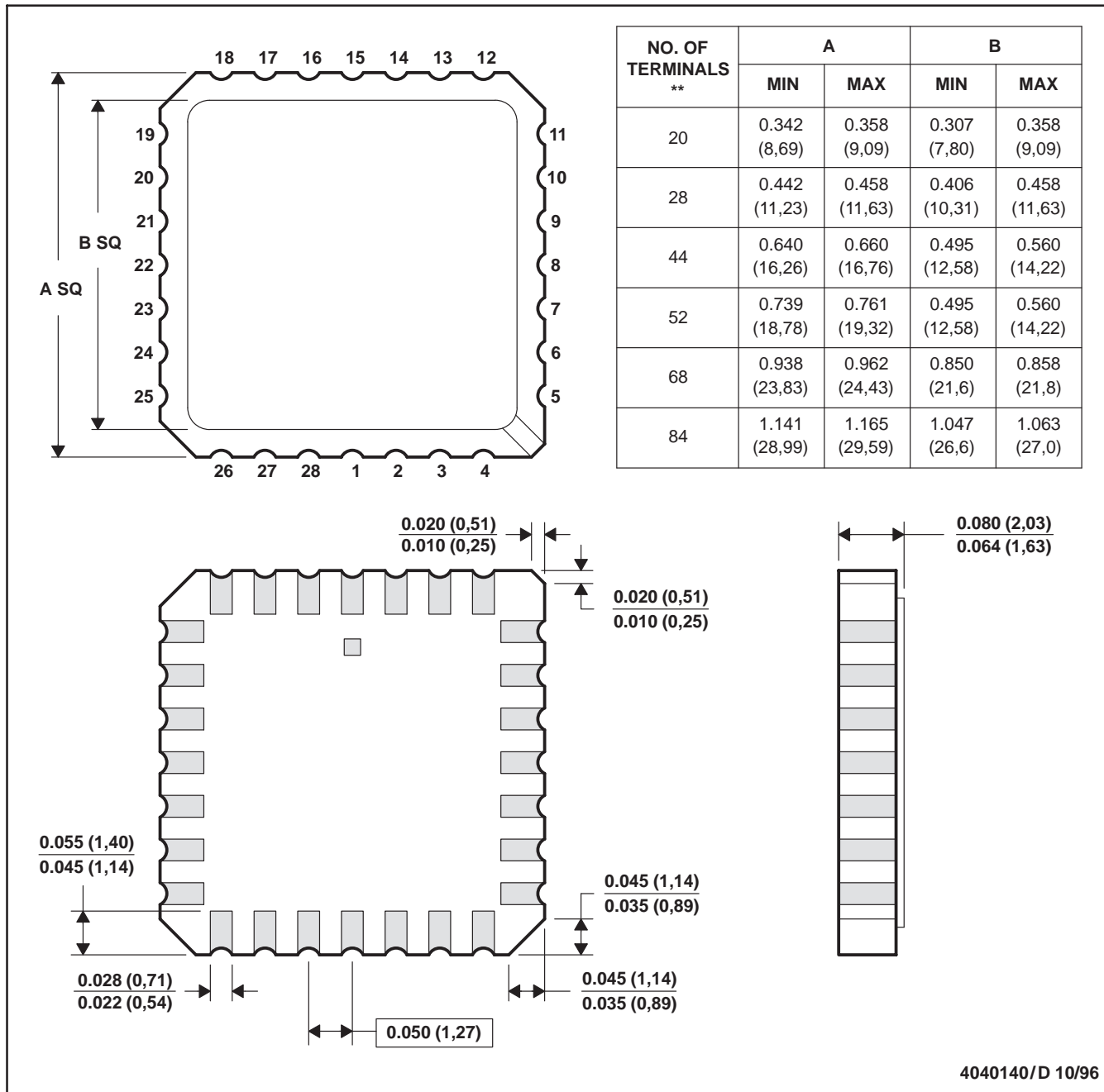
4040083/F 03/03

- NOTES:
- A. All linear dimensions are in inches (millimeters).
  - B. This drawing is subject to change without notice.
  - C. This package is hermetically sealed with a ceramic lid using glass frit.
  - D. Index point is provided on cap for terminal identification only on press ceramic glass frit seal only.
  - E. Falls within MIL STD 1835 GDIP1-T14, GDIP1-T16, GDIP1-T18 and GDIP1-T20.

FK (S-CQCC-N\*\*)

LEADLESS CERAMIC CHIP CARRIER

28 TERMINAL SHOWN



- NOTES:
- A. All linear dimensions are in inches (millimeters).
  - B. This drawing is subject to change without notice.
  - C. This package can be hermetically sealed with a metal lid.
  - D. The terminals are gold plated.
  - E. Falls within JEDEC MS-004

## IMPORTANT NOTICE

Texas Instruments Incorporated and its subsidiaries (TI) reserve the right to make corrections, modifications, enhancements, improvements, and other changes to its products and services at any time and to discontinue any product or service without notice. Customers should obtain the latest relevant information before placing orders and should verify that such information is current and complete. All products are sold subject to TI's terms and conditions of sale supplied at the time of order acknowledgment.

TI warrants performance of its hardware products to the specifications applicable at the time of sale in accordance with TI's standard warranty. Testing and other quality control techniques are used to the extent TI deems necessary to support this warranty. Except where mandated by government requirements, testing of all parameters of each product is not necessarily performed.

TI assumes no liability for applications assistance or customer product design. Customers are responsible for their products and applications using TI components. To minimize the risks associated with customer products and applications, customers should provide adequate design and operating safeguards.

TI does not warrant or represent that any license, either express or implied, is granted under any TI patent right, copyright, mask work right, or other TI intellectual property right relating to any combination, machine, or process in which TI products or services are used. Information published by TI regarding third-party products or services does not constitute a license from TI to use such products or services or a warranty or endorsement thereof. Use of such information may require a license from a third party under the patents or other intellectual property of the third party, or a license from TI under the patents or other intellectual property of TI.

Reproduction of TI information in TI data books or data sheets is permissible only if reproduction is without alteration and is accompanied by all associated warranties, conditions, limitations, and notices. Reproduction of this information with alteration is an unfair and deceptive business practice. TI is not responsible or liable for such altered documentation. Information of third parties may be subject to additional restrictions.

Resale of TI products or services with statements different from or beyond the parameters stated by TI for that product or service voids all express and any implied warranties for the associated TI product or service and is an unfair and deceptive business practice. TI is not responsible or liable for any such statements.

TI products are not authorized for use in safety-critical applications (such as life support) where a failure of the TI product would reasonably be expected to cause severe personal injury or death, unless officers of the parties have executed an agreement specifically governing such use. Buyers represent that they have all necessary expertise in the safety and regulatory ramifications of their applications, and acknowledge and agree that they are solely responsible for all legal, regulatory and safety-related requirements concerning their products and any use of TI products in such safety-critical applications, notwithstanding any applications-related information or support that may be provided by TI. Further, Buyers must fully indemnify TI and its representatives against any damages arising out of the use of TI products in such safety-critical applications.

TI products are neither designed nor intended for use in military/aerospace applications or environments unless the TI products are specifically designated by TI as military-grade or "enhanced plastic." Only products designated by TI as military-grade meet military specifications. Buyers acknowledge and agree that any such use of TI products which TI has not designated as military-grade is solely at the Buyer's risk, and that they are solely responsible for compliance with all legal and regulatory requirements in connection with such use.

TI products are neither designed nor intended for use in automotive applications or environments unless the specific TI products are designated by TI as compliant with ISO/TS 16949 requirements. Buyers acknowledge and agree that, if they use any non-designated products in automotive applications, TI will not be responsible for any failure to meet such requirements.

Following are URLs where you can obtain information on other Texas Instruments products and application solutions:

<b>Products</b>		<b>Applications</b>	
Amplifiers	<a href="http://amplifier.ti.com">amplifier.ti.com</a>	Audio	<a href="http://www.ti.com/audio">www.ti.com/audio</a>
Data Converters	<a href="http://dataconverter.ti.com">dataconverter.ti.com</a>	Automotive	<a href="http://www.ti.com/automotive">www.ti.com/automotive</a>
DLP® Products	<a href="http://www.dlp.com">www.dlp.com</a>	Communications and Telecom	<a href="http://www.ti.com/communications">www.ti.com/communications</a>
DSP	<a href="http://dsp.ti.com">dsp.ti.com</a>	Computers and Peripherals	<a href="http://www.ti.com/computers">www.ti.com/computers</a>
Clocks and Timers	<a href="http://www.ti.com/clocks">www.ti.com/clocks</a>	Consumer Electronics	<a href="http://www.ti.com/consumer-apps">www.ti.com/consumer-apps</a>
Interface	<a href="http://interface.ti.com">interface.ti.com</a>	Energy	<a href="http://www.ti.com/energy">www.ti.com/energy</a>
Logic	<a href="http://logic.ti.com">logic.ti.com</a>	Industrial	<a href="http://www.ti.com/industrial">www.ti.com/industrial</a>
Power Mgmt	<a href="http://power.ti.com">power.ti.com</a>	Medical	<a href="http://www.ti.com/medical">www.ti.com/medical</a>
Microcontrollers	<a href="http://microcontroller.ti.com">microcontroller.ti.com</a>	Security	<a href="http://www.ti.com/security">www.ti.com/security</a>
RFID	<a href="http://www.ti-rfid.com">www.ti-rfid.com</a>	Space, Avionics & Defense	<a href="http://www.ti.com/space-avionics-defense">www.ti.com/space-avionics-defense</a>
RF/IF and ZigBee® Solutions	<a href="http://www.ti.com/lprf">www.ti.com/lprf</a>	Video and Imaging	<a href="http://www.ti.com/video">www.ti.com/video</a>
		Wireless	<a href="http://www.ti.com/wireless-apps">www.ti.com/wireless-apps</a>