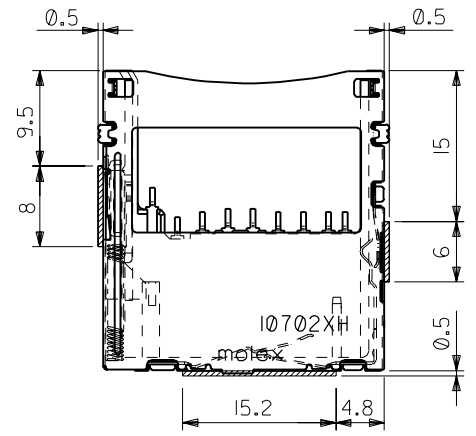
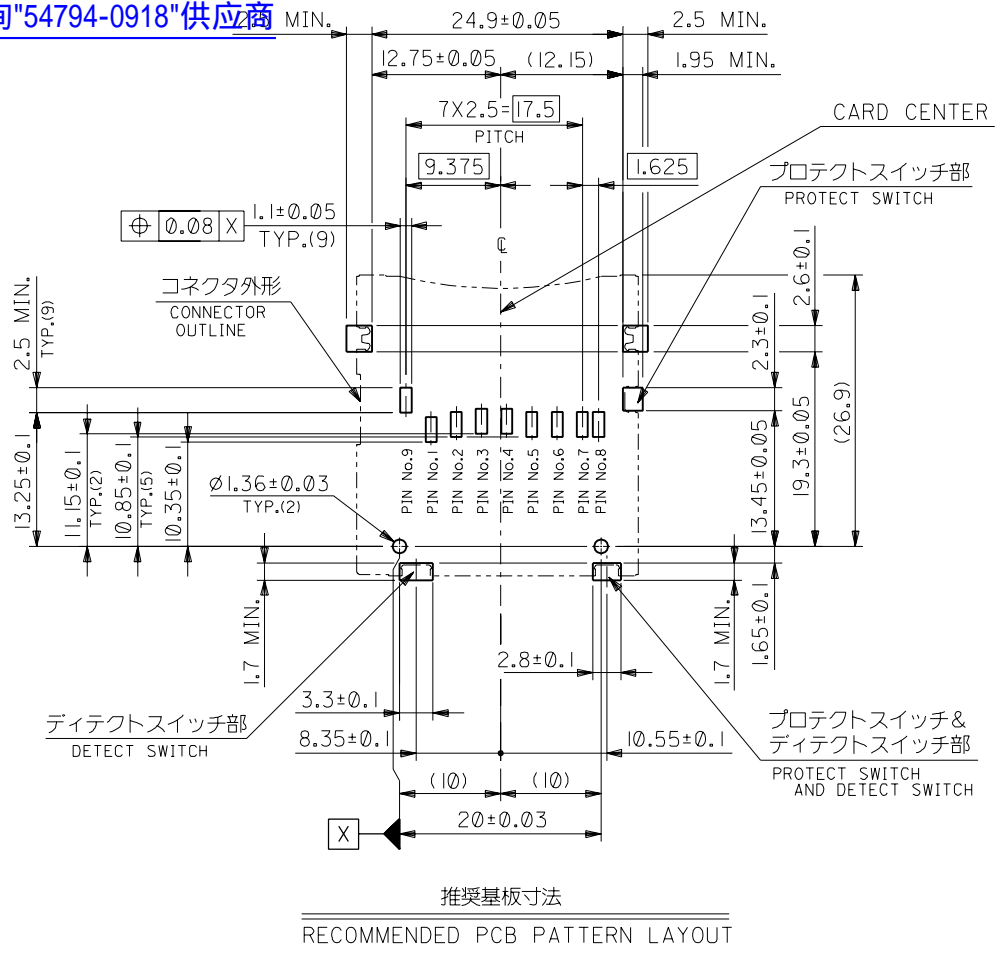


[查询"54794-0918"供应商](#)



部品実装禁止エリア
AREA OF PARTS MOUNTING PROHIBITION

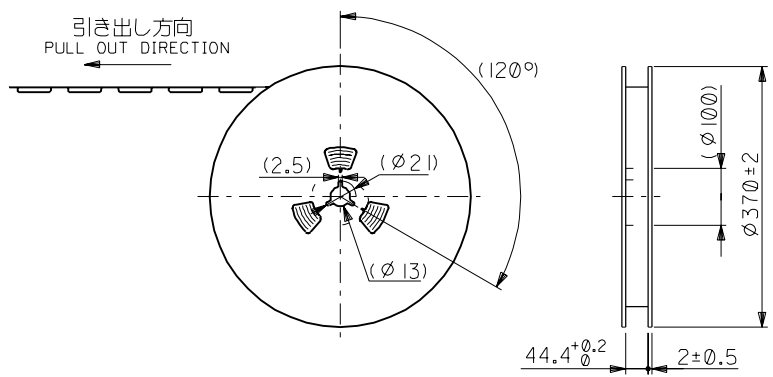
推奨基板寸法
RECOMMENDED PCB PATTERN LAYOUT

DO NOT SCALE DRAWING

EC NO. DRWN: CHK: APPR:		EC NO. DRWN: CHK: APPR:		EC NO. DRWN: CHK: APPR:		EC NO. DRWN: CHK: APPR:		SEE SHEET 1 OF 2		MATERIAL 材料		GENERAL TOLERANCES: (UNLESS SPECIFIED) 一般公差		SCALE 2 - 1		DESIGN UNITS mm INCH		THIRD ANGLE PROJECTION		DIMENSIONS: <input type="checkbox"/> mm <input type="checkbox"/> INCH <input checked="" type="checkbox"/> mm ONLY		SHT REV			
										DESCRIPTION		10 UNDER 未滿		±0.2		DRAWN BY & DATE <i>J. Matsuura</i> 2000/05/12		TITLE: SD MEMORY CARD CONN. ASS'Y (NORMAL TYPE)							
										FINISH 仕上げ		10 OVER 30 UNDER 未滿		±0.25		CHECKED BY & DATE <i>Y. Ota</i>		MOLEX MOLEX INCORPORATED							
										WIRE RANGE 適用電線範囲		30 OVER 以上		±0.3		APPROVED BY & DATE <i>H. Hanyu</i>									
										REV		ANGLE 角度		±3°		CAD FILENAME 54794002.S02		MATERIAL NO. SEE SHEET 1 OF 2		DRAWING NO. SD-54794-002		SHEET NO. 2			
										INS. RANGE 被覆外径												THIS DRAWING CONTAINS INFORMATION THAT IS PROPRIETARY TO MOLEX INCORPORATED AND SHOULD NOT BE USED WITHOUT WRITTEN PERMISSION.		SIZE B	

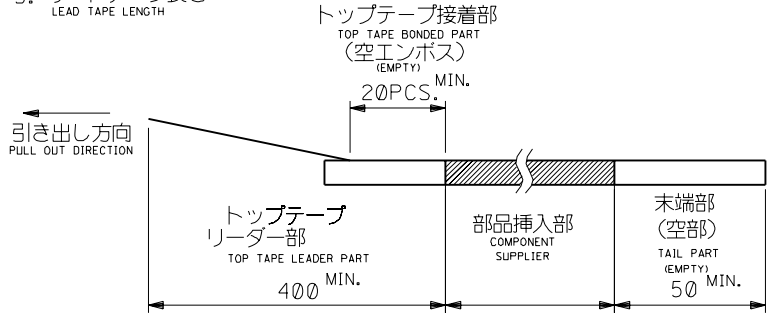
DWG. NO.
SD-54794-007

查询"54794-0918"供应商



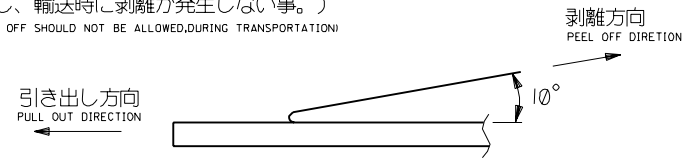
注)
NOTES

- 製品番号 54794-0911の詳細寸法については、SD図面を参照下さい。
IN THE PACKAGE, PART NO. 54794-0911 DETAILED DIMENSIONS, SEE SALES DRAWING.
- 梱包数量 : 400個/リール
NUMBER OF CONNECTORS : 400 PCS/REEL
- リードテープ長さ
LEAD TAPE LENGTH



- トップテープの剥離強度 : (剥離方向は下図参照)
PEELING OFF FORCE OF TOP TAPE (PEELING DIRECTION AS SHOWN IN FOLLOWING FIG.)
0.1~1.3N (10.2~130gf) : キャリアテープ幅 44mm
CARRIER TAPE WIDTH 44mm

尚、本規格値は、出荷時に適用。
THIS REQUIREMENT SHOULD BE APPLIED AT SHIPMENT
(但し、輸送時に剥離が発生しない事。)
(PEEL OFF SHOULD NOT BE ALLOWED DURING TRANSPORTATION)



- 材料
MATERIAL
キャリアテープ : ポリプロピレン (PP)
CARRIER TAPE : POLYPROPYLENE (PP)
トップテープ : PET, PE, PEF
TOP TAPE : PET, PE, PEF
リール : 紙/プラスチック
REEL : CARD BOARD/PLASTIC

DO NOT SCALE DRAWING

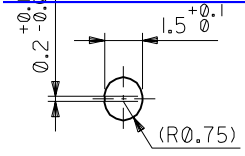
変更 REVISD	064NO. JD2001-0967	DRWN: J.MIYAZAWA '00/06/19	CHK: Y.IITO '01/06/19	APPR: HIKESUGI '01/06/19
変更 REVISD	063NO. JD2001-0550	DRWN: J.MIYAZAWA '00/10/17	CHK: Y.IITO '00/10/17	APPR: HIKESUGI '00/10/17
変更 REVISD	062NO. JD2001-0422	DRWN: J.MIYAZAWA '00/09/19	CHK: Y.IITO '00/09/19	APPR: HIKESUGI '00/09/19
変更 REVISD	061NO.	DRWN: J.MIYAZAWA '00/09/06	CHK: Y.IITO '00/09/06	APPR: HIKESUGI '00/09/06
新規作成 RELEASED	060NO.	DRWN: J.MIYAZAWA '00/06/29	CHK: Y.IITO '00/06/29	APPR: HIKESUGI '00/06/29

MATERIAL 材料		GENERAL TOLERANCES: (UNLESS SPECIFIED) 一般公差		SCALE	DESIGN UNITS	APPROX ANGLE PROJECTION	DIMENSIONS: <input type="checkbox"/> mm <input type="checkbox"/> INCH <input checked="" type="checkbox"/> mm ONLY		SHT	REV	
注参照 SEE NOTES	FINISH 仕上げ	10 UNDER 未満	±0.2	—	<input checked="" type="checkbox"/> mm <input type="checkbox"/> INCH		TITLE: 54794-0911 TAPING PACKAGE		—	—	
WIRE RANGE 適用線径範囲	—	10 OVER 以上	±0.25	—	DRAWN BY & DATE	MATERIAL NO. DRAWING NO. SHEET NO.					
INS. RANGE 被覆外径	—	30 UNDER 未満	±0.3	—	CHECKED BY & DATE						
—	—	30 OVER 以上	±0.3	—	APPROVED BY & DATE	MOLEX INCORPORATED					
—	—	ANGLE 角度	±3°	—	CAD FILE NAME	54794007.S01		SEE CHART		SD-54794-007	1 OF 2

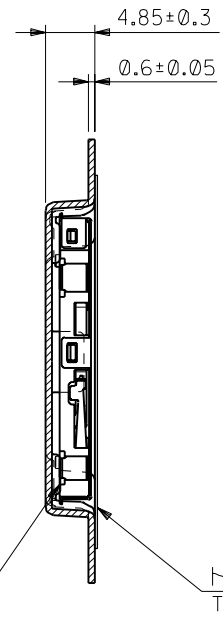
THIS DRAWING CONTAINS INFORMATION THAT IS PROPRIETARY TO MOLEX INCORPORATED AND SHOULD NOT BE USED WITHOUT WRITTEN PERMISSION.

DWG. NO. SD-54794-007

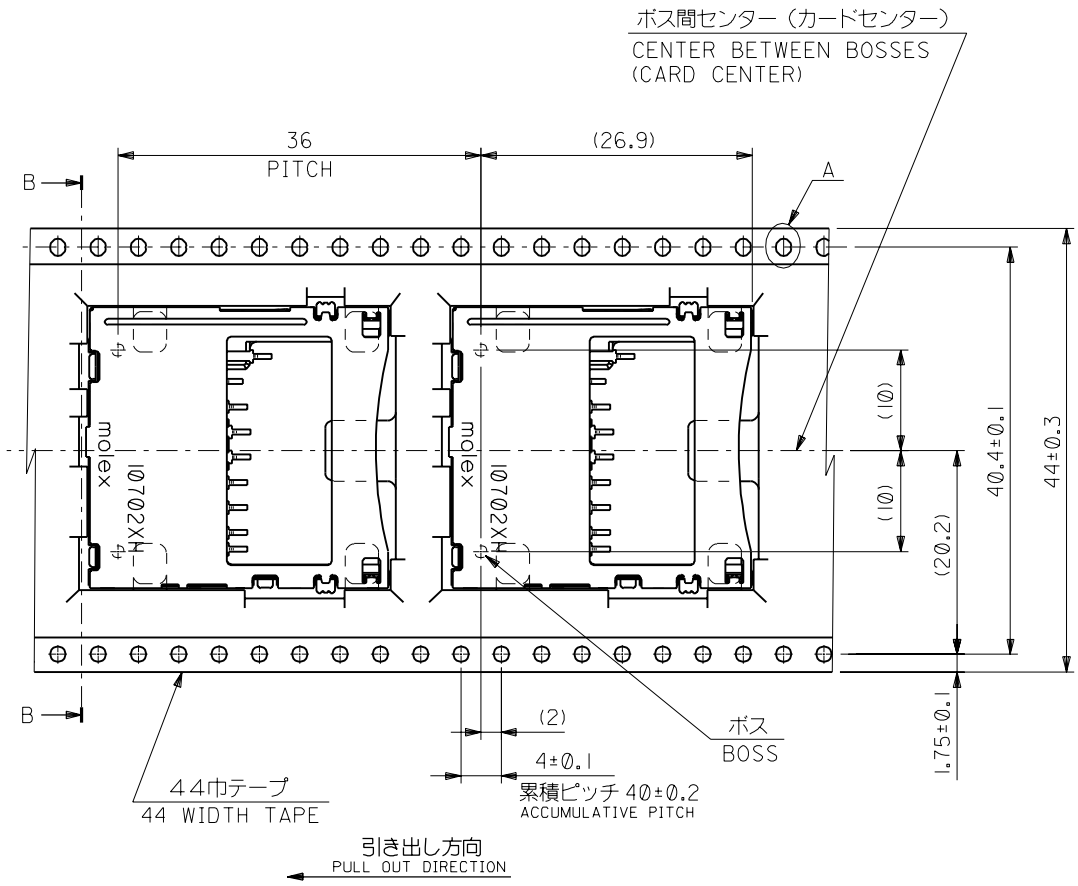
[查询"54794-0918"供应商](#)



DETAIL A
(5-1)



SECTION B-B



DO NOT SCALE DRAWING

EC NO. DRWN: CHK: APPR:	EC NO. DRWN: CHK: APPR:	EC NO. DRWN: CHK: APPR:	EC NO. DRWN: CHK: APPR:	SEE SHEET 1 OF 2	DESCRIPTION	MATERIAL 材料	GENERAL TOLERANCES: (UNLESS SPECIFIED) 一般公差	SCALE	DESIGN UNITS	THIRD ANGLE PROJECTION	DIMENSIONS: <input type="checkbox"/> mm <input type="checkbox"/> INCH	SHT	REV
						SEE SHEET 1 OF 2	10 UNDER 未満	#	<input checked="" type="checkbox"/> mm <input type="checkbox"/> INCH				
						FINISH 仕上げ	10 OVER 以上	30 UNDER 未満	00/06/29	TITLE:			
						WIRE RANGE 適用電線範囲	30 OVER 以上	±0.3	00/06/29	54794-0911 TAPING PACKAGE			
REV	INS. RANGE 被覆外径	—	ANGLE 角度	±3°	APPROVED BY & DATE	MATERIAL NO.	DRAWING NO.	SHEET NO.					
					54794007.S02	SEE SHEET 1 OF 2	SD-54794-007	2					

THIS DRAWING CONTAINS INFORMATION THAT IS PROPRIETARY TO MOLEX INCORPORATED AND SHOULD NOT BE USED WITHOUT WRITTEN PERMISSION.