

[查询"MDS001"供应商](#)



### Features/Benefits

- Snap-acting tactile feel
- Small package size
- Available in vertical or right angle PCB mount
- Long total travel of 2,9 mm
- RoHS compliant

### Typical Applications

- Detect the presence of a mechanical device
- Medical devices
- Consumer electronic devices

### Specifications

CONTACT RATING: 0.3A @ 6 VDC.  
 MECHANICAL & ELECTRICAL LIFE: 10,000 operations.  
 CONTACT RESISTANCE: 200 m Ω max.  
 OPERATING TEMPERATURE: -25°C to +70°C.  
 SOLDERABILITY: Wave solder, no wash.  
 PACKAGING: Bulk.

### Materials

HOUSING & BASE: P.P.S.  
 ACTUATOR: Nylon 4/6  
 MOVABLE CONTACT: Copper alloy, tin & silver plated.  
 STATIONARY CONTACTS: Copper alloy, silver plated.  
 TERMINALS: Copper alloy, tin plated.

**NOTE:** MDS series is RoHS compliant, but not compatible. See technical data section of this catalog for RoHS compliant and compatible definitions and specifications.

**NOTE:** For the latest information regarding RoHS compliance, please go to: [www.ittcannon.com/rohs](http://www.ittcannon.com/rohs).

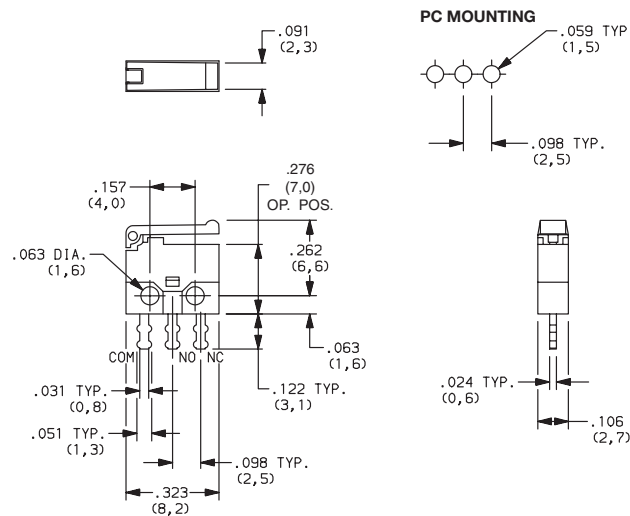
**NOTE:** Specifications and materials listed above are for switches with standard options. For information on specific and custom switches, consult Customer Service Center.

### How To Order

Complete part numbers for MDS Series Switches are shown below.



MDS001  
SPDT



PART NUMBER	DESCRIPTION
<b>MDS001</b>	Vertical
SCHEMATIC	
SPDT	



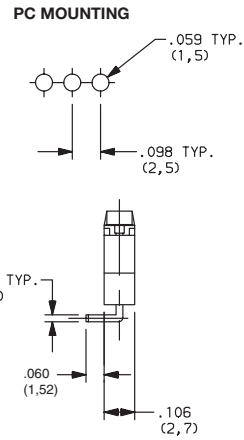
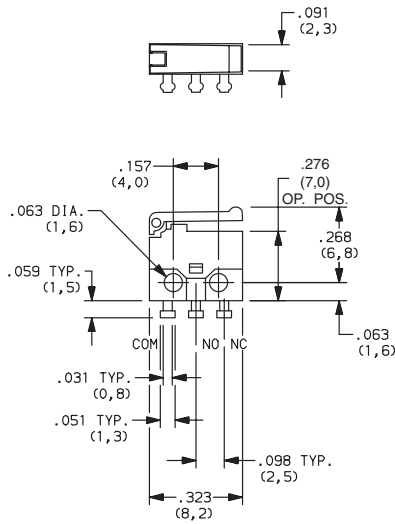
Third Angle  
Projection

Dimensions are shown: Inch (mm)  
 Specifications and dimensions subject to change

# MDS Series Micro Snap-acting Detect Switches

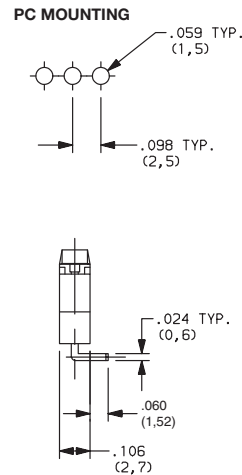
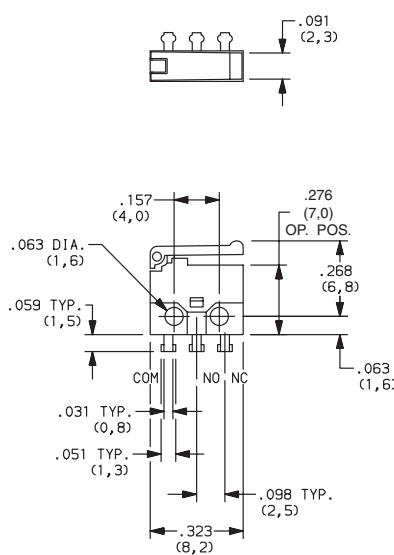
[查询 MDS001 供应商](#)

PART NUMBER	DESCRIPTION
<b>MDS002</b>	Right Angle, Left bend
SCHEMATIC	
SPDT	



**MDS002  
SPDT**

PART NUMBER	DESCRIPTION
<b>MDS003</b>	Right Angle, Right bend
SCHEMATIC	
SPDT	



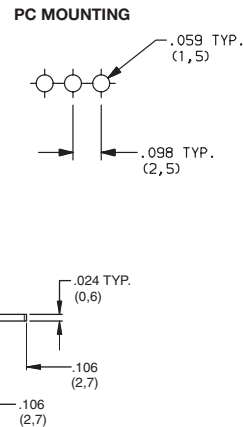
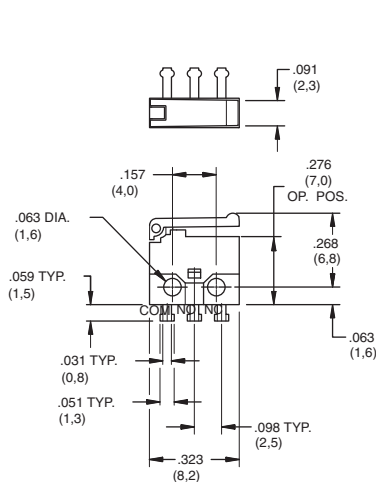
**MDS003  
SPDT**



F

Detect

PART NUMBER	DESCRIPTION
<b>MDS005</b>	Right Angle, Right bend
SCHEMATIC	
SPDT	



Third Angle  
Projection

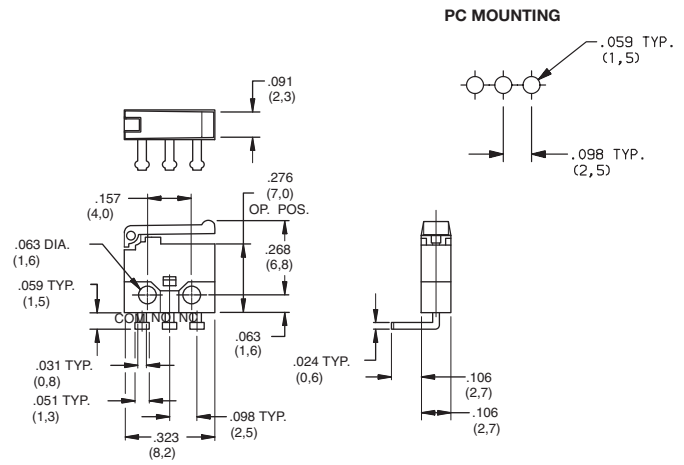
Dimensions are shown: Inch (mm)  
Specifications and dimensions subject to change



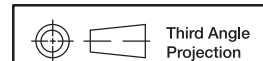
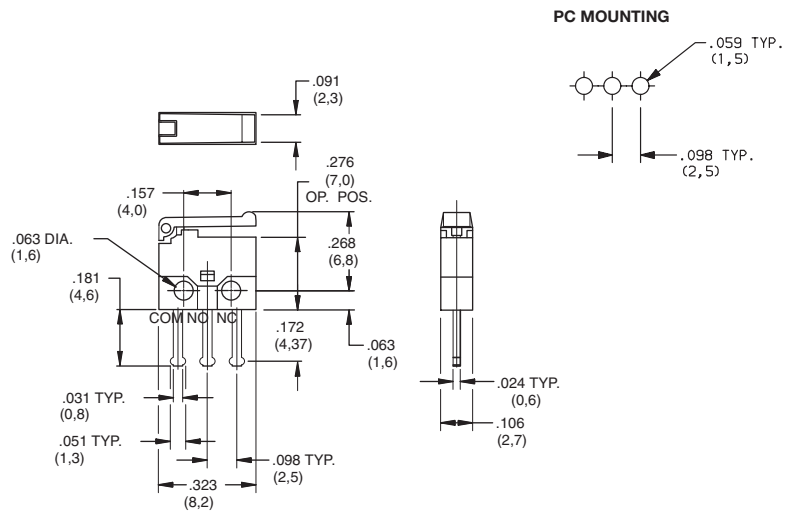
# MDS Series Micro Snap-acting Detect Switches

[查询"MDS001"供应商](#)

PART NUMBER	DESCRIPTION
<b>MDS006</b>	Right Angle, Left Bend
SCHMATIC	
SPDT	



PART NUMBER	DESCRIPTION
<b>MDS007</b>	Vertical
SCHMATIC	
SPDT	



Third Angle Projection  
Dimensions are shown: Inch (mm)  
Specifications and dimensions subject to change

