

# MC33267

## Low Dropout Regulator

The MC33267 is a positive fixed 5.0 V regulator that is specifically designed to maintain proper voltage regulation with an extremely low input-to-output voltage differential. This device is capable of supplying output currents in excess of 500 mA and contains internal current limiting and thermal shutdown protection. Also featured is an on-chip power-up reset circuit that is ideally suited for use in microprocessor based systems. Whenever the regulator output voltage is below nominal, the reset output is held low. A programmable time delay is initiated after the regulator has reached its nominal level and upon timeout, the reset output is released.

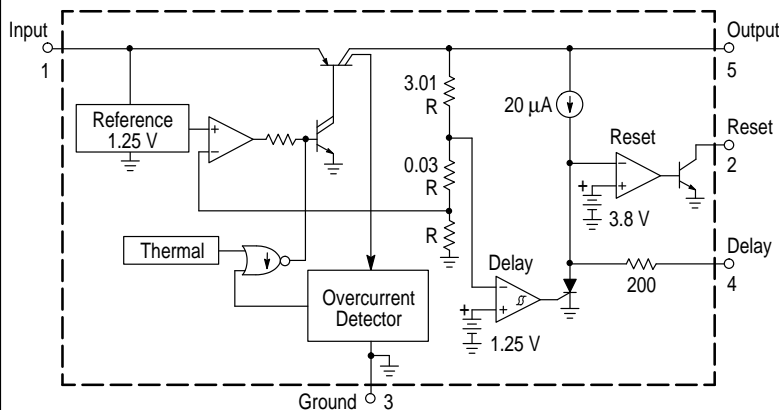
Due to the low dropout voltage specifications, the MC33267 is ideally suited for use in battery powered industrial and consumer equipment where an extension of useful battery life is desirable. This device is contained in an economical five lead TO-220 type package.

- Low Input-to-Output Voltage Differential
- Output Current in Excess of 500 mA
- On-Chip Power-Up Reset Circuit with Programmable Delay
- Internal Current Limiting with Thermal Shutdown
- Economical Five Lead TO-220 Type Packages

### ORDERING INFORMATION

| Device     | Tested Operating Temperature Range               | Package       |
|------------|--|---------------|
| MC33267T   | $T_J = -40^\circ \text{ to } +125^\circ\text{C}$ | Plastic Power |
| MC33267TV  |  | Plastic Power |
| MC33267D2T | $T_J = -40^\circ \text{ to } +105^\circ\text{C}$ | Surface Mount |

### Representative Block Diagram

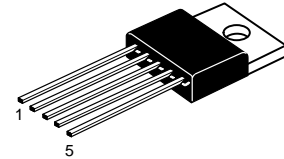


This device contains 37 active transistors.

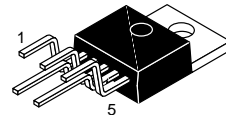
## LOW DROPOUT REGULATOR with POWER-UP RESET

### SEMICONDUCTOR TECHNICAL DATA

- Pin 1. V<sub>CC</sub> Input  
 2. Reset  
 3. Ground  
 4. Delay  
 5. Output

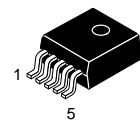


**T SUFFIX**  
 PLASTIC PACKAGE  
 CASE 314D



**TV SUFFIX**  
 PLASTIC PACKAGE  
 CASE 314B

Heatsink surface connected to Pin 3.



**D2T SUFFIX**  
 PLASTIC PACKAGE  
 CASE 936A  
 (D<sup>2</sup>PAK)

Heatsink surface (shown as terminal 6 in case outline drawing) is connected to Pin 3.

# MC33267

## MAXIMUM RATINGS

| Symbol   | Value  | Unit   |
|--|--|--|
| Input Voltage Range  | $V_{in}$   | - 20 to + 40<br>Vdc  |
| Delay Voltage Range  | $V_{DLYR}$   | - 0.3 to $V_O$<br>V  |
| Delay Sink Current   | $I_{DLY(sink)}$  | 25<br>mA   |
| Reset Voltage Range  | $V_{RR}$   | - 0.3 to +15<br>V  |
| Reset Sink Current   | $I_{R(sink)}$  | 50<br>mA   |
| Power Dissipation<br>Case 314B and 314D (TO-220 Type)<br>$T_A = 25^\circ\text{C}$<br>Thermal Resistance, Junction-to-Ambient<br>Thermal Resistance, Junction-to-Case<br>Case 936A (D <sup>2</sup> PAK) [Note 1]<br>$T_A = 90^\circ\text{C}$<br>Thermal Resistance, Junction-to-Ambient<br>Thermal Resistance, Junction-to-Case | $P_D$<br>$R_{\theta JA}$<br>$R_{\theta JC}$<br>$P_D$<br>$R_{\theta JA}$<br>$R_{\theta JC}$ | Internally Limited<br>62.5<br>4.0<br>Internally Limited<br>70<br>5.0<br>W<br>$^\circ\text{C/W}$<br>$^\circ\text{C/W}$<br>W<br>$^\circ\text{C/W}$<br>$^\circ\text{C/W}$ |
| Operating Junction Temperature Range   | $T_J$  | -40 to +150<br>$^\circ\text{C}$  |
| Storage Temperature Range  | $T_{stg}$  | -55 to +150<br>$^\circ\text{C}$  |

**NOTE:** 1. D<sup>2</sup>PAK Junction-to-Ambient Thermal Resistance is for vertical mounting. Refer to Figure 7 for board mounted thermal resistance.

## ELECTRICAL CHARACTERISTICS ( $V_{in} = 14.4\text{ V}$ , $I_O = 5.0\text{ mA}$ , $C_O = 100\ \mu\text{F}$ , $C_O(\text{ESR}) \leq 0.3\ \Omega$ , $T_J = 25^\circ\text{C}$ (Note 2), unless otherwise noted.)

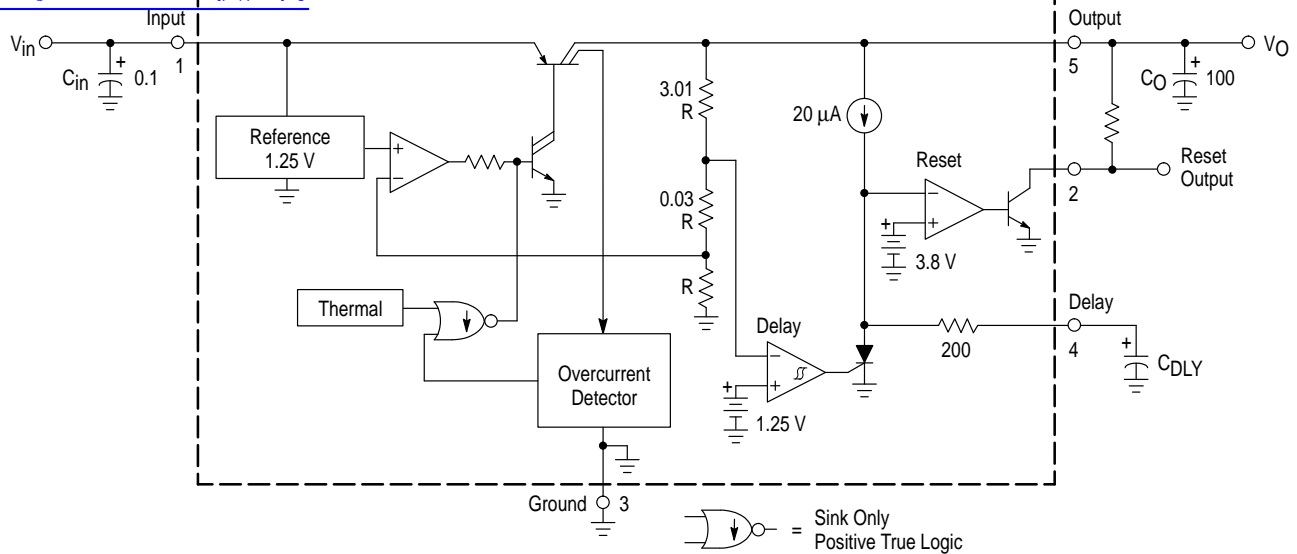
| Characteristic  | Symbol              | Min              | Typ                    | Max                    | Unit          |
|---|---------------------|------------------|------------------------|------------------------|---------------|
| Output Voltage ( $I_O = 5.0\text{ mA}$ to $500\text{ mA}$ , $V_{in} = 6.0\text{ V}$ to $28\text{ V}$ )<br>$T_J = 25^\circ\text{C}$<br>$T_J = -40^\circ$ to $+125^\circ\text{C}$ | $V_O$               | 4.95<br>4.9      | 5.05<br>-              | 5.15<br>5.2            | V             |
| Line Regulation ( $V_{in} = 6.0\text{ V}$ to $26\text{ V}$ )  | Reg <sub>line</sub> | -                | 3.0                    | 50                     | mV            |
| Load Regulation ( $I_O = 5.0\text{ mA}$ to $500\text{ mA}$ )  | Reg <sub>load</sub> | -                | 1.0                    | 50                     | mV            |
| Bias Current<br>$I_O = 0\text{ mA}$<br>$I_O = 150\text{ mA}$<br>$I_O = 500\text{ mA}$<br>$I_O = 500\text{ mA}$ , $V_{in} = 6.2\text{ V}$  | $I_B$               | -<br>-<br>-<br>- | 12<br>22<br>100<br>120 | 20<br>40<br>200<br>300 | mA            |
| Ripple Rejection ( $f = 120\text{ Hz}$ , $V_{in} = 7.0\text{ V}$ to $17\text{ V}$ ,<br>$I_O = 350\text{ mA}$ , $C_O = 100\ \mu\text{F}$ )                                       | RR                  | 60               | 80                     | -                      | dB            |
| Dropout Voltage ( $I_O = 500\text{ mA}$ )   | $V_{in} - V_O$      | -                | 0.58                   | 0.8                    | V             |
| Delay Comparator Threshold ( $V_O$ Decreasing)  | $V_{th(DLY)}$       | 4.8              | $V_O - 0.15$           | $V_O - 0.08$           | V             |
| Delay Pin Source Current  | $I_{DLY(source)}$   | 12               | 20                     | 28                     | $\mu\text{A}$ |
| Reset Comparator Threshold  | $V_{th(R)}$         | 3.6              | 3.8                    | 4.0                    | V             |
| Reset Sink Saturation ( $I_{sink} = 10\text{ mA}$ )   | $V_{CE(sat)}$       | -                | 0.2                    | 0.8                    | V             |
| Reset Off-State Leakage ( $V_{CE} = 5.0\text{ V}$ )   | $I_{R(leak)}$       | -                | 0.3                    | 10                     | $\mu\text{A}$ |

**NOTE:** 2. Low duty cycle pulse techniques are used during test to maintain junction temperature as close to ambient as possible.

# MC33267

Figure 1. Typical Application Circuit

[查询"MC33267T"供应商](#)



## APPLICATION CIRCUIT INFORMATION

The MC33267 is a low dropout, positive fixed 5.0 V, 500 mA regulator. Protection features include output current limiting and thermal shutdown. System protection consists of an on-chip power-up microprocessor reset circuit.

A typical applications circuit is shown in Figure 1. The input bypass capacitor ( $C_{in}$ ) is recommended if the regulator is located an appreciable distance ( $\geq 4''$ ) from the supply input filter. This will reduce the circuit's sensitivity to the input line impedance at high frequencies.

These regulators are not internally compensated and thus require an external output capacitor ( $C_O$ ) for stability. The recommended capacitance is 100  $\mu\text{F}$  with an equivalent series resistance (ESR) of less than 0.3  $\Omega$ . A minimum capacitance of 33  $\mu\text{F}$  with a maximum ESR of 3.0  $\Omega$  can be used in applications where space is a premium, however, these limits must be observed over the entire operating temperature range of the regulator circuit.

With economical electrolytic capacitors, cold temperature operation can pose a serious stability problem. As the electrolyte freezes, around  $-30^\circ\text{C}$ , the capacitance will

decrease and the ESR will increase drastically, causing the circuit to oscillate. Quality electrolytic capacitors with extended temperature ranges of  $-40^\circ\text{C}$  to  $+85^\circ\text{C}$  and  $-55^\circ\text{C}$  to  $+105^\circ\text{C}$  are readily available. It is suggested that oven testing of the entire circuit be performed with maximum load, minimum input voltage, and minimum ambient temperature.

Figure 2 shows the reset circuit timing relationship. Note that whenever the regulator's output is less than 4.9 V, the delay capacitor ( $C_{DLY}$ ) is immediately discharged, and the reset output is held in a low state. As the regulator's output voltage increases beyond 4.97 V, the delay comparator will allow the 20  $\mu\text{A}$  current source to charge  $C_{DLY}$ . The reset output will go to a high state when  $C_{DLY}$  crosses the 3.8 V threshold of the reset comparator. The reset delay time is controlled by the value selected for  $C_{DLY}$ . The required system reset time is governed by the microprocessor and usually a reset signal which lasts several machine cycles is sufficient.

[查询"MC33267T"供应商](#)

Figure 2. Timing Waveforms

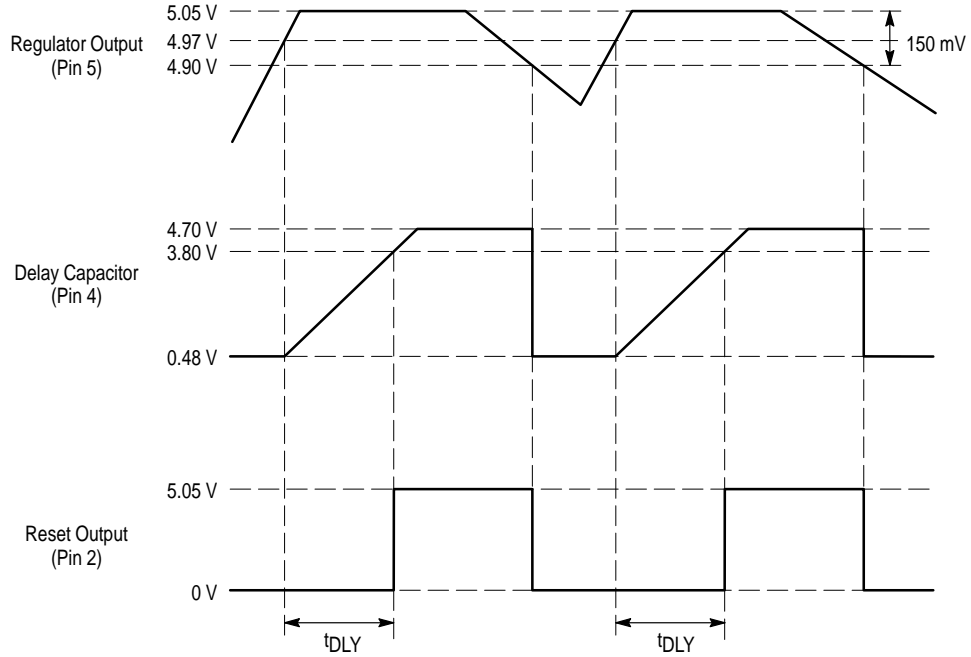


Figure 3. Reset Output versus Input Voltage

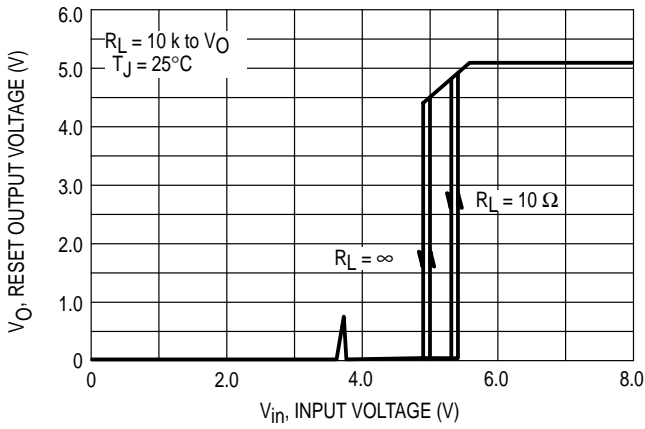
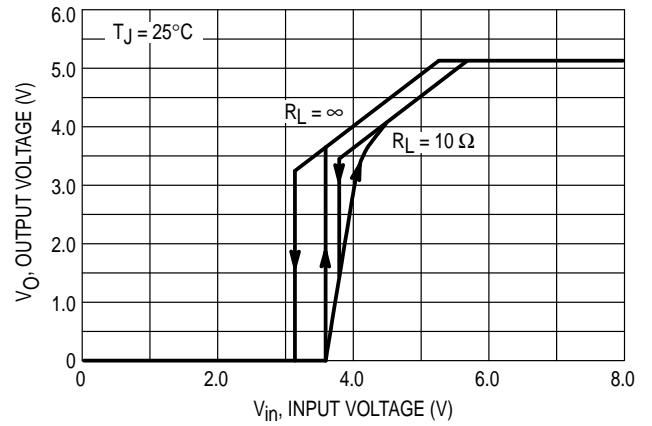
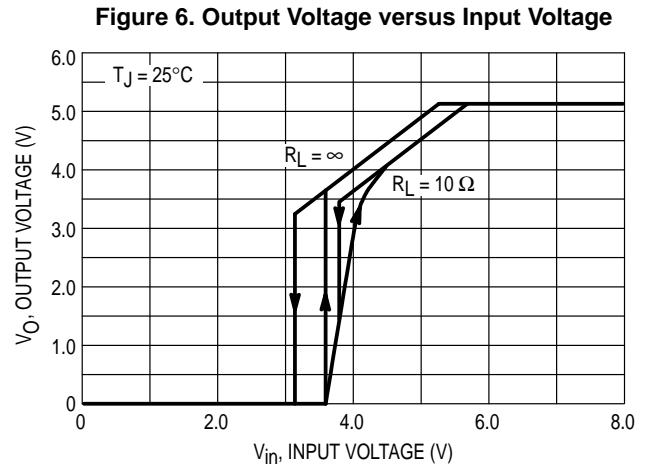
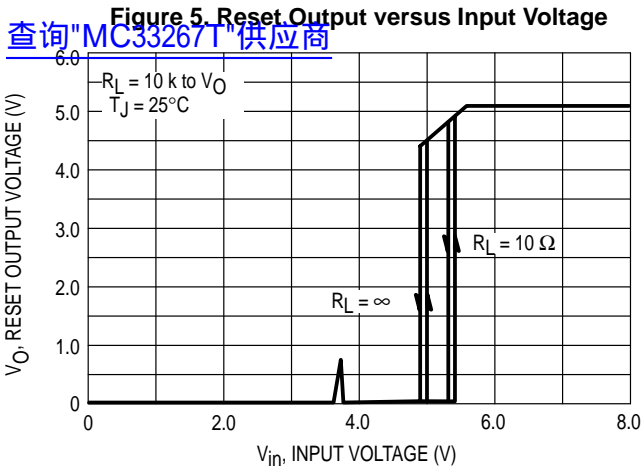
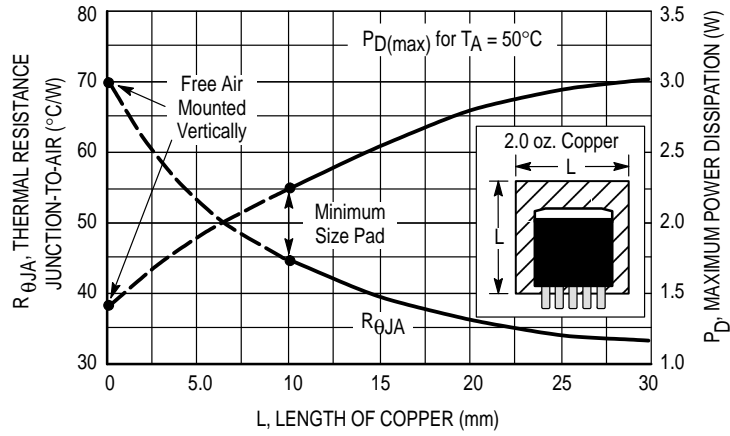


Figure 4. Output Voltage versus Input Voltage





**Figure 7. D<sup>2</sup>PAK Thermal Resistance and Maximum Power Dissipation versus P.C.B. Copper Length**

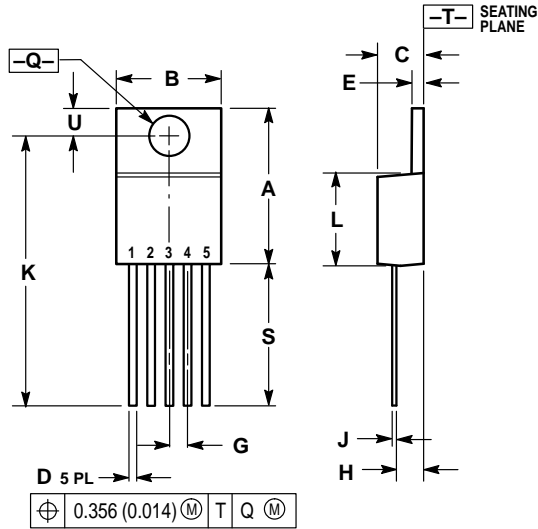


# MC33267

## OUTLINE DIMENSIONS

[查询"MC33267T"供应商](#)

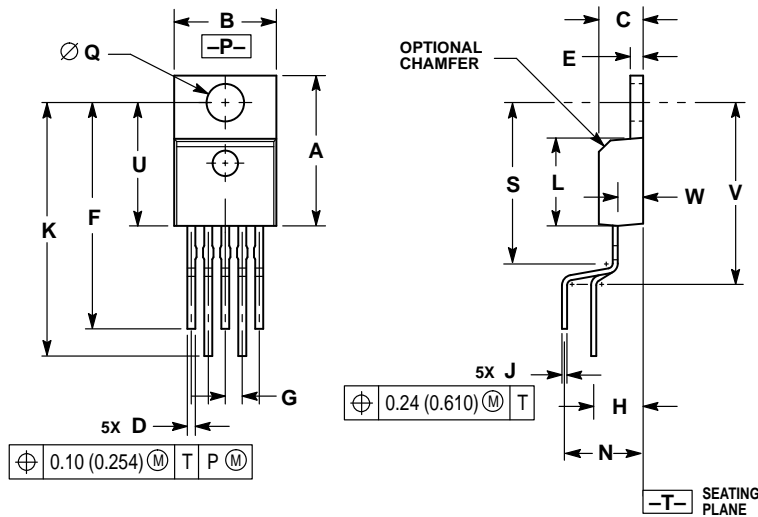
### T SUFFIX PLASTIC PACKAGE CASE 314D-03 (TO-220 TYPE) ISSUE D



- NOTES:
1. DIMENSIONING AND TOLERANCING PER ANSI Y14.5M, 1982.
  2. CONTROLLING DIMENSION: INCH.
  3. DIMENSION D DOES NOT INCLUDE INTERCONNECT BAR (DAMBAR) PROTRUSION. DIMENSION D INCLUDING PROTRUSION SHALL NOT EXCEED 10.92 (0.043) MAXIMUM.

| DIM | INCHES    |       | MILLIMETERS |        |
|-----|-----------|-------|-------------|--------|
|     | MIN       | MAX   | MIN         | MAX    |
| A   | 0.572     | 0.613 | 14.529      | 15.570 |
| B   | 0.390     | 0.415 | 9.906       | 10.541 |
| C   | 0.170     | 0.180 | 4.318       | 4.572  |
| D   | 0.025     | 0.038 | 0.635       | 0.965  |
| E   | 0.048     | 0.055 | 1.219       | 1.397  |
| G   | 0.067 BSC |       | 1.702 BSC   |        |
| H   | 0.087     | 0.112 | 2.210       | 2.845  |
| J   | 0.015     | 0.025 | 0.381       | 0.635  |
| K   | 1.020     | 1.065 | 25.908      | 27.051 |
| L   | 0.320     | 0.365 | 8.128       | 9.271  |
| Q   | 0.140     | 0.153 | 3.556       | 3.886  |
| U   | 0.105     | 0.117 | 2.667       | 2.972  |
| S   | 0.543     | 0.582 | 13.792      | 14.783 |

### TV SUFFIX PLASTIC PACKAGE CASE 314B-05 (TO-220 TYPE) ISSUE J



- NOTES:
1. DIMENSIONING AND TOLERANCING PER ANSI Y14.5M, 1982.
  2. CONTROLLING DIMENSION: INCH.
  3. DIMENSION D DOES NOT INCLUDE INTERCONNECT BAR (DAMBAR) PROTRUSION. DIMENSION D INCLUDING PROTRUSION SHALL NOT EXCEED 0.043 (1.092) MAXIMUM.

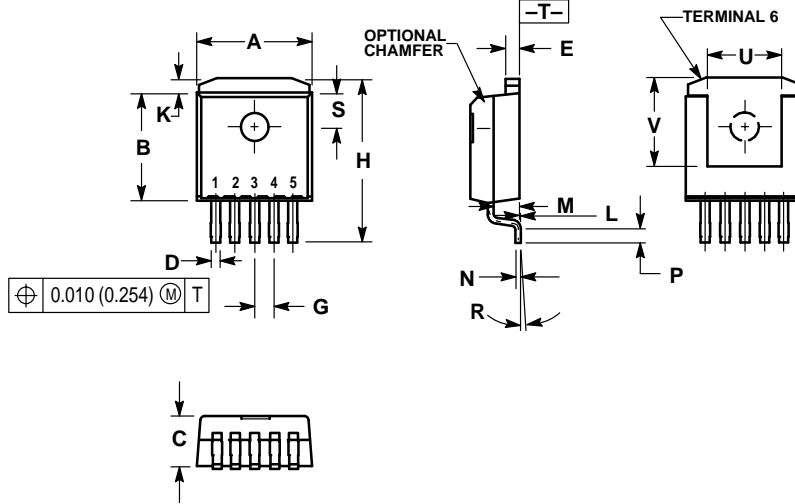
| DIM | INCHES    |       | MILLIMETERS |        |
|-----|-----------|-------|-------------|--------|
|     | MIN       | MAX   | MIN         | MAX    |
| A   | 0.572     | 0.613 | 14.529      | 15.570 |
| B   | 0.390     | 0.415 | 9.906       | 10.541 |
| C   | 0.170     | 0.180 | 4.318       | 4.572  |
| D   | 0.025     | 0.038 | 0.635       | 0.965  |
| E   | 0.048     | 0.055 | 1.219       | 1.397  |
| F   | 0.850     | 0.935 | 21.590      | 23.749 |
| G   | 0.067 BSC |       | 1.702 BSC   |        |
| H   | 0.166 BSC |       | 4.216 BSC   |        |
| J   | 0.015     | 0.025 | 0.381       | 0.635  |
| K   | 0.900     | 1.100 | 22.860      | 27.940 |
| L   | 0.320     | 0.365 | 8.128       | 9.271  |
| N   | 0.320 BSC |       | 8.128 BSC   |        |
| Q   | 0.140     | 0.153 | 3.556       | 3.886  |
| S   | —         |       | 0.620       | 15.748 |
| U   | 0.468     | 0.505 | 11.888      | 12.827 |
| V   | —         |       | 0.735       | 18.669 |
| W   | 0.090     | 0.110 | 2.286       | 2.794  |

# MC33267

## OUTLINE DIMENSIONS

[查询"MC33267T"供应商](#)

**D2T SUFFIX**  
**PLASTIC PACKAGE**  
**CASE 936A-02**  
**(D<sup>2</sup>PAK)**  
**ISSUE A**




**NOTES:**

- 1 DIMENSIONING AND TOLERANCING PER ANSI Y14.5M, 1982.
- 2 CONTROLLING DIMENSION: INCH.
- 3 TAB CONTOUR OPTIONAL WITHIN DIMENSIONS A AND K.
- 4 DIMENSIONS U AND V ESTABLISH A MINIMUM MOUNTING SURFACE FOR TERMINAL 6.
- 5 DIMENSIONS A AND B DO NOT INCLUDE MOLD FLASH OR GATE PROTRUSIONS. MOLD FLASH AND GATE PROTRUSIONS NOT TO EXCEED 0.025 (0.635) MAXIMUM.

| DIM | INCHES    |       | MILLIMETERS |        |
|-----|-----------|-------|-------------|--------|
|     | MIN       | MAX   | MIN         | MAX    |
| A   | 0.386     | 0.403 | 9.804       | 10.236 |
| B   | 0.356     | 0.368 | 9.042       | 9.347  |
| C   | 0.170     | 0.180 | 4.318       | 4.572  |
| D   | 0.026     | 0.036 | 0.660       | 0.914  |
| E   | 0.045     | 0.055 | 1.143       | 1.397  |
| G   | 0.067 BSC |       | 1.702 BSC   |        |
| H   | 0.539     | 0.579 | 13.691      | 14.707 |
| K   | 0.050 REF |       | 1.270 REF   |        |
| L   | 0.000     | 0.010 | 0.000       | 0.254  |
| M   | 0.088     | 0.102 | 2.235       | 2.591  |
| N   | 0.018     | 0.026 | 0.457       | 0.660  |
| P   | 0.058     | 0.078 | 1.473       | 1.981  |
| R   | 5° REF    |       | 5° REF      |        |
| S   | 0.116 REF |       | 2.946 REF   |        |
| U   | 0.200 MIN |       | 5.080 MIN   |        |
| V   | 0.250 MIN |       | 6.350 MIN   |        |

[查询"MC33267T"供应商](#)

Motorola reserves the right to make changes without further notice to any products herein. Motorola makes no warranty, representation or guarantee regarding the suitability of its products for any particular purpose, nor does Motorola assume any liability arising out of the application or use of any product or circuit, and specifically disclaims any and all liability, including without limitation consequential or incidental damages. "Typical" parameters which may be provided in Motorola data sheets and/or specifications can and do vary in different applications and actual performance may vary over time. All operating parameters, including "Typicals" must be validated for each customer application by customer's technical experts. Motorola does not convey any license under its patent rights nor the rights of others. Motorola products are not designed, intended, or authorized for use as components in systems intended for surgical implant into the body, or other applications intended to support or sustain life, or for any other application in which the failure of the Motorola product could create a situation where personal injury or death may occur. Should Buyer purchase or use Motorola products for any such unintended or unauthorized application, Buyer shall indemnify and hold Motorola and its officers, employees, subsidiaries, affiliates, and distributors harmless against all claims, costs, damages, and expenses, and reasonable attorney fees arising out of, directly or indirectly, any claim of personal injury or death associated with such unintended or unauthorized use, even if such claim alleges that Motorola was negligent regarding the design or manufacture of the part. Motorola and  registered trademarks of Motorola, Inc. Motorola, Inc. is an Equal Opportunity/Affirmative Action Employer.

**How to reach us:**

**USA/EUROPE/Locations Not Listed:** Motorola Literature Distribution;  
P.O. Box 20912; Phoenix, Arizona 85036. 1-800-441-2447 or 602-303-5454

**MFAX:** RMFAX0@email.sps.mot.com – TOUCHTONE 602-244-6609  
**INTERNET:** <http://Design-NET.com>

**JAPAN:** Nippon Motorola Ltd.; Tatsumi-SPD-JLDC, 6F Seibu-Butsuryu-Center,  
3-14-2 Tatsumi Koto-Ku, Tokyo 135, Japan. 03-81-3521-8315

**ASIA/PACIFIC:** Motorola Semiconductors H.K. Ltd.; 8B Tai Ping Industrial Park,  
51 Ting Kok Road, Tai Po, N.T., Hong Kong. 852-26629298

