

GERMANIUM POWER TRANSISTORS

Type Number	Case Type	V_{CE0} V	V_{EBO} V	V_{CER} V	V_{CES} V	CURRENT GAIN				SATURATION VOLTAGES				θ_{J-C} °C/W
						h_{FE} Min.	h_{FE} Max.	$V_{CE} @ I_C$ V	$I_C @ I_B$ A	$V_{CE(s)}$ V	$V_{BE(s)}$ V	$I_C @ I_B$ A	$I_C @ I_B$ A	

15 AMP GERMANIUM PNP (Cont.)

2N1553A	TO-3	40		20.0		30	30	60	2.0	10.0	.70		10.0	1.000	.80
2N1554	TO-3	60	30	30.0		45	30	60	2.0	10.0	.50		10.0	1.000	.80
2N1554A	TO-3	60		30.0		45	30	60	2.0	10.0	.70		10.0	1.000	.80
2N1555	TO-3	80	40	40.0		60	30	60	2.0	10.0	.50		10.0	1.000	.80
2N1555A	TO-3	80		40.0		60	30	60	2.0	10.0	.70		10.0	1.000	.80
2N1556	TO-3	100	50	50.0		75	30	60	2.0	10.0	.50		10.0	1.000	.80
2N1556A	TO-3	100		50.0		75	30	60	2.0	10.0	.70		10.0	1.000	.80
2N1557	TO-3	40	20	20.0		30	50	100	2.0	10.0	.40		10.0	1.000	.80
2N1557A	TO-3	40		20.0		30	50	100	2.0	10.0	.50		10.0	1.000	.80
2N1558	TO-3	60	30	30.0		45	50	100	2.0	10.0	.40		10.0	1.000	.80
2N1558A	TO-3	60		30.0		45	50	100	2.0	10.0	.50		10.0	1.000	.80
2N1559	TO-3	80	40	40.0		60	50	100	2.0	10.0	.40		10.0	1.000	.80
2N1559A	TO-3	80		40.0		60	50	100	2.0	10.0	.50		10.0	1.000	.80
2N1560	TO-3	100	50	50.0		75	50	100	2.0	10.0	.40		10.0	1.000	.80
2N1560A	TO-3	100		50.0		75	50	100	2.0	10.0	.50		10.0	1.000	.80
2N1970	TO-36	100	50	40.0			17	40	2.0	5.0	1.00		12.0	2.000	.80
2N1980	TO-36	50	30	20.0			50	100	2.0	5.0	.50		5.0	.500	.50
2N1981	TO-36	70	40	20.0			50	100	2.0	5.0	.50		5.0	.500	.50
2N1982	TO-36	90	50	20.0			50	100	2.0	5.0	.50		5.0	.500	.50
2N2075	TO-36	80	60	40.0		80	20	40	2.0	5.0	.70		12.0	2.000	.50
2N2076	TO-36	70	55	35.0		70	20	40	2.0	5.0	.70		12.0	2.000	.50
2N2077	TO-36	50	45	25.0		50	20	40	2.0	5.0	.90		12.0	2.000	.50
2N2078	TO-36	40	25	20.0		40	20	40	2.0	5.0	.90		12.0	2.000	.50
2N2079A	TO-36	80	65	40.0		80	35	70	2.0	5.0	.70		12.0	2.000	.50
2N2080	TO-36	70	55	35.0		70	35	70	2.0	5.0	.70		12.0	2.000	.50
2N2081	TO-36	50	45	25.0		50	35	70	2.0	5.0	.90		12.0	2.000	.50
2N2082	TO-36	40	25	20.0		40	35	70	2.0	5.0	.90		12.0	2.000	.50
2N2612	TO-3	65	30	30.0			85	250	2.0	10.0	1.00		10.0	.150	1.00

15 AMP GERMANIUM PNP TETRODES

3N49	MT-70	60	35				30	120	2.0	5.0	.40		5.0	.500	.80
3N50	MT-70	80	50				20	80	2.0	5.0	.40		5.0	.500	.80
3N51	MT-70	40	25				30	120	2.0	5.0	.40		5.0	.500	.80
3N52	MT-70	60	40				20	80	2.0	5.0	.40		5.0	.500	.80

Type Number	Case Type	$V_{CE0(max)}$ V	V_{EBO} V	h_{FE} @ I_C/V_{CE} (Min-Max @A/V)	$V_{CE(s)}$ @ I_C/I_B (V@A/A)	V_{BE} @ I_C/V_{CE} (V@A/V)	I_{CEV} @ V_{CE} (mA@V)	$P_D @ T_C = 25^\circ C$ (watts)	θ_{JC} (°C/W)	$T_{J(max)}$ (°C)	f_T (KHz)
-------------	-----------	---------------------	----------------	---	---------------------------------------	---------------------------------------	-----------------------------------	-------------------------------------	-------------------------	----------------------	----------------

15 TO 65 AMP GERMANIUM PNP

2N2490	TO-36	50	40	20-40@5/2	.7@12/2	.9@5/2	3@70	170	0.5	110	
2N2491	TO-36	40	30	35-70@5/2	.7@12/2	.9@5/2	3@60	170	0.5	110	
2N2492	TO-36	65	60	25-50@5/2	.5@12/2	.8@5/2	2@80	170	0.5	110	
2N1518	TO-36	40	30	15-60@15/4	.7@25/4	1.5@25/3	4@50	70	0.8	95	
2N1519	TO-36	60	30	15-60@15/4	.7@25/4	1.5@25/3	4@80	70	0.8	95	

Type Number	Case Type	V_{CE0} V	V_{EBO} V	V_{CER} V	V_{CES} V	CURRENT GAIN				SATURATION VOLTAGES				θ_{J-C} °C/W
						h_{FE} Min.	h_{FE} Max.	$V_{CE} @ I_C$ V	$I_C @ I_B$ A	$V_{CE(s)}$ V	$V_{BE(s)}$ V	$I_C @ I_B$ A	$I_C @ I_B$ A	

25 AMP GERMANIUM PNP

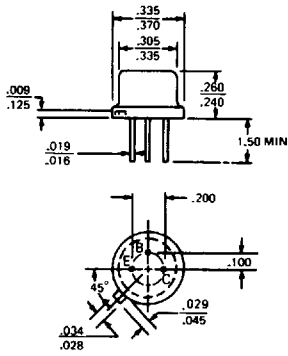
2N511	TO-41	40	20	30.0		50	20	60	2.0	10.0	.50		10.0	1.000	.50
2N511A	TO-41	60	30	30.0		60	20	60	2.0	10.0	.50		10.0	1.000	.50
2N511B	TO-41	80	40	30.0		65	20	60	2.0	10.0	.50		10.0	1.000	.50
2N512	TO-41	40		30.0		50	20	60	2.0	15.0	1.00		15.0	2.250	.50
2N512A	TO-41	60		30.0		60	20	60	2.0	15.0	1.00		15.0	2.250	.50
2N512B	TO-41	80		30.0		65	20	60	2.0	15.0	1.00		15.0	2.250	.50
2N513	TO-41	40	20	30.0			20	60	2.0	20.0	1.25		20.0	3.000	.50
2N513A	TO-41	60	30	30.0			20	60	2.0	20.0	1.25		20.0	3.000	.50
2N513B	TO-41	80	40	30.0			20	60	2.0	20.0	1.25		20.0	3.000	.50
2N514	TO-41	40	40	30.0			20	60	2.0	25.0	1.25		25.0	3.750	.70
2N514A	TO-41	60	50	30.0			20	60	2.0	25.0	1.25		25.0	3.750	.70
2N514B	TO-41	80	60	30.0			20	60	2.0	25.0	1.25		25.0	3.750	.70
2N575	MT-7	60	50	28.0			10		2.0	25.0	.50		10.0	2.000	.40
2N575A	MT-7	80	55	28.0			10		2.0	25.0	.50		10.0	2.000	.40
2N1162	TO-3	50		25.0		35	15	65	1.0	25.0	.80		25.0	1.600	.80

GERMANIUM POWER TRANSISTORS

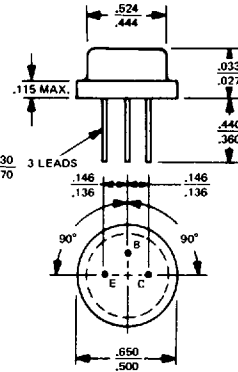
查询"2N1519"供应商

CASE OUTLINE DRAWINGS & DIMENSIONS

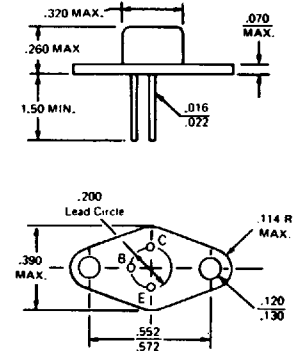
TO-5



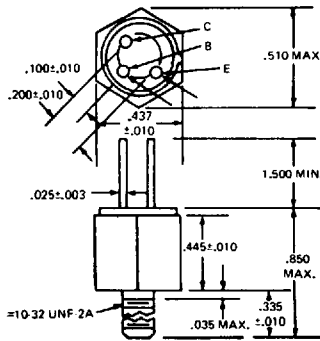
TO-8



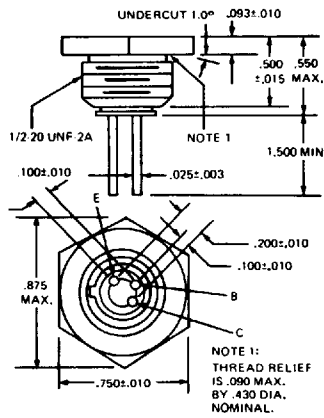
TO-37



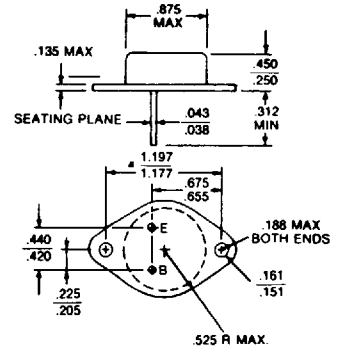
MT-27



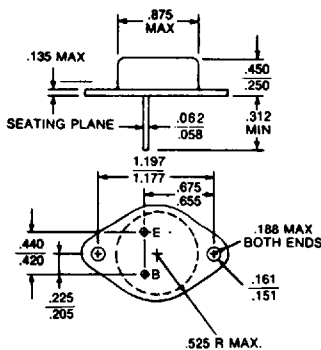
MT-28



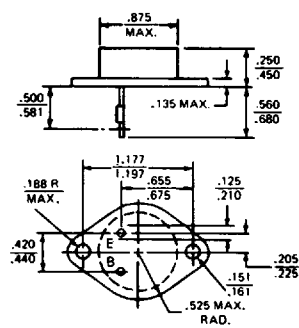
TO-3



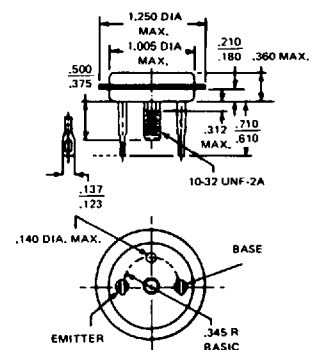
MODIFIED TO-3
(60 mil pins)



TO-41



TO-36

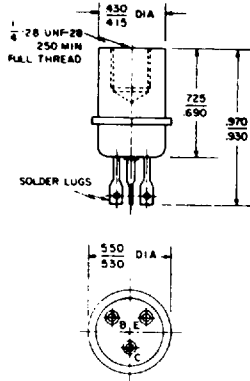


GERMANIUM POWER TRANSISTORS

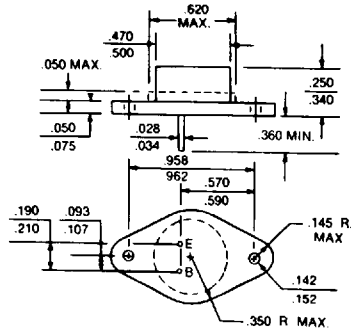
查询"2N1519"供应商

CASE OUTLINE DRAWINGS & DIMENSIONS

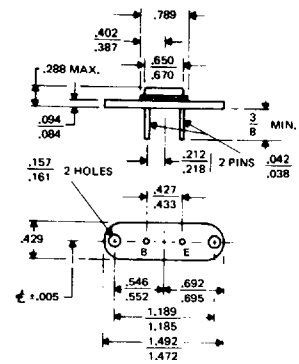
TO-13



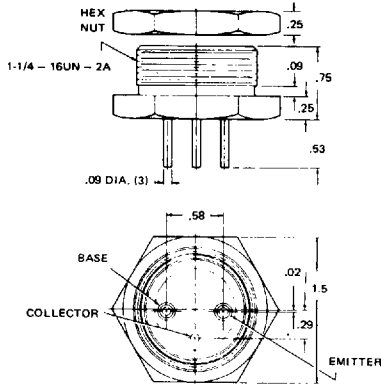
TO-66



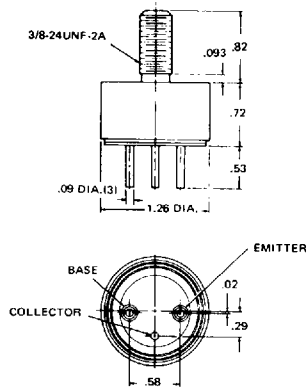
MS-7



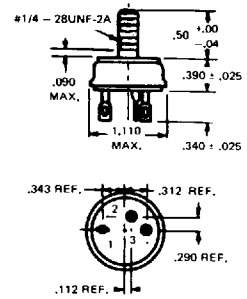
MT-22



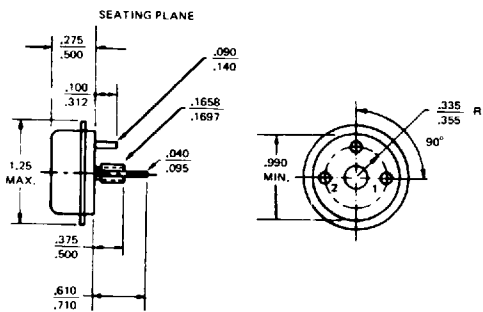
MT-23



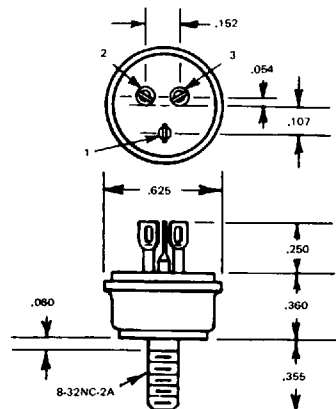
MT-7



TO-68



MT-36

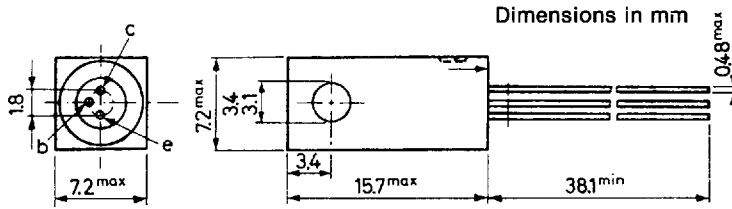


GERMANIUM POWER TRANSISTORS

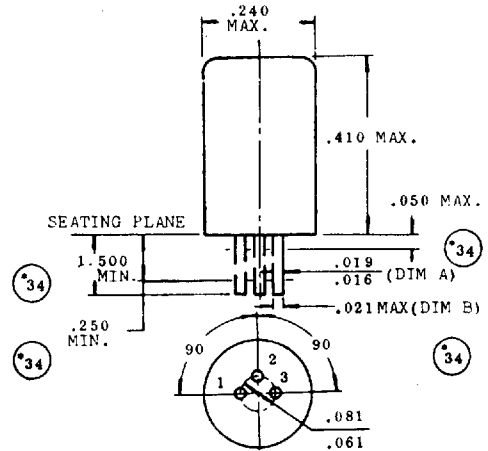
[查询"2N1519"供应商](#)

CASE OUTLINE DRAWINGS & DIMENSIONS

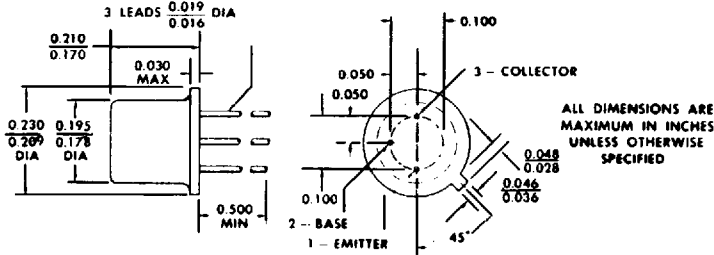
NS257



TO-1



TO-18



THE COLLECTOR IS ELECTRICAL CONTACT WITH THE CASE.

ALL JEDEC TO-18 DIMENSIONS AND NOTES ARE APPLICABLE.



GERMANIUM POWER DEVICES CORP.

300 Brickstone Square · York Street · P.O. Box 3065
Shawsheen Village Station · Andover, Massachusetts 01810
Telephone (508) 475-5982 · FAX (508) 470-1512

26

Printed in U.S.A.

■ 3947375 0000689 52T ■

54134