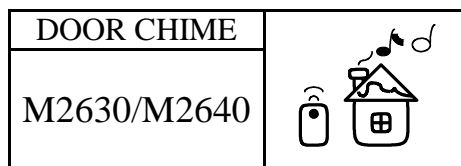


SECURITY CODE  
 WIRELESS DOOR BELL

附防盜系統  
 遙控門鈴 IC



FEATURES 功能敘述

- Security code : A0~A7 3<sup>14</sup> code.
- OSH/CONT : siren time.
- Siren duration : 16/32/48 sec (mask option)
- RST/DING : Arm/Disarm & Visitor .(Ding-Dong) (Default Arm)
- With customer code.

KEY	SOUND
D1	DING-DONG 2 TIMES
D2	DING-DING 2 TIMES
D3	BI-BI (PANIC) 3 TIMES
D4	ARM
D5	DISARM
D6	REED SWITCH

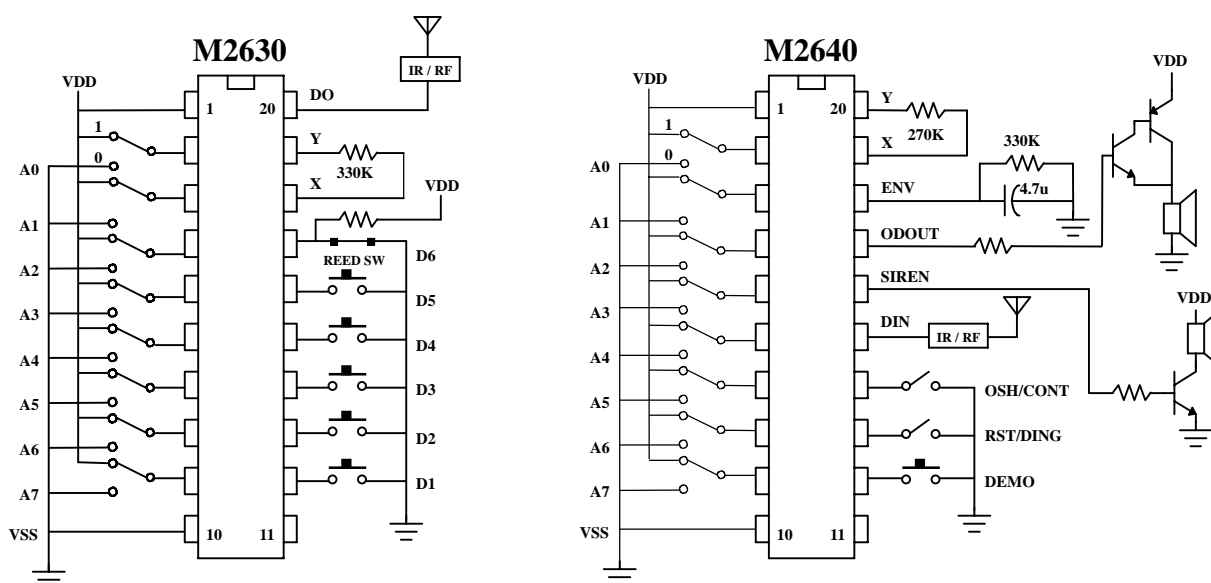
APPLICATION 產品應用

- Security alarm, Remote control. 防盜系統, 任何遙控裝置.

ELECTRICAL CHARACTERISTICS 電氣規格

Characteristics	Sym.	Min.	Typ.	Max.	Unit	REMARKS
工作電壓 Operating Voltage	V <sub>DD</sub>	2.4	9	13	V	M2630
工作電壓 Operating Voltage	V <sub>DD</sub>	—	3	4.5	V	M2640
靜態電流 Quiescent Current	I <sub>SB</sub>	—	—	5	μA	No load
推動電流 Driving Current	I <sub>OL</sub>	1	—	—	mA	@ V <sub>DS</sub> =1V
振盪頻率 Oscillator Frequency	F <sub>OSC</sub>	—	64	—	KHz	External±30%
工作溫度 Operating Temperature	Temp.	0	25	60	°C	

APPLICATION DIAGRAM 參考電路圖



\* All specs and applications shown above subject to change without prior notice.  
 ( 以上電路及規格僅供參考,本公司得逕行修正 )