

GERMANIUM PNP SMALL SIGNAL TRANSISTORS

Type	V_{CB0}	V_{EB0}	V_{CE}	I_{CB0}	I_{C0}	h_{FE}	f_{β}	C_{ob}	f_{β}	Outline*	Power Dissipation @25°C MW
	V	V	V	V	μA	Min Max	pf	MHZ			
查询"2N1144"供应商	Max	Max	Max	@ V_{CB}	Max		@ I_C	Max	Min		
2N465	45	12	30	20	15	27-45	1		0.8†	TO-5	150
2N466	35	12	20	20	15	56-90	1		1.0†	TO-5	150
2N467	35	12	15	20	15	112-180	1		1.2†	TO-5	150
2N508	20	10	18	20	6	99-198	20	35	2.5	TO-5	200
2N508A	30	10	25	25	7	100-200	20	35	2.5	TO-5	200
2N522	15	10	8	15	2	120	1		15.0	TO-5	100
2N524	30	15	30	30	10	25-42	20	40	0.8	TO-5	225
2N525	45	15	30	30	10	34-65	20	40	1.0	TO-5	225
2N526	45	15	30	30	10	53-90	20	40	1.3	TO-5	225
2N527	45	15	30	30	10	72-121	20	40	1.5	TO-5	225
2N580	20	12	15	20	5	30	400	30	10.0	TO-5	120
2N581	18	10	15	15	6	20	20	30	4.0	TO-5	80
2N650	45	30	30	30	10	33	10	25	0.75	TO-5	200
2N651	45	30	30	30	10	45	10	25	1.0	TO-5*	200
2N652	45	30	30	30	10	80	10	25	1.25	TO-5	200
2N653	30	25	25	25	15	20	10	25	1.5†	TO-5	200
2N654	30	25	25	25	15	40	10	25	2.0†	TO-5	200
2N655	30	25	25	25	15	70	10	25	2.5†	TO-5	200
2N658	25	12	16	25	25	25-80	10	12	2.5	TO-5	167
2N659	25	12	14	25	25	40-110	10	12	5.0	TO-5	167
2N660	25	12	11	25	25	60-150	10	12	10.0	TO-5	167
2N661	25	12	9	25	25	75	10	12	15.0	TO-5	167
2N662	25	12	11	25	25	50	10	12	4.0	TO-5	167
2N1057	45	5	45	45	16	34-90	20	60	0.5	R-32	240
2N1097	16	5	18	16	16	34-90	20	35	1.0	TO-5	200
2N1098	18	5	18	16	16	25-90	20	35	1.0	TO-5	200
2N1144	16		16	16	16	34-90	20	40	1.0	R-32	175
2N1145	16		16	16	16	25-90	20	40	1.0	R-32	175
2N1175	35	10	25	30	12	70-140	20	40	1.5	TO-5	200
2N1175A	35	10	25	30	12	70-140	20	40	1.5	TO-5	200
2N1273	15	10	15	15	14	27-165	50			TO-5	250
2N1274	25	10	15	25	14	27-165	50			TO-5	250
2N1303	30	25	25	25	6	20	10	20	3.0	TO-5	150
2N1305	30	25	20	25	6	40-200	10	20	5.0	TO-5	150
2N1307	30	25	15	25	6	60-300	10	20	10.0	TO-5	150
2N1309	30	25	15	25	6	80	10	20	15.0	TO-5	150
2N1370	25	10	25	20	14	45-165	50		2.0	TO-5	225
2N1371	45	10	45	20	14	45-165	50		2.0	TO-5	250
2N1372	25	15	25	20	7	27-105	50		2.0	TO-5	250
2N1373	45	25	45	20	7	27-105	50		2.0	TO-5	250
2N1374	25	15	25	20	7	45-165	50		2.0	TO-5	250
2N1375	45	25	45	20	7	45-165	50		2.0	TO-5	250
2N1376	25	15	25	20	7	67-165	60		2.0	TO-5	250
2N1377	45	25	45	20	7	67-165	50		2.0	TO-5	250
2N1378	12	7	12	12	7	85-330	50		2.0	TO-5	250
2N1379	25	15	25	20	7	85-330	50		2.0	TO-5	250
2N1380	12	7	12	12	14	27-330	50		2.0	TO-5	250
2N1381	25	15	25	20	14	27-330	50		2.0	TO-5	250
2N1382	25	15	25	20	14	40-165	50		2.0	TO-5	250
2N1383	25	15	25	20	14	27-165	50		2.0	TO-5	250
2N1404	25	20	25	25	5	100	24	8	4.0	TO-5	150
2N1413	35	10	25	30	12	35-42	20	40	0.8	TO-5	200
2N1414	35	10	25	30	12	34-65	20	40	1.0	TO-5	200
2N1415	35	10	25	30	12	53-90	20	40	1.3	TO-5	200
2N1614	70	12	60	70	23	18-43	20	60	0.5	R-32	240
2N1924	60	25	40	45	10	34-65	20	30	1.0	TO-5	225
2N1925	60	25	40	45	10	53-90	20	30	1.3	TO-5	225
2N1926	60	25	40	45	10	72-121	20	30	1.5	TO-5	225
2N1997	45	45	40	45	25	40-200	100	20	3.0	TO-5	250
2N1998	35	30	35	35	25	70-225	100	20	5.6	TO-5	250
2N1999	30	20	20	30	25	100-350	100	20	10.0	TO-5	250
2N2000	50	20	15	30	10	50-300	100	35	2.0	TO-5	300
2N2001	30	20	15	15	6	100	100	35	6.0	TO-5	300
2N2042	105	75	105	105	25	20-50	5	25	0.5	TO-5	200
2N2043	105	75	105	105	25	400-100	5	25	0.75	TO-5	200
2N2374	35	35	35	35	5	100-300	100	14	15.0	TO-5	250
2N2375	35	35	35	35	5	35-110	100	20		TO-5	250
2N2376	35	35	35	35	5	35-110	100	20		TO-5	250

NOTES: *Under Outline indicates TO-5 Isolated †Indicates Typical Value
Germanium Power Devices Corporation

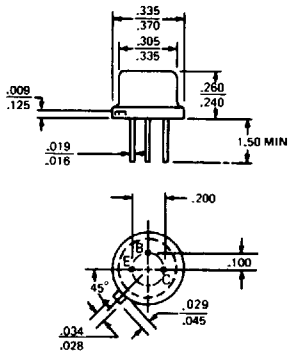
3947375 0000674 0T9

GERMANIUM POWER TRANSISTORS

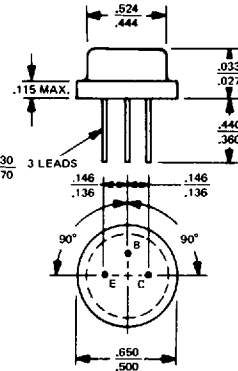
查询"2N1144"供应商

CASE OUTLINE DRAWINGS & DIMENSIONS

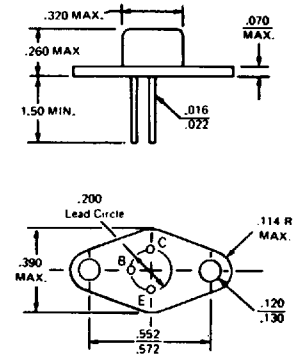
TO-5



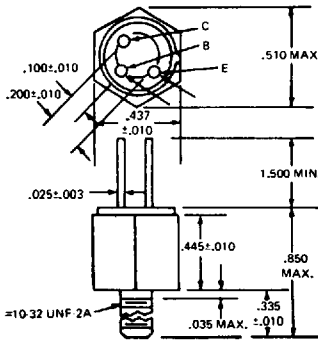
TO-8



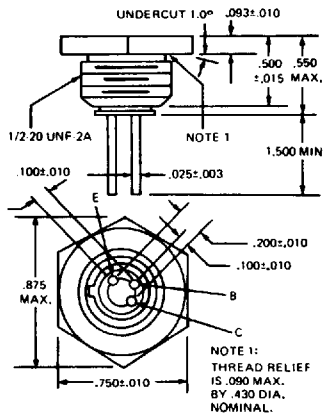
TO-37



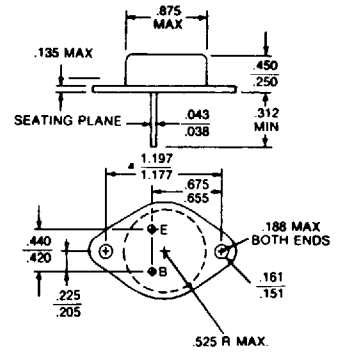
MT-27



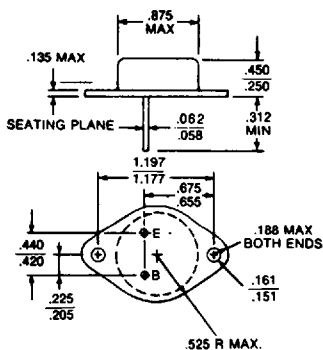
MT-28



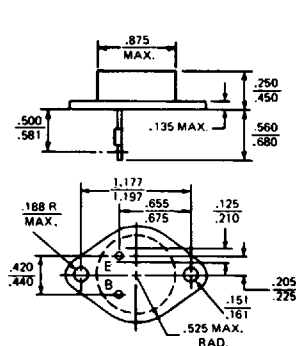
TO-3



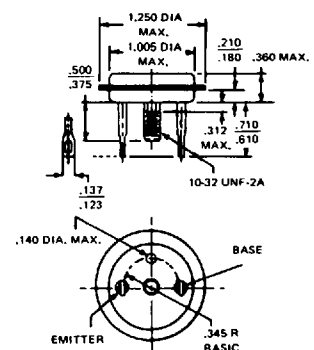
MODIFIED TO-3
(60 mil pins)



TO-41



TO-36

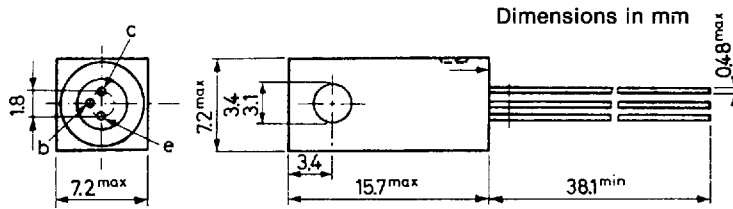


GERMANIUM POWER TRANSISTORS

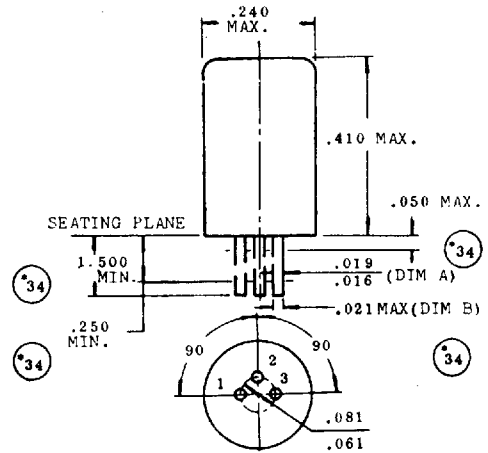
查询"2N1144"供应商

CASE OUTLINE DRAWINGS & DIMENSIONS

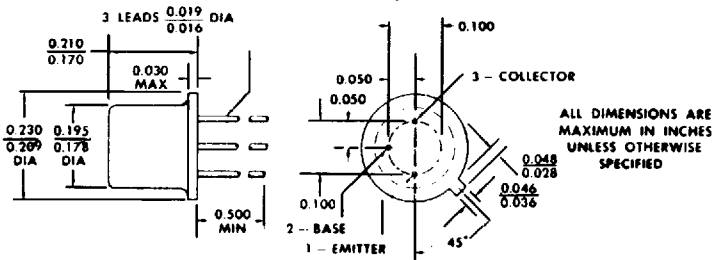
NS257



TO-1



TO-18



THE COLLECTOR IS ELECTRICAL
CONTACT WITH THE CASE.

ALL JEDEC TO-18 DIMENSIONS
AND NOTES ARE APPLICABLE.



GERMANIUM POWER DEVICES CORP.

300 Brickstone Square · York Street · P.O. Box 3065
Shawsheen Village Station · Andover, Massachusetts 01810
Telephone (508) 475-5982 · FAX (508) 470-1512

26

Printed in U.S.A.

■ 3947375 0000689 52T ■

54134