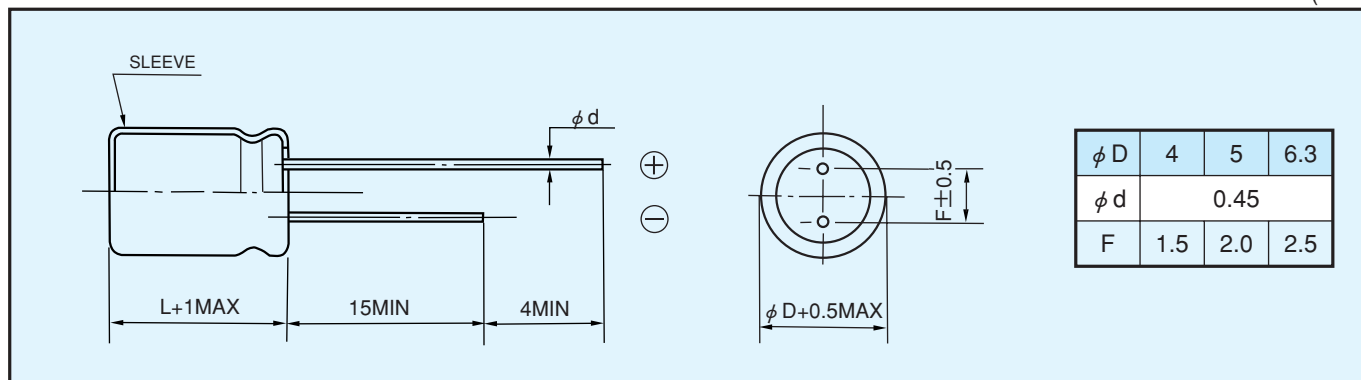


◆寸法图 DIMENSIONS

(mm)



◆STANDARD SIZE, RATED RIPPLE CURRENT

Size $\phi D \times L$ (mm), Ripple Current (mA r.m.s./105°C, 120Hz)

Cap (μF)	WV (V.DC)	6.3 (0J)		10 (1A)		16 (1C)		25 (1E)		35 (1V)		50 (1H)	
		Size	Ripple	Size	Ripple	Size	Ripple	Size	Ripple	Size	Ripple	Size	Ripple
0.1												4×7	1.0
0.22												4×7	2.3
0.33												4×7	3.5
0.47												4×7	5
1												4×7	10
2.2												4×7	19
3.3												4×7	24
4.7										4×7	24	5×7	29
10						4×7	29	5×7	33	5×7	36	6.3×7	44
22		4×7	34	5×7	38	5×7	44	6.3×7	51	6.3×7	60	6.3×7	60
33		5×7	42	5×7	47	6.3×7	60	6.3×7	65	6.3×7	65		
47		5×7	50	6.3×7	65	6.3×7	70	6.3×7	70				
100		6.3×7	77	6.3×7	87	6.3×7	91						