

10 Taps - Delay Lines

1520 (DIP)

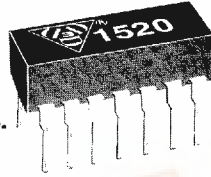
SERIES: 1520S (SMD)

$T_D/T_R = 5/1$



Features:

- 1000 ns delay.
- 10 taps.
- Standard 14 pins DIP and SMD cases.
- Low D.C. resistance.
- Fast delivery.



Specifications:

- Delay accuracy: $\pm 5\%$ (others on request).
- No. taps: 10 equally spaced taps.
- Taps accuracy: $\pm 5\%$ of tap delay.
- Impedance tolerance: $\pm 10\%$ (others on request).
- Rise-Time: 20% of time delay.
- Withstanding voltage: 50 Vdc. min.
- Temperature coefficient: 100 PPM/°C.
- Environment: Meets or exceeds MIL-D-23859C.

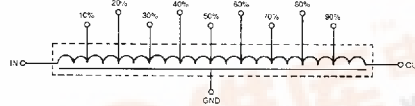
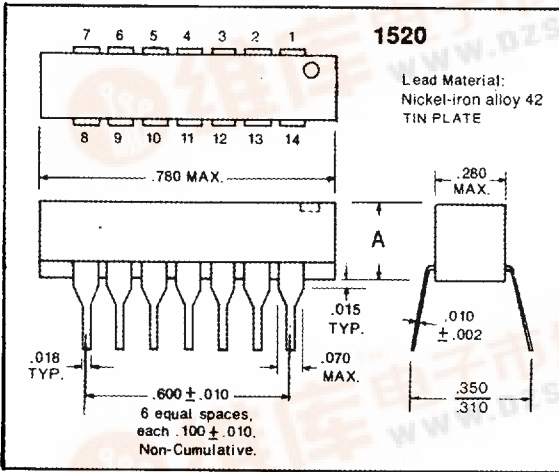


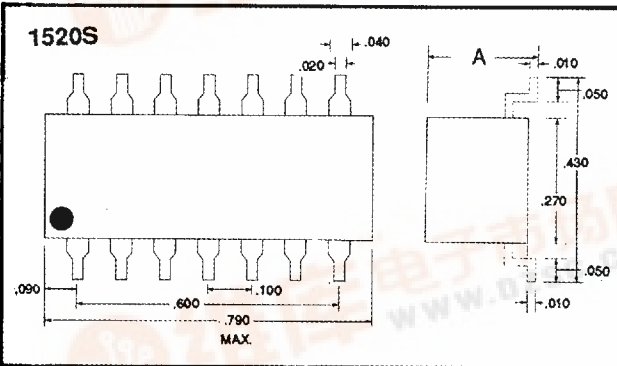
TABLE II. MOUNTING HEIGHT

CODE	DIMENSIONS (MAX.)
A	.187
B	.240
C	.290

TABLE 1

Td (ns) ⁽¹⁾ (±5%)	Td/tap (ns) ⁽²⁾ (±5%)	Tr (ns) MAX	ATTENUATION (%) TYPICAL PER IMPEDANCE Ω				
			50	100	200	300	500
10	1	3					
20	2	5.5	3	5	5		
30	3	6.5	3	5	5		
40	4	8	3	5	5	5	
50	5	10	3	5	5	5	7
60	6	12	3	5	5	5	7
75	7 1/2	15	3	5	5	5	7
100	10	20	3	5	5	7	7
120	12	24	3	5	6	7	8
150	15	30	3	5	6	7	8
180	18	36	4	5	6	7	8
200	20	40	4	5	6	7	8
220	22	44	4	5	6	7	8
250	25	50	4	5	6	7	8
300	30	60		5	8	10	10
375	37 1/2	75		7	8	10	10
500	50	100		8	10	12	12
600	60	120				15	15
750	75	150				15	20
1000	100	200					20

(1) Or ± 2 ns, whichever is greater. (2) Or ± 1 ns, whichever is greater, referenced from input.



PART NUMBER MAKE-UP

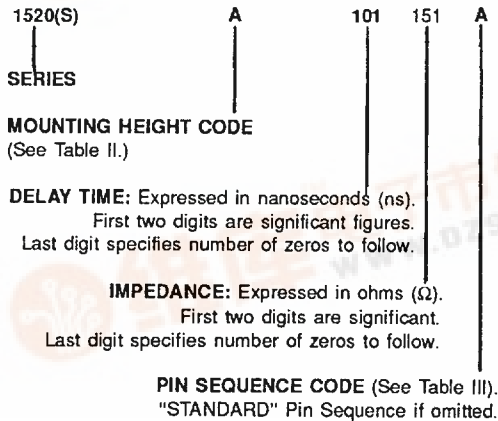


TABLE III. PIN NUMBER SEQUENCE

CODE	IN	10%	20%	30%	40%	50%	60%	70%	80%	90	OUT	GND
Standard	14	2	12	3	11	4	5	10	6	9	7	1, 8
A	1	2	13	3	12	4	10	5	9	6	7	14
B	2	3	4	5	6	7	9	10	11	12	13	1, 14
C	7	9	6	10	5	11	12	3	13	2	14	1, 8
D	1	13	2	12	3	11	4	10	5	9	6	7, 8, 14
E	2	3	4	5	6	7, 8	9	10	11	12	13	1, 14
F	1	13	2	12	3	11	4	10	5	9	6	7
G	2	13	3	12	4	11	5	10	6	9	7	8, 14
H	2	3	4	12	6	7	9	10	11	12	13	1
I	1	13	2	12	3	11	5	10	6	9	7	8, 14
J	1	2	13	3	12	4	10	5	9	6	7	8, 14
K	1	2	3	4	5	6	12	11	10	9	8	7
N	1	2	3	4	5	6	10	11	12	13	14	7
T	1	2	3	4	5	6	9	10	11	12	13	7, 14
U	2	3	4	5	6	8	9	10	11	12	13	1, 7
V	2	3	4	5	6	8	9	10	11	12	13	1
W	1	13	2	12	3	11	4	10	5	9	6	7, 14

*Other pin sequences available upon request.

