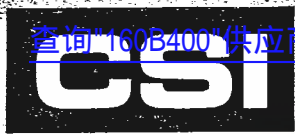


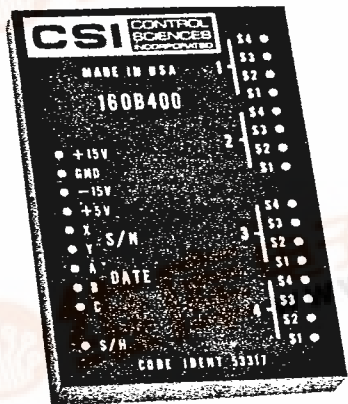
查询"160B400"供应商



synchro/resolver input module

low cost multiplexed 4 channel

series 160B400



FEATURES

- Synchro or resolver inputs
- Four channels — single module
- 3 arc-minute accuracy
- Onboard demultiplexing
- CMOS/TTL compatible
- Sample and hold — all inputs

APPLICATIONS

Air Data Computers — Robotics —
Machine Tool Controls — Data Logging

GENERAL DATA

The 160B400 series is a complete 4-channel input module which can be used to expand the 160B100 multiplexed S/D or R/D converter in groups of four channels. Any synchro or resolver line-to-line voltage between 2.5 and 130 volts can be specified over a frequency range of 57 Hz to 5 kHz. Synchro or resolver inputs and/or different voltages may be accommodated in a single input module at no additional charge.

Signal inputs are differential solid state with high common mode rejections and inherent transient protection. Inputs will withstand 1000% overvoltage and transients for an indefinite period without damage.

INTERFACE DATA

A sample system is shown in the interconnection diagram on the reverse side of this data sheet.

As connected, the 160B100 converter plus a 160B400 expander form a complete 8-channel multiplexed S/D or R/D converter. Refer to the 160B100 data sheet for timing and control information.

Channel selection is accomplished by means of a 3-bit binary address (ABC). The channel select code must **NOT** be changed during a conversion cycle (CB = 1). See table 1 for channel select coding.

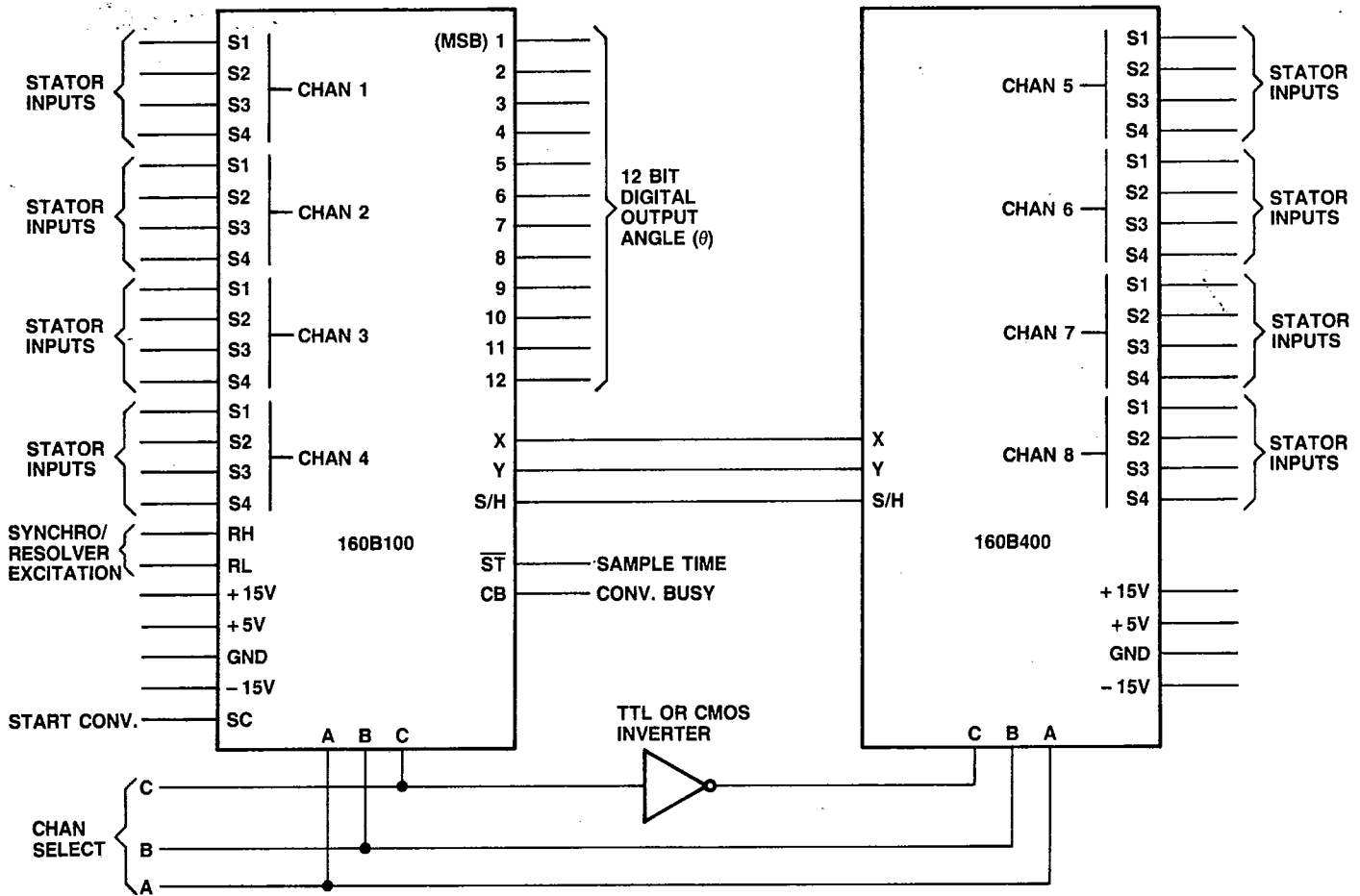
Channel Select Coding

Table 1

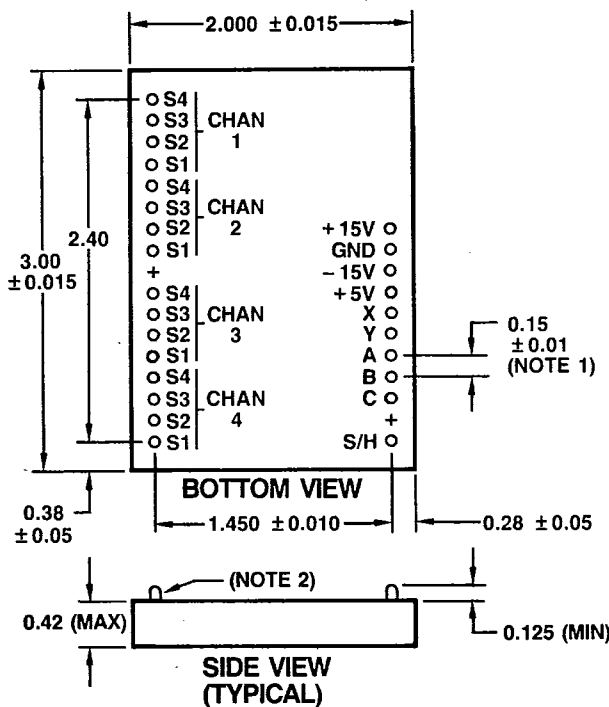
A	B	C	Select Channel
0	0	0	1
1	0	0	2
0	1	0	3
1	1	0	4
0	0	1	5
1	0	1	6
0	1	1	7
1	1	1	8

**INTERCONNECTING DIAGRAM
8 CHANNEL MUX CONVERTER**

查询"160B400"供应商



MECHANICAL OUTLINE



NOTES:

- S4 pin appears on resolver input model only.
- Rigid 0.025 diameter pins for solder-in or plug-in applications.
- Noncumulative.
- Dimensions are in inches unless otherwise specified.

ORDERING INFORMATION

160B Suffix	Input Type	L-L Voltage
400	Sync	11.8V
401	Rsvr	11.8V
402	Sync	90V

The above ordering information lists only the most popular voltages; for other voltages consult factory for part number assignment.

WARRANTY

All units warranted against defects in materials and workmanship for 1 year from date of shipment. Liability is limited to servicing, adjusting, or replacing any CSI product returned to our factory with delivery charges prepaid. In no case shall our liability exceed the original purchase price.