

查询"240239-21"供应商

746-370  
to ↓  
708

HCK - Messzubehör

Multi - Contact <sup>®</sup>



**Safety**  
**Connectors ø 2 mm**  
touch-protected

**and Accessories**

according to IEC 1010-2-031

**Lab 2-S**



[查询"240239-21"供应商](#)

*The MC<sup>®</sup> – HCK merger produced a concentration of technical know-how together with vertical integration in manufacturing that have opened the way to expansion and rounding out of the product range.*

*This catalogue presents our jointly developed, touch protected*

## 2 mm Safety Programme

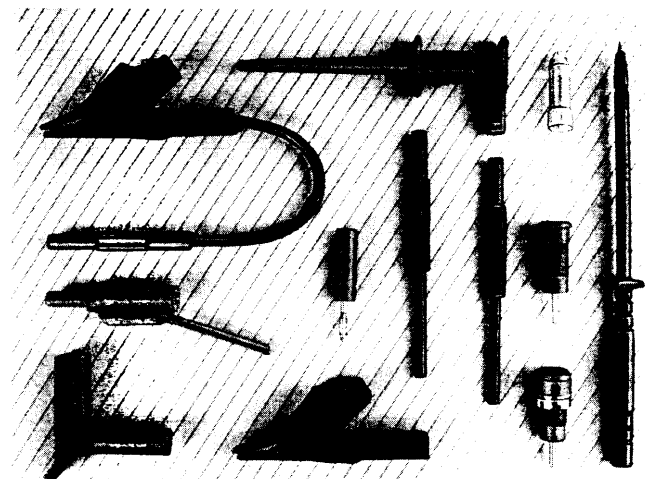
The new 2 mm safety system is used wherever there is insufficient space for the popular 4 mm system.

The concept of employing rigid insulating sleeves in the connectors and cross guards and marked-off gripping zones for test probes and clips was adopted from the 4 mm safety system.

The clearances and creepage distances of the individual components are dimensioned to comply with the stringent requirements of IEC 1010-2-031. Together with the excellent workmanship of our products, this enables us to guarantee maximum safety with the new 2 mm system.

The individual 2 mm components are very lightweight, which means, for example, that a freely hanging lead will put very little weight on the connection point.

Typical applications are found in the areas of control systems and power electronics (e.g. PLC's and their many applications). Also in schools and universities teaching electrical engineering and electronics, test work is frequently done on cramped wiring boards with dangerous voltages – so that ordinary commercial (unprotected) 2 mm connector systems do not offer the necessary safety.



In this catalogue, you'll find:	Page
<input type="checkbox"/> 2 mm safety measuring leads (stackable and axial)	2 - 3
<input type="checkbox"/> 2 mm safety test probes	4
<input type="checkbox"/> 2 mm safety clips and clip leads	5 - 6
<input type="checkbox"/> 2 mm safety adapters for connecting to an unprotected 2 mm plug connector system and to the 4 mm safety system	7
<input type="checkbox"/> 2 mm safety sockets (press-fit or screw-mounting)	8

*Colour code	21 black	22 red	23 blue
--------------	-------------	-----------	------------

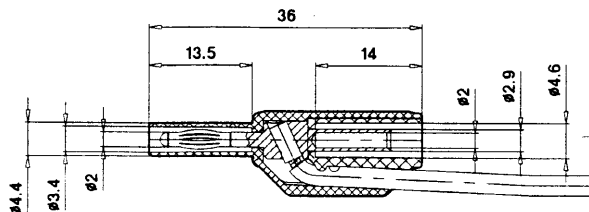
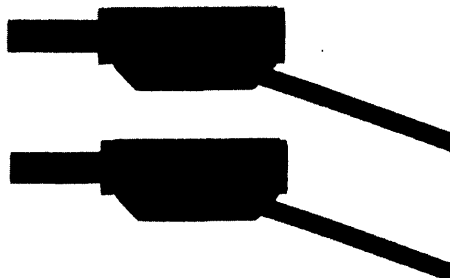


## 2 mm Safety Measuring Leads



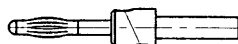
查询“240239-21”供应商

Highly flexible safety leads with stackable 2 mm safety plugs.

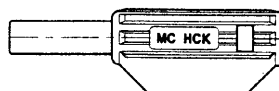


Type	SLK 205-K	SLK 205-K Sil
Rated voltage	600 V, CAT II	600 V, CAT II
Rated current	10 A	10 A
Contact resistance	0.6 mΩ	0.6 mΩ
Lead cross section	0.5 mm <sup>2</sup>	0.5 mm <sup>2</sup>
Lead insulation	PVC	Silicone
Lead operating temp.	-10°C ... +70°C	-80°C ... +150°C
Insulation	PA	PA
Insulation operating temp.	-40°C ... +80°C	-40°C ... +80°C
Metal part / plating	CuZn / Au	CuZn / Au
Standard colours*	21 - 23	21 - 23
Standard lengths	<b>Order No.</b>	<b>Order No.</b>
15 cm	65.9179-015*	65.9180-015*
30 cm	65.9179-030*	65.9180-030*
45 cm	65.9179-045*	65.9180-045*
60 cm	65.9179-060*	65.9180-060*
100 cm	65.9179-100*	65.9180-100*

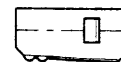
### Parts list



LS 205-SK



KT 205-SK



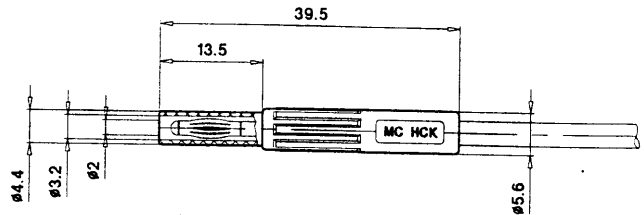
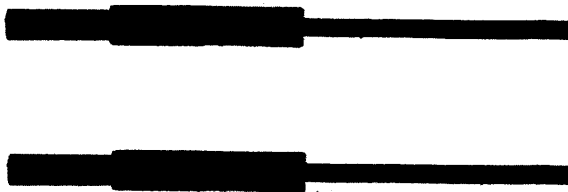
Assembly instructions	MA 500		
⚠ Plug complete	SL 205-K 65.9182-*		
Insulator	KT 205-SK 65.9183-*		
Multilam plug	LS 205-SK 65.9184		
Multistrand wires	FLEXI-2V 0,5 (PVC) 60.7027-*	SILI-1V 0,5 (Silicone) 61.7605-*	
*Colour code	21 black	22 red	23 blue



## 2 mm Safety Laboratory Leads



Highly flexible safety connecting leads with moulded 2 mm axial safety plugs.



Type	SLK 205-L	SLK 205-L Sil
Rated voltage	600 V, CAT II	600 V, CAT II
Rated current	10 A	10 A
Contact resistance	0.6 mΩ	0.6 mΩ
Lead cross section	0.5 mm <sup>2</sup>	0.5 mm <sup>2</sup>
Lead insulation	PVC	Silicone
Lead operating temp.	-10°C ... +70°C	-80°C ... +150°C
Insulation	TPE	TPE
Insulation operating temp.	-40°C ... +80°C	-40°C ... +80°C
Metal part / plating	CuZn / Au <input type="checkbox"/>	CuZn / Au <input type="checkbox"/>
Standard colours*	21 - 23	21 - 23
Standard lengths	<b>Order No.</b>	<b>Order No.</b>
15 cm	65.9173-015*	65.9174-015*
30 cm	65.9173-030*	65.9174-030*
45 cm	65.9173-045*	65.9174-045*
60 cm	65.9173-060*	65.9174-060*
100 cm	65.9173-100*	65.9174-100*

Not available as separate parts !

Multistrand wires	FLEXI-2V 0,5 (PVC) 60.7027-*	SILI-1V 0,5 (Silicone) 61.7605-*
-------------------	------------------------------------	--

*Colour code	21 black	22 red	23 blue
--------------	-------------	-----------	------------

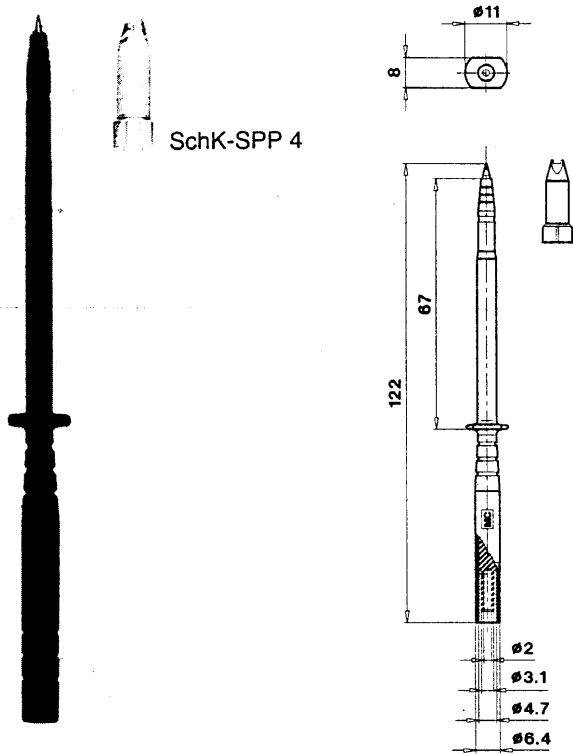


## 2 mm Safety Test Probes



查询"240239-21"供应商  
 Safety test probe with high-grade steel tip. 2 mm safety socket in handle for accepting 2 mm safety leads or any other spring-loaded 2 mm plug. Handle guard chamfered on both sides (anti-

roll form). Supplied with safety cap to prevent injury and enable non-slip contacting of individual IC legs (2.54 mm grid).



<b>Type</b>	<b>SPP 2-S</b>
Rated voltage	1000 V, CAT II
Insulation	PA
Operating temperature	-40°C ... +80°C
Metal part socket	CuZn / Ni
Tip, condition / material	Refined steel needle
Length of steel needle	4 mm
Standard colours*	21 - 22
<b>Order No.</b>	<b>24.0239-*</b>

Safety cap	<b>SchK-SPP 4</b> <b>24.5075-33</b>
Material	PC, transparent

*Colour code	<b>21</b> black	<b>22</b> red	<b>23</b> blue
--------------	--------------------	------------------	-------------------

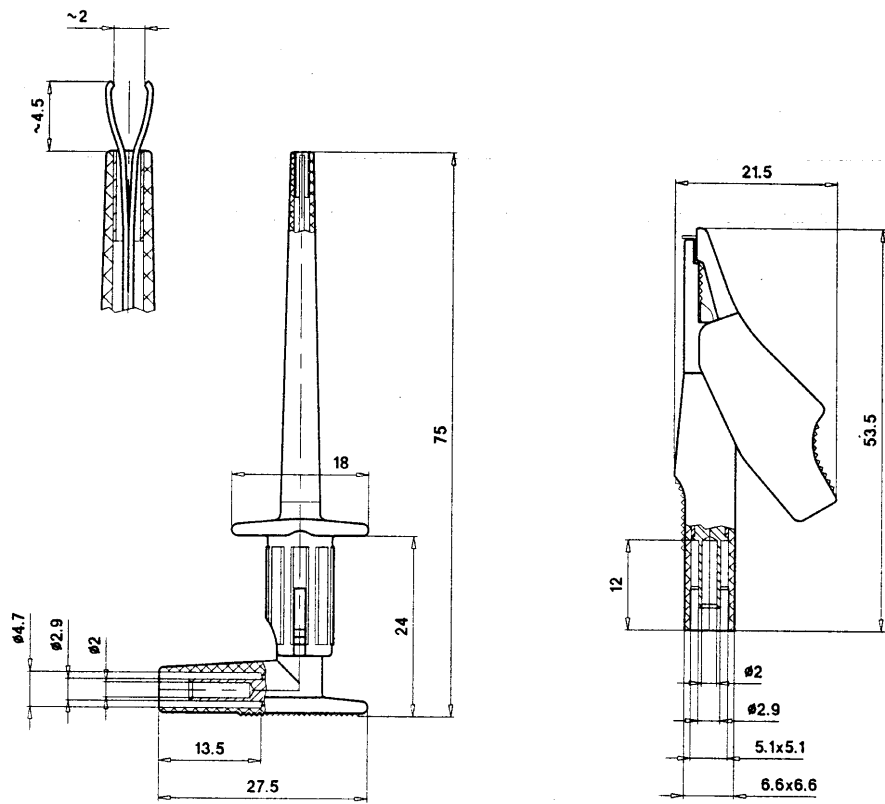


## 2 mm Safety Clips

查询"240239-21"供应商

Safety clip with hardened spring wire grabber with gold-plated contact area. Fully insulated safety crocodile clip with toothed gripping jaws with fine-wire clamping surface.

Both clips built to accept 2 mm safety leads or any spring-loaded 2 mm plug.



Type	Microgrip-XB	XKK-200
Rated voltage	300 V, CAT II	600 V, CAT III
Rated current	1 A	10 A
Insulation	PA	PA
Operating temperature	-40°C ... +80°C	-40°C ... +80°C
Metal part socket	CuZn / Ni	CuZn / Ni
Clip	spring wire grabber, Hard-drawn copper-alloy / Au	toothed jaws with fine-wire surface, CuZn / Ni
Clamping limit	max. 2 mm <input type="checkbox"/>	max. 6 mm <input type="checkbox"/>
Standard colours*	21 - 23	21 - 23
Order No.	65.9187-*	65.9188-*

*Colour code	21	22	23
	black	red	blue

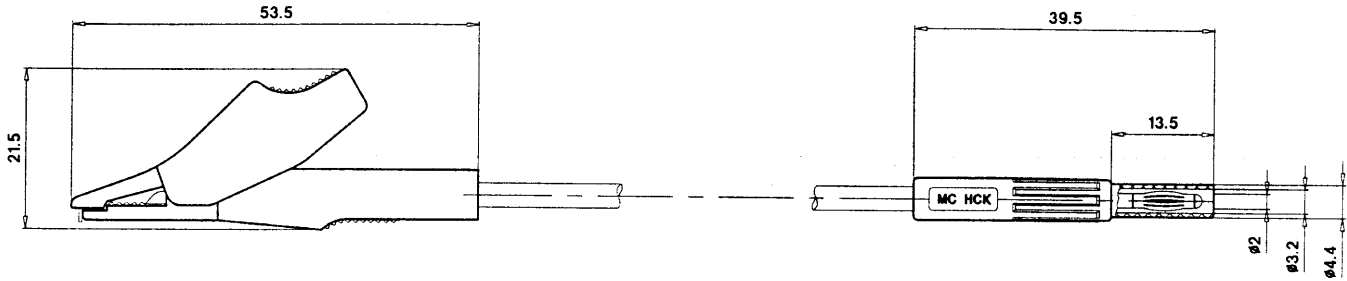
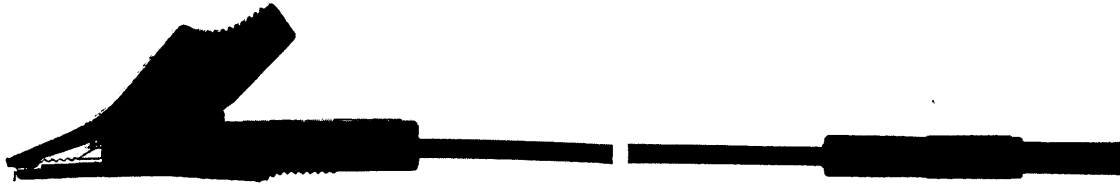


## 2 mm Safety Clip Leads



查询"240239-21"供应商

Highly flexible safety test lead. One end with crocodile clip, fully insulated with toothed gripping jaws with fine-wire clamping surface, other end with axial-entry 2 mm safety plug.



Type	XALF	XALS
Rated voltage	600 V, CAT III	600 V, CAT III
Rated current	10 A	10 A
Lead cross section	0.75 mm <sup>2</sup>	0.75 mm <sup>2</sup>
Lead insulation	PVC	Silicone
Lead operating temp.	-10 °C ... +70 °C	-80 °C ... +150 °C
Insulation	PA / TPE	PA / TPE
Crocodile clip / plug		
Operating temperature	-40°C ... +80°C	-40°C ... +80°C
Crocodile clip / plug		
Metal part / plating	CuZn / Ni <input type="checkbox"/>	CuZn / Ni <input type="checkbox"/>
Standard colours*	21 - 23	21 - 23
Standard lengths	<b>Order No.</b>	<b>Order No.</b>
15 cm	65.9185-015*	65.9186-015*
30 cm	65.9185-030*	65.9186-030*
45 cm	65.9185-045*	65.9186-045*
60 cm	65.9185-060*	65.9186-060*
100 cm	65.9185-100*	65.9186-100*

Not available as separate parts !

Multistrand wires	FLEXI-2V 0,75 (PVC) 60.7028-*	SILI-1V 0,75 (Silicone) 61.7606-*
-------------------	-------------------------------------	---

*Colour code	21 black	22 red	23 blue
--------------	-------------	-----------	------------



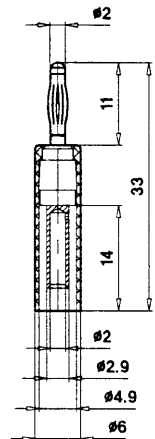
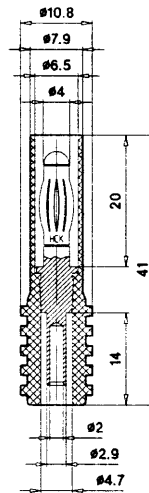
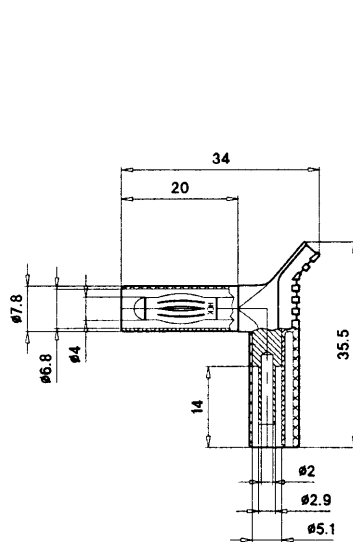
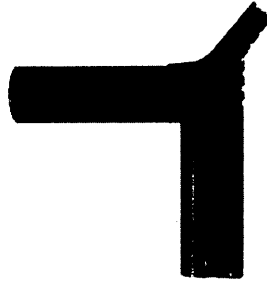
## 2 mm Safety Adapters



[查询"240239-21"供应商](#)

Adapters for connecting an uninsulated 2 mm system or a 4 mm safety system to the 2 mm safety system by means of a

2 mm rear socket. Adapter A-2/2 can be plugged into any 2 mm sockets.



Type	XWA-2/4	XA-2/4	A-2/2
Rated voltage 	600 V, CAT III	600 V, CAT III	This adapter, even in conjunction with safety leads, can only be used at a rated voltage of 30 V <sub>AC</sub> / 60 V <sub>DC</sub>
Rated current	10 A	10 A	10 A
Contact resistance	0.8 mΩ	0.6 mΩ	0.6 mΩ
Insulation	PA	PA	PA
Operating temperature	-40°C ... +80°C	-40°C ... +80°C	-40°C ... +80°C
Metal part / plating	CuZn / Ni	CuZn / Au	CuZn / Au
Terminal	4 mm safety plug	4 mm safety plug	2 mm multilam plug without insulation
Standard colours*	21 - 23	21 - 23	21 - 23
Order No.	65.9190-*	65.9192-*	65.9191-*

*Colour code	21 black	22 red	23 blue
--------------	-------------	-----------	------------





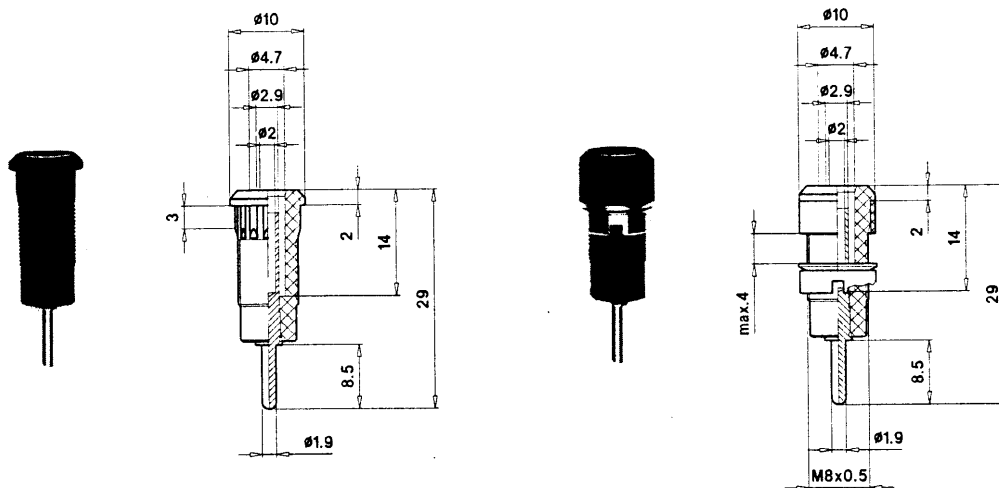
查询"240239-21"供应商

## 2 mm Safety Sockets



Fully insulated safety sockets for accepting 2 mm safety plugs and any commercially available spring-loaded 2 mm plug. Socket SEB 2-R is pressed into predrilled panels of

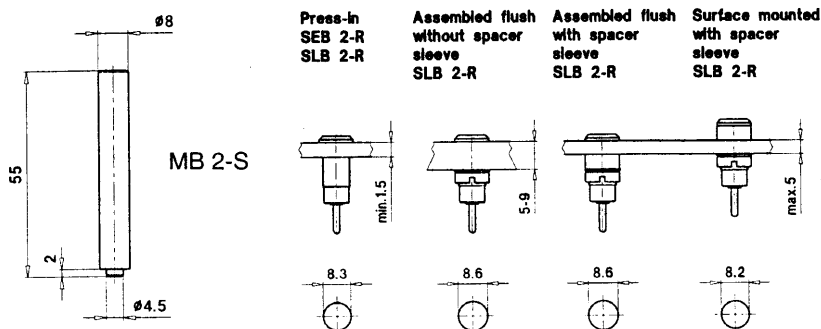
plastic, metal, etc. Socket SLB 2-R can also be screw-mounted. Both sockets have a round gold-plated brass pin for connecting purposes.



Type	SEB 2-R	SLB 2-R
Rated voltage	600 V, CAT III	600 V, CAT III
Rated current	10 A	10 A
Insulation	PA	PA
Operating temperature	-40°C ... +80°C	-40°C ... +80°C
Metal part / plating	CuZn / Au	CuZn / Au
Terminal	Round pin ø 1.9 mm	Round pin ø 1.9 mm
Panel drilling	ø 8.3 mm	see sketch
Panel thickness	min. 1.5 mm	see sketch
Standard colours*	21 - 23	21 - 23
Order No.	65.9193-*	65.9194-*

Assembly instructions	MA 510	MA 511
Assembly material	—	M8 x 0.5 round nuts, spacer sleeve and washer included
Assembly tools	Assembly tool MB 2-S, Order No. 25.0028	Counter spanner SS 2, Order No. 25.0022, Twist stop spanner SS 2-S, Order No. 25.0023
Drill	HSS 8.3	see sketch (panel drilling)
Terminal	Round connecting receptacle (CuZn / Au) RSH ø 1.9 mm 23.5202	

### Assembly



*Colour code	21 black	22 red	23 blue
--------------	-------------	-----------	------------

# MC® - HCK Catalogue Review

[查询"240239-21"供应商](#)

## Laboratory Product Group

### Lab 1

Miniature-Connectors  
ø 0.5 mm – ø 2 mm,  
plug connectors for printed circuits

### Lab 2/3

Laboratory connectors  
ø 2 mm, ø 2.3 mm, ø 3 mm,  
laboratory leads, test leads, plugs,  
sockets, test accessories

### Lab 2-S

Safety connectors ø 2 mm,  
safety measuring leads, test probes,  
clips, clip leads, adapters and safety  
sockets according to IEC 1010-2-031

### Lab 4

Laboratory connectors ø 4 mm,  
connecting leads, plugs, sockets,  
test accessories

### Lab 4-S

Safety connectors ø 4 mm,  
Safety plug connectors, safety  
connecting leads, safety sockets  
and test accessories  
according to IEC 1010-2-031

### Lab Si

Safety connectors ø 2 mm,  
ø 4 mm, ø 6 mm, Safety test- and  
connection leads, -sockets, -probes,  
-clips, -adapters, fully insulated  
BNC-connectors, touch protected in  
accordance to IEC 1010-2-031

### Test Accessories

ø 2 mm and ø 4 mm test- and  
connection leads, probes, clips,  
adapters, sockets, ø 4 mm  
safety connectors and fully insulated  
BNC-connectors, touch protected in  
accordance to IEC 1010-2-031

### Stranded Leads

highly flexible, very thin wires,  
extremely resistant Silicone, PVC,  
Thermoflex and Teflon® -FEP sheathing

## High Current Product Group

### Ho 1

Round connectors, single-pole  
uninsulated, up to 6000 A

### Ho 2

Round connectors ø 6 mm, single-pole,  
insulated, up to 100 A

### Ho 3

Round connectors, single-pole, insulated  
with snap-in lock, watertight, up to 600 A

### Ho 4

Round connectors, single-pole, insulated  
with bayonet lock, up to 1000 A

### Ho 5d

Double fork plugs for slide-in rack  
connections up to 1500 A

### Ho 6

Crossbar distributors, up to 1000 A

### Ho 7b

Primary circuit connectors for electric  
welding transformers

### Ho 7c

Multi-pole connectors for  
multi-couplings / docking systems

### Ho 7s

Connections for electric vehicles  
630 V, up to 330 A

### Ho 8

Accessories for  
electric welding apparatus

### Ho 9

Connectors for equipotential bonding  
in medical installations

### Ho 10

Motor terminal plugs

### Ho 11

Earthing sockets

### Ho 12

Slide-in rack connectors

### Ho 14

Leads and lead assembly

### Ho 15

MC® Technology Applications

### Ho 19

connector system for photovoltaic

## Special Connectors

Connectors for low vol-  
tage lighting installation systems

### Safety connectors for medical equipment

ø 1.5 mm, autoclavable with steam,  
touch-protected, in compliance with  
standard DIN 42802

## MC®-Multilam

## Test Equipment Product Group

Safety tests complying with  
IEC / EN / VDE / DIN standards

### High Voltage Test Equipment

Tests of dielectric strength

### Insulating Oil Test Equipment

### Insulation and Protective Conductor Test Equipment

### Production Test Equipment

Tests of electrical devices  
during production

### Resitest

Continuity tester

### Triphas

Rotating field tester

### Digimeg

Insulation tester

## Current Probes

for current measurement without inter-  
rupting the circuit. Complete with digital  
display or for use with oscilloscopes,  
multimeters or recording equipment

# MC<sup>®</sup>-Companies

## Stammhaus / Head Office:

Multi-Contact AG Basel  
Stockbrunnenrain 8+12  
CH-4123 Allschwil  
Tel. 061 / 302 45 45  
Fax 061 / 302 45 68

## MC<sup>®</sup>-Technische Büros Schweiz

Multi-Contact AG  
Technisches Büro  
Roland Baechle  
Stockbrunnenrain 8  
CH-4123 Allschwil 1  
Tel. 061 / 302 45 45  
Fax 061 / 302 45 68

Multi-Contact AG  
Technisches Büro  
Paul J. Merz (El. Ing. HTL.)  
Schorenbachweg 4  
CH-5734 Reinach (AG)  
Tel./Fax 062 / 772 01 55

## Multi-Contact France

(Siège Social)  
M. Rey  
4, rue de l'Industrie Z.I.  
F-68220 Héisingue  
Tel. 03.69.67.65.70  
Fax 03.69.69.27.96

## Les représentations régionales

Secteur Est  
Michel Hild  
4, rue de l'Industrie Z.I.  
F-68220 Héisingue  
Tel. 03.69.67.65.70  
Fax 03.69.69.27.96

Secteur Paris-Ouest + Nord  
(Ets secondaire)  
Jean-Claude Motron  
27, Avenue de Wailly  
F-78290 Croissy / Seine  
Tel. 01.30.53.66.04  
Fax 01.30.53.66.05

Secteur Paris-Est + Centre  
Hervé Hamon  
24 bis, Avenue de Longjumeau  
F-91360 Villemoisson / Orge  
Tel. 01.69.51.34.34  
Fax 01.69.51.14.67

Secteur Ouest  
Yves Bignon  
Carado  
F-56870 Baden  
Tel. 02.97.57.01.85  
Fax 02.97.57.03.07

Secteur Sud-Ouest  
Jésus de Pablo  
10, Hameau de Percouray  
F-31530 Montaignut sur Save  
Tel. 05.61.85.64.64  
Fax 05.61.85.20.09

Secteur Sud-Est  
Jean-Marc Bergez  
6, Place de l'Eglise  
F-69320 Feyzin  
Tel. 04.78.67.20.65  
Fax 04.78.67.25.58

## Multi-Contact Deutschland GmbH

Hegenheimer Straße 19  
Postfach 1606  
D-79551 Weil am Rhein  
Tel. 07621 / 667-0  
Fax 07621 / 667-100

## HCK-Messzubehör GmbH

Hövelstrasse 214  
Postfach 12 00 26  
D-45311 Essen  
Tel. 0201 / 83105-0  
Fax 0201 / 83105-99

## MC<sup>®</sup>-Technische Büros Deutschland

Multi-Contact Deutschland GmbH  
Technisches Büro  
Herr U. Ehler  
Ortsteil Dorf Wehlen  
Schulstraße 1  
D-01829 Stadt Wehlen  
Tel./Fax 035024 / 70 426

Multi-Contact Deutschland GmbH  
Technisches Büro  
Herr K. Walther  
Nelkenstrasse 42  
D-16761 Hennigsdorf  
Tel./Fax: 03302 / 22 01 79

Illies GmbH  
Ingenieur-Büro  
Herr R. Illies  
Im Bleichetal 1  
D-38667 Bad Harzburg  
Tel. 05322 / 9 11 10-0  
Fax 05322 / 9 11 10-9

Multi-Contact Deutschland GmbH  
Technisches Büro  
Herr Ed. Giersiepen  
Kückelhauser Str. 3  
D-58339 Breckerfeld  
Tel. 02338 / 10 49  
Fax 02338 / 10 56

Multi-Contact Deutschland GmbH  
Technisches Büro  
Herr St. Schultz  
Rothebach 19  
D-59065 Hamm  
Tel. 02381 / 15 684  
Fax 02381 / 15 666

Barghorn GmbH  
MC-Technisches Büro  
Herr R. Barghorn  
Am Schulzehnten 3  
D-63546 Hammersbach  
Tel. 06185 / 21 60  
Fax 06185 / 75 96

Emil Fritz KG  
Ingenieur-Büro  
Herr W.D. Fritz  
Zazenhäuserstr. 70  
D-70437 Stuttgart-Zuffenhausen  
Tel. 0711 / 87 50 47  
Telex 725 21 05  
Fax 0711 / 87 34 05

Multi-Contact Deutschland GmbH  
Technisches Büro  
Herr M. Müller  
Am Stögnfeld 3  
D-85244 Röhrmoos bei München  
Tel. 08139 / 65 85  
Auto-Tel. 0171 / 45 93 595  
Fax 08139 / 70 90

Multi-Contact Deutschland GmbH  
Technisches Büro  
Herr K.-W. Herbert  
Neue Strasse 30  
D-91091 Grosseeseebach  
bei Erlangen  
Tel. 09135 / 12 55  
Fax 09135 / 62 35

HCK-Messzubehör GmbH  
Technisches Büro  
für HCK-Prüfgeräte  
Herr J. Rambusch  
Mozartstrasse 26  
D-14513 Teltow  
Tel. 03328 / 470530  
Fax 03328 / 301427

Multi-Contact SEA  
(South East Asia) Pte.Ltd.  
Mr. A. Binggeli, Mr. Ang  
9 Pioneer Road North #01-55  
Singapore 2262  
Tel. 0065 / 266 09 00  
Telex MC SEA RS 356 39  
Fax 0065 / 266 10 66

Multi-Contact (Thailand) Co-Ltd.  
160/71 Silom Road  
ITF Silom Palace, 10th Floor  
Bangkok 10500  
Tel. 0066 / 2 / 233 31 17  
Fax 0066 / 2 / 236 33 00

Multi-Contact  
Handelsges. m.b.H. Austria  
Herr Figl  
Hauptplatz 2  
A-3452 Heiligeneich  
Tel. 0043 / 22 75 / 56 56  
Fax 0043 / 22 75 / 56 56 4

Multi-Contact Benelux N.V./S.A.  
Herr R. Zeller  
Xavier De Cocklaan 72  
B-9830 St. Martens-Latem  
Tel. 0032 / 9 / 281 07 50  
Fax 0032 / 9 / 281 07 55

Multi-Contact Italia S.r.l.  
Herr Del Vecchio  
Via Vetreria, 1 "Como 90"  
I-22070 Grandate (CO)  
Tel. 0039 / 31 / 56 52 52  
Fax 0039 / 31 / 56 52 62

Multi-Contact (U.K.) Ltd.  
Mr. Vic Lavell, Mr. Selwyn Coms,  
Ms. Nathaly Esser (deutschspr.)  
3 Presley Way  
Crownhill  
Milton Keynes  
GB-Buckinghamshire MK 8 OES  
Tel. 0044 / 1908 26 55 44  
Fax 0044 / 1908 26 20 80

## Multi-Contact USA

Head Office  
Tom Neidecker / Walt Roberts  
5560 Skylane Boulevard  
Santa Rosa, CA 95403  
Tel. 707 / 575 - 7575  
Fax 707 / 575 - 7573

Midwest Office  
Hank Enstrom  
901 Winslow Ave.  
Woodstock, IL 60098  
Tel. 815 / 334-9530  
Fax 815 / 334-9529

Northeast Office (Summer address)  
Ken King  
22, South Broadway  
Salem, NH 03079  
Tel. 603 / 898 - 7575  
Fax 603 / 894 - 4104

Southeast Office (Winter address)  
Ken King  
2947 San Geronimo  
Port St. Lucie, FL 34952  
Tel. 407-335-5444  
Fax 407-335-4991

Southwest Office  
Phil Gottlieb  
2111/102 S. Collins  
Arlington, TX 76010  
Tel. 817 / 543 - 0031  
Fax 817 / 277 - 5111

Mid-Atlantic Office  
Tom Bilinski  
560/400 Fellowship Road  
Mount Laurel, NJ 08054  
Tel. 609 / 439-1311  
Fax 609 / 273-0660