



Frontier Electronics Corp.

667 E. COCHRAN STREET, SIMI VALLEY, CA 93065

TEL: (805) 522-9998 FAX: (805) 522-9989

E-mail: frontiersales@frontierusa.com

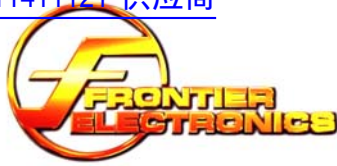
Web: frontierusa.com

High Current RF Varnished Chokes (Axial Leads)-11411 series

A. Electrical Specifications:

Part No.	L (uH)	DCR (Ω max.)	I sat. (DC Amps)	I rms. (AC Amps)
114113R9	3.9	.007	15.5	4.00
114114R7	4.7	.008	13.9	4.00
114115R6	5.6	.011	12.6	4.00
114116R8	6.8	.011	11.6	4.00
114118R2	8.2	.013	9.89	4.00
11411100	10	.017	8.70	4.00
11411120	12	.019	8.21	4.00
11411150	15	.022	7.34	4.00
11411180	18	.023	6.64	4.00
11411220	22	.026	6.07	4.00
11411270	27	.027	5.36	4.00
11411330	33	.032	4.82	4.00
11411390	39	.033	4.36	4.00
11411470	47	.035	3.98	4.00
11411560	56	.037	3.66	3.20
11411680	68	.047	3.31	2.50
11411820	82	.060	3.10	2.00
11411101	100	.090	2.79	1.60
11411121	120	.113	2.54	1.60
11411151	150	.129	2.22	1.60
11411181	180	.150	1.98	1.60
11411221	220	.162	1.89	1.60
11411271	270	.208	1.63	1.60
11411331	330	.212	1.51	1.60
11411391	390	.281	1.39	1.60
11411471	470	.380	1.24	1.20
11411561	560	.420	1.17	1.00
11411681	680	.548	1.05	1.00
11411821	820	.655	0.97	0.800
11411102	1000	.844	0.87	0.800
11411122	1200	1.04	0.79	0.600
11411152	1500	1.16	0.70	0.600
11411182	1800	1.56	0.64	0.600
11411222	2200	2.00	0.58	0.500
11411272	2700	2.06	0.53	0.400
11411332	3300	2.53	0.47	0.400
11411392	3900	2.75	0.43	0.400
11411472	4700	3.19	0.39	0.400
11411562	5600	3.92	0.359	0.315
11411682	6800	5.69	0.322	0.250
11411822	8200	6.32	0.293	0.250
11411103	10000	7.30	0.266	0.250
11411123	12000	9.21	0.241	0.200
11411153	15000	10.5	0.214	0.200
11411183	18000	14.8	0.198	0.158
11411223	22000	21.8	0.180	0.125
11411273	27000	22.7	0.162	0.125
11411333	33000	25.7	0.146	0.125
11411393	39000	31.8	0.135	0.100
11411473	47000	36.1	0.122	0.100
11411563	56000	40.9	0.112	0.100
11411683	68000	57.3	0.101	0.082
11411823	82000	79.3	0.090	0.065
11411104	100000	89.7	0.810	0.065





Frontier Electronics Corp.

667 E. COCHRAN STREET, SIMI VALLEY, CA 93065

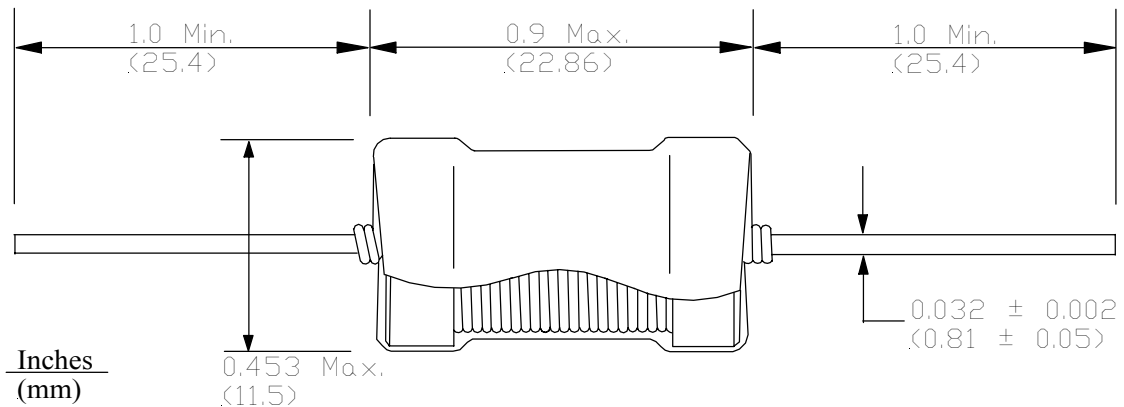
TEL: (805) 522-9998 FAX: (805) 522-9989

E-mail: frontiersales@frontierusa.com

Web: frontierusa.com

High Current RF Varnished Chokes (Axial Leads)-11411 series

B. Mechanical Dimensions:



C. General Information:

1. Inductance: $\pm 15\%$ @ 1 KHz, 10% and 5% tolerances optional.
2. Ferrite bobbin core
3. Low DCR & High current capacity.
4. Saturation current to cause 10% maximum inductance drop.
5. Ambient Temperature -55°C to $+125^{\circ}\text{C}$.
6. Rated current to cause 35°C max. temperature rise
7. Dielectric strength 2500Vrms
8. Coil finished with varnish and covered with VW1 rated shrink tubing.
9. Packaging for bulk: 200 pcs/box and 32000 pcs/carton.

Note: *RoHS* compliant; for the *RoHS* parts, we add "**-LFR**" at the end of the P/N.