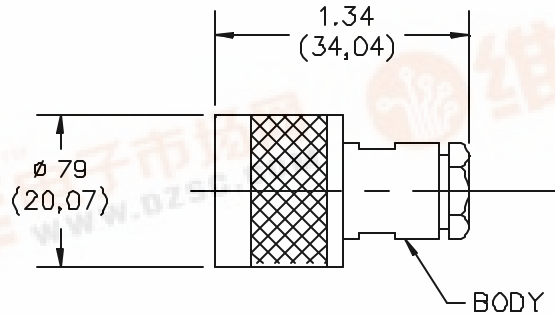


Model 4787 & Assembly Instructions “N” Male Cable Plug



FEATURES:

- Cable connection for RG 58 and 142, 223, 141

MATERIALS:

Body and Fitting – Brass per QQ-B-626, Alloy 360, ½ Hard

Center Contact – Gold Plated Brass per QQ-B-626, Alloy 360, ½ Hard

Dielectric – PTFE

Gaskets and Seals: Silicone Rubber

Finish: Body and Fittings: Tarnish resistant

Center Contact: Gold flash over silver plate per QQ-S-365

RATINGS:

Nominal Impedance: 50 Ohms

Dielectric Withstanding Voltage: 2500 VRMS, 1 Min., 60 Hz.

ORDERING INFORMATION: Model 4787

All dimensions are in inches. Tolerances (except noted): .xx = ±.02" (.51 mm), .xxx = ±.005" (.127 mm).

All specifications are to the latest revisions. Specifications are subject to change without notice.

Registered trademarks are the property of their respective companies. Made in USA

Sales: 800-490-2361 Fax: 888-403-3360
Technical Assistance: 800-241-2060

PomonaACCESS 90103 (800) 444-6785 or (425) 446-6010
More drawings available at www.pomonaelectronics.com

Model 4787 & Assembly Instructions
“N” Male Cable Plug

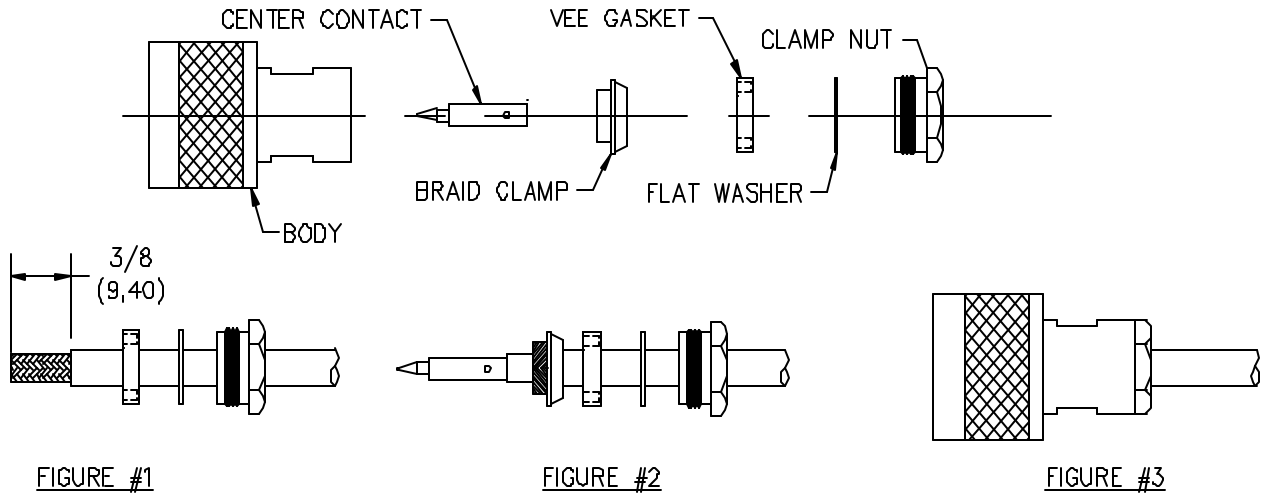


FIGURE #1

FIGURE #2

FIGURE #3

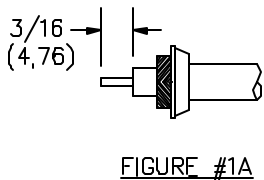


FIGURE #1A

FIGURE #1

- A. Slide clamp nut, flat washer and Vee gasket over cable.
- B. Strip cable jacket to dimensions shown.

FIGURE #1A

- C. Slide braid clamp over braid positioned with the inner shoulder against the cable jacket
- D. Fold braid over braid clamp.
- E. Strip Dielectric

FIGURE #2

- F. Solder center contact to cable center conductor.

FIGURE #3

- G. Slide clamp nut, flat washer and Vee gasket forward against braid clamp.
- A. Place connector body over end of cable, thread clamp nut into body and tighten.

All dimensions are in inches. Tolerances (except noted): .xx = ±.02" (.51 mm), .xxx = ±.005" (.127 mm).
 All specifications are to the latest revisions. Specifications are subject to change without notice.
 Registered trademarks are the property of their respective companies. Made in USA

Sales: 800-490-2361 Fax: 888-403-3360
 Technical Assistance: 800-241-2060

PomonaACCESS 90103 (800) 444-6785 or (425) 446-6010
 More drawings available at www.pomonaelectronics.com