



# 40 PIN SMD ETHERNET 10/100 BASE -TX HIGH SPEED LAN MAGNETICS

## P/N: 40SS1041AX LF DATA SHEET

### Feature



- IEEE 802.3 Ethernet compatible .
- 100 Base-TX Surface mountable .
- Design for multi-port repeater and Ethernet switching HUB application .
- Customer designs available for specific application.
- Comply with RoHS requirements-whole part No Cd, No Hg, No Cr6+, No PBB and PBDE and No Pb on external pins.
- Comply with Air reflow profile of JEDEC 020C.
- Operating temperature range : 0 to +70 .
- Storage temperature range: -25 to +125 .

### Electrical Specifications @ 25°C

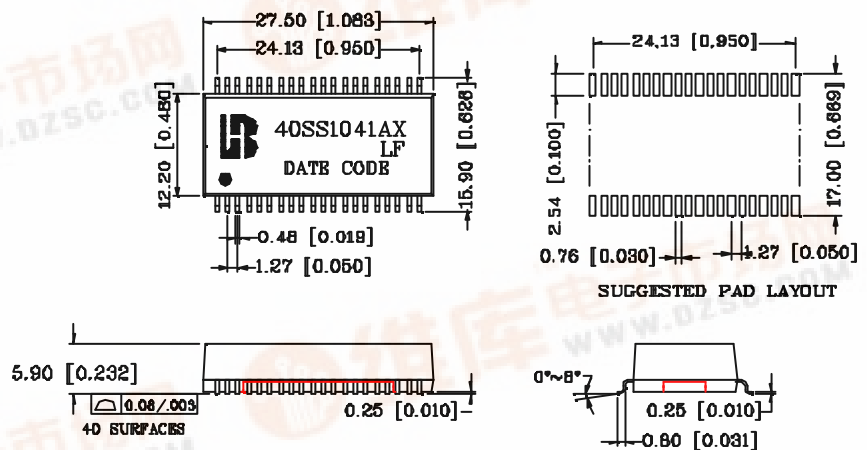
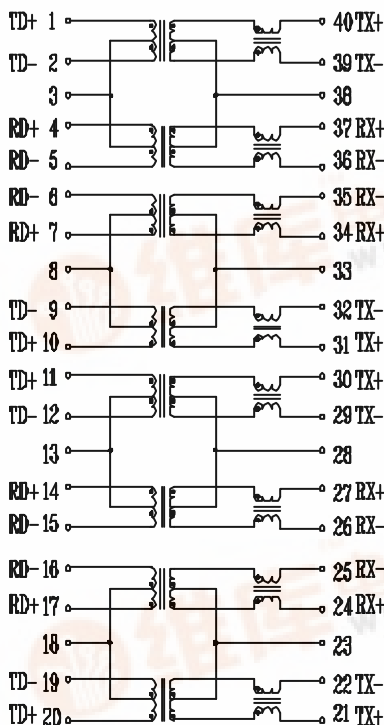
Part Number	Turns Ratio (±5%)		OCL(uH Min) @100KHz/0.1V with 8mA DC Bias	L.L (uH Max)	C <sub>ww</sub> (pF Max)	HI-POT (Vrms)
	TX	RX				
40SS1041AX LF	1CT:1CT	1CT:1CT	350	0.4	56	1500

### Continue

Part Number	Insertion Loss (dB Max)	Return Loss (dB Min)			Cross talk (dB Min)		DCMR (dB Min)		
		0.3-100MHz	0.3-30MHz	30-60MHz	60-80MHz	0.3-60MHz	60-100MHz	60MHz	100MHz
40SS1041AX LF	-1.15	-16	-12	-10	-40	-35	-37	-28	-25

### Schematic

### Mechanical



Units: mm[Inches] Tolerances: xx.x0±0.25[0.010]  
0.xx±0.05[0.002]

