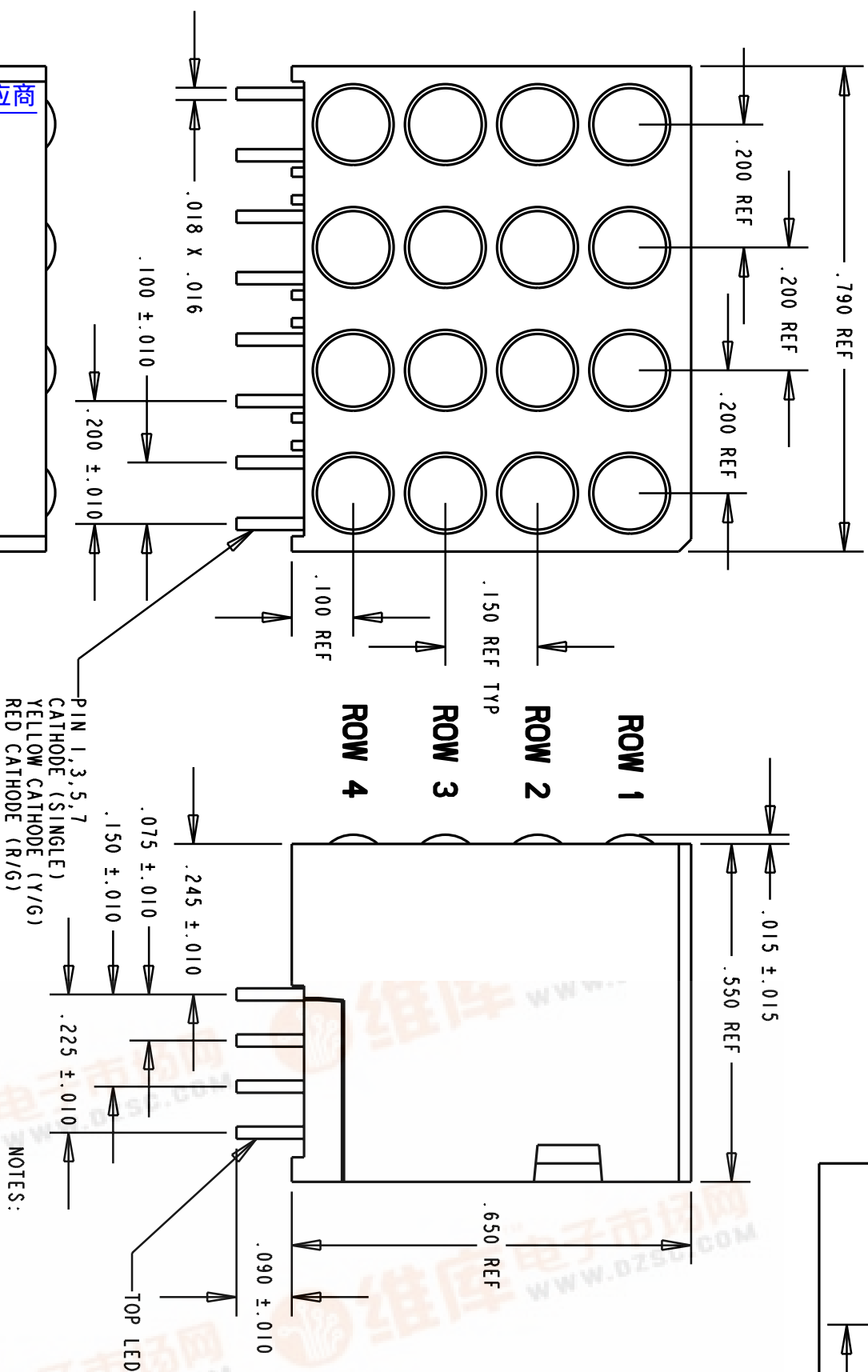
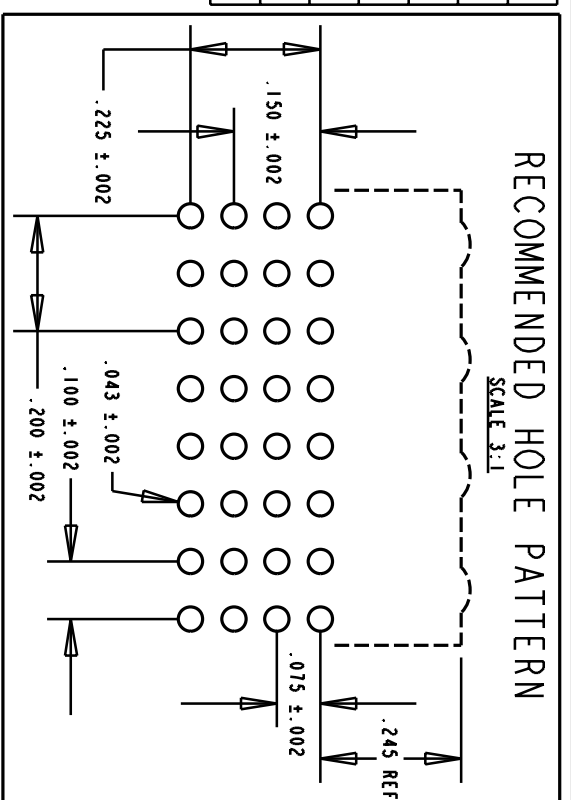


PART NUMBER	LED COLOR			
	ROW 1	ROW 2	ROW 3	ROW 4
568-0731-1114	RED / GREEN	RED / GREEN	RED / GREEN	RED / GREEN
568-0734-4444	YELLOW / GREEN	YELLOW / GREEN	YELLOW / GREEN	YELLOW / GREEN
568-2231-1114	RED NON-DIFFUSED	RED NON-DIFFUSED	RED NON-DIFFUSED	RED NON-DIFFUSED
568-2232-2224	GREEN NON-DIFFUSED	GREEN NON-DIFFUSED	GREEN NON-DIFFUSED	GREEN NON-DIFFUSED
568-2233-3334	YELLOW NON-DIFFUSED	YELLOW NON-DIFFUSED	YELLOW NON-DIFFUSED	YELLOW NON-DIFFUSED

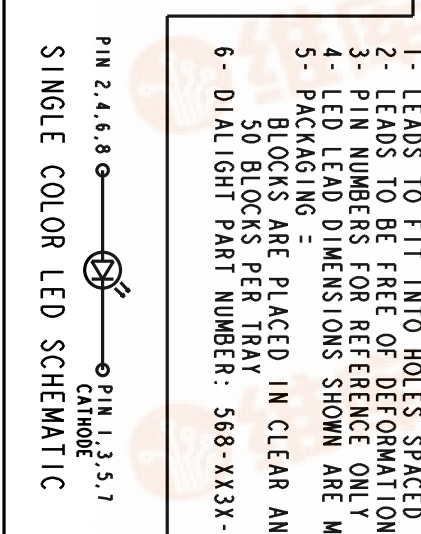
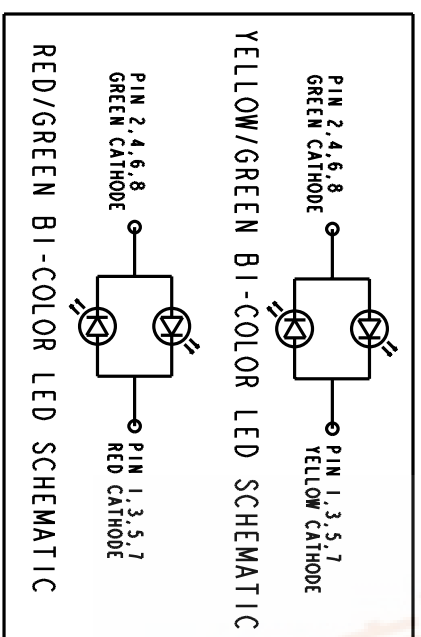


PIN 1, 3, 5, 7
CATHODE (SINGLE)
YELLOW CATHODE (Y/G)
RED CATHODE (R/G)

NOTES:

- LEADS TO FIT INTO HOLES SPACED AS PER HOLE PATTERN
- LEADS TO BE FREE OF DEFORMATION AFTER BENDING AND CUTTING
- PIN NUMBERS FOR REFERENCE ONLY - DO NOT EXIST ON PART
- LED LEAD DIMENSIONS SHOWN ARE MEASURED AT HOUSING EXIT
- PACKAGING =
- BLOCKS ARE PLACED IN CLEAR ANTISTATIC TRAY
- 50 BLOCKS PER TRAY
- DIALIGHT PART NUMBER: 568-XX3X-XXXX

OPERATING CHARACTERISTICS AT 25°C AMBIENT		MIN	TYP	MAX	UNITS	TEST CONDITIONS
CHARACTERISTICS	LED COLOR	RED	8.7	29		
		GREEN	32	50		
		YELLOW	10		50	mc d
		RED / GREEN	2.5/3.7	4.7/10.0		I F = 10 mA
LUMINOUS INTENSITY	RED	2.5	4.3/6.3			
	GREEN		2.0	2.8		
	YELLOW		2.1	2.8		
	RED / GREEN		2.1	2.8		I F = 20 mA
FORWARD VOLTAGE	RED / GREEN		2.0/2.1	2.8		
	YELLOW / GREEN		2.1	2.8		
REVERSE CURRENT	ALL		100		µA	
	RED / GREEN		100		µA	V R = 5 V
PEAK WAVELENGTH	RED		635			
	GREEN		565			
	YELLOW		585			
	RED / GREEN		635/565			
VIEWING ANGLE	ALL		45			
	RED / GREEN		60		Degree	
CAPACITANCE	RED / GREEN		80			
	YELLOW / GREEN		20			
	RED		35			
	YELLOW		15			p f
	RED / GREEN		20/35			V F = 0, f = 1MHz
	YELLOW / GREEN		15/35			



THIS DRAWING AND THE CONTENTS HEREIN ARE CONFIDENTIAL AND THE SOLE PROPERTY OF DIALIGHT. REPRODUCTION OF THIS DRAWING OR CONSTRUCTION OF ANY PARTS WITHIN THIS DRAWING ARE FORBIDDEN WITHOUT THE WRITTEN CONSENT OF DIALIGHT.		REV	B
DRAWING NUMBER		C-16597	
TITLE		4X4 CBI ARRAY BLOCK	
MATERIAL			
FINISH:			
SCALE 4:1			
ALL DIM'S IN: INCHES			
TOLERANCES: UNLESS OTHERWISE SPECIFIED			
FRACTIONS: ±1/64			
DECIMALS (.XX): ±.020			
DECIMALS (.XXX): ±.015			
DECIMALS (.XXXX): ±.010			
ANGLES: ±3°			
FSCM		83330	
SHEET		OF	
FAMILY TABLE:			

REV.	ECN NO.	REVISIONS	DRN.	CKD.	APP.	DATE
A	-----	NEW RELEASE	TC	AV	NO	11-2-99
B	-----	ADD 568-0731-1114/-0734-4444	AV			