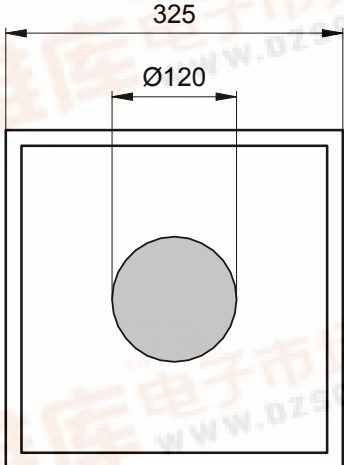


Radiation	Type	Technology	Electrodes
Infrared	DDH	AlGaAs/AlGaAs	N (cathode) up

 <p style="text-align: center;">LED-03</p>	typ. dimensions (μm)
	<u>typ. thickness</u> 150 (± 25) μm <u>cathode</u> gold alloy, 1.5 μm <u>anode</u> gold alloy, 0.5 μm

Optical and Electrical Characteristics

$T_{\text{amb}} = 25^{\circ}\text{C}$, unless otherwise specified

Parameter	Test conditions	Symbol	Min	Typ	Max	Unit
Forward voltage	$I_F = 20 \text{ mA}$	V_F		1.7	2.0	V
Reverse voltage	$I_R = 100 \mu\text{A}$	V_R	5			V
Radiant power*	$I_F = 20 \text{ mA}$	Φ_e	1.5	2.5		mW
Peak wavelength	$I_F = 20 \text{ mA}$	λ_p	730	740	750	nm
Spectral bandwidth at 50%	$I_F = 20 \text{ mA}$	$\Delta\lambda_{0.5}$		30		nm
Switching time	$I_F = 20 \text{ mA}$	t_r, t_f		40		ns

*Measured on bare chip on TO-18 header with *EPIGAP* equipment

Labeling

Type	Lot N°	$\Phi_e(\text{typ})$ [mW]	$V_F(\text{typ})$ [V]	Quantity
ELC-740-25				

Packing: Chips on adhesive film with wire-bond side on top

This datasheet has been downloaded from:

www.EEworld.com.cn

Free Download

Daily Updated Database

100% Free Datasheet Search Site

100% Free IC Replacement Search Site

Convenient Electronic Dictionary

Fast Search System

www.EEworld.com.cn