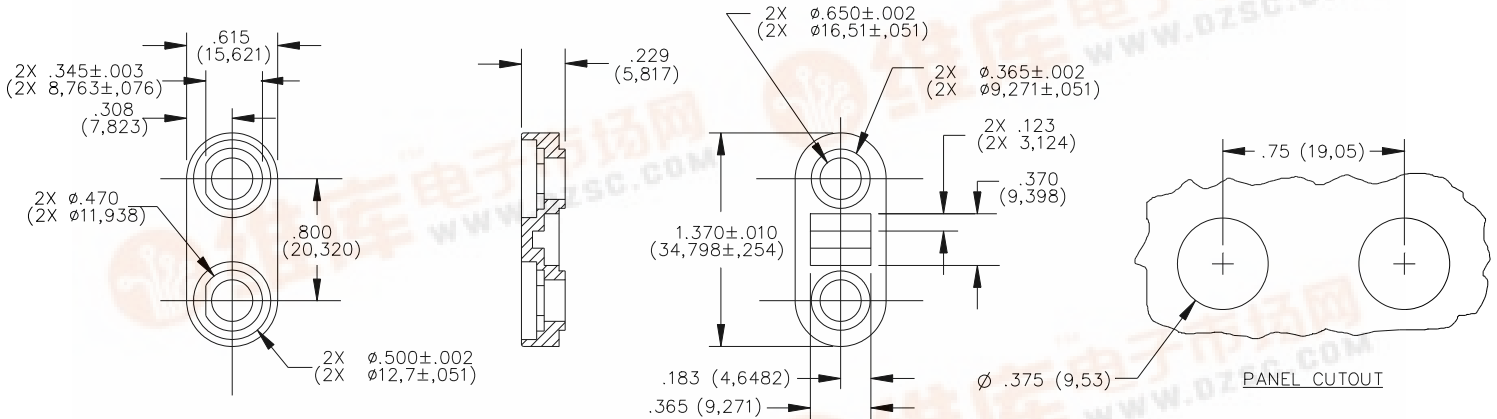


**Model 4654**  
**Double Standard Banana Jack**  
**Mounting Base**



**MATERIALS:**

Body: Polycarbonate

Color: Black

Marking : "Pomona Electronics Calif."

**RATINGS:**

Operating Temperature: +115° C. (+239° F.) Max.

**ORDERING INFORMATION:** Model 4654-\*

\*=Color, -0 Black,

Ordering Example: 4654-0 Mounting Base Color is Black

Parts are packaged ten (10) per bag.

For use with Models 1581, 2269, 2854, 4005.

All dimensions are in inches. Tolerances (except noted): .xx = ±.02" (.51 mm), .xxx = ±.005" (.127 mm).

All specifications are to the latest revisions. Specifications are subject to change without notice.

Registered trademarks are the property of their respective companies. Made in USA

6/9/99