



MT-RJ Connectors and Adapters

[查询"86003-3000"供应商](#)



Features & Benefits

- Versatile connector system with a RJ-45 form factor
- Duplex ferrule
- Increases port density required on computer and networking related hardware, panels, wall plates, and in closets by 50%
- Meets TIA-568A standards
- Low insertion loss:
 - <.22 dB TYP MM
 - <.19 dB TYP SM

Applications

- Premise infrastructure
 - Backbone
 - Horizontal
- Local Area Networks (LAN's)
- Device terminations
- Telecommunication networks

The MT-RJ connector was developed to meet growing customer demands for smaller, lower cost, and easier-to-use fiber optic connectivity. The MT-RJ reduces the space required on panels, wall plates and in closets by 50% throughout the network. This small form factor connector is ideal for fiber-to-the-desk applications. The design meets TIA requirements.

The MT-RJ uses an improved version of an industry standard RJ-45 type plug. This combination of a small form factor connector with the familiar RJ-45 latching mechanism ensures the MT-RJ connector to be the perfect choice for horizontal cabling needs to the desk-top.

Products in the MT-RJ connector solution family will include: field mountable connectors, duplex patchcords, hybrid patchcords, pigtailed, duplex adapters for MT-RJ cut-outs, as well as SC cut-outs, SixPaxs™ panels, hand polishing tooling, and consumable kits.

The MT-RJ adapter occupies approximately the same space as a simplex SC adapter. When used in conjunction with the SixPaxs panel, the MT-RJ duplex adapter fits most LGX* style hardware, offering more user-friendly characteristics in high density applications.

*LGX is a trademark of Lucent Technologies

Performance and Specifications

Connector	Multimode	Singlemode
Nominal Fiber OD	125µm	125µm
Insertion Loss (Average standard deviation)	.22, .09 dB	0.19, .06 dB
Return Loss (Minimum)	20 dB	45 dB
Cable Retention (Minimum)	Exceeds 15 lbs. / 67N	Exceeds 15 lbs. / 67N
Mating Durability for 200 Reconnects Insertion Loss Change	<.05 dB	<.03 dB
Temperature Stability (-40°C to +75°C) Insertion Loss Change	<.15 dB	<.15 dB
Tip Material	Composite	Composite



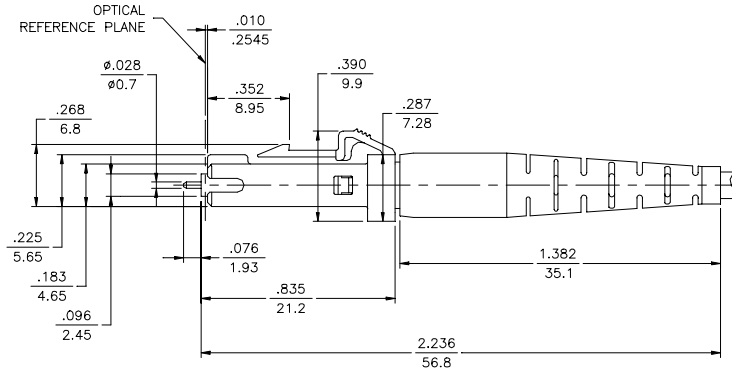
MT-RJ Connectors and Adapters

[查询"86003-3000"供应商](#)

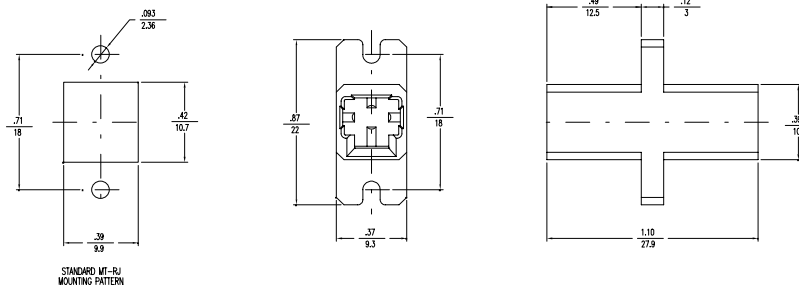


Mechanical Dimensions

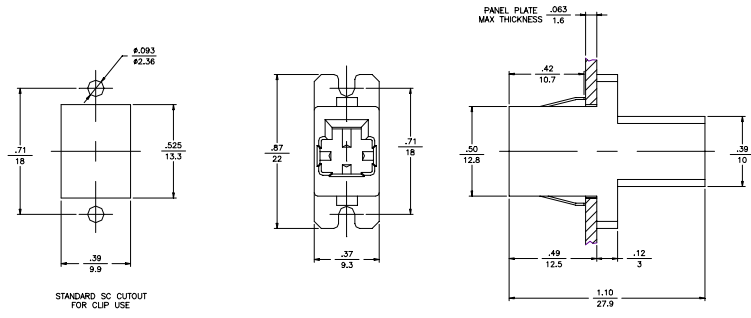
MT-RJ Connector



MT-RJ Adapter for MT-RJ Cut-Out



MT-RJ Adapter for SC Cut-Out



All dimensions in $\frac{\text{INCHES}}{\text{mm}}$

Standard Part Numbers

Order Number	Description
86002-3000	MT-RJ connector, MM, male, beige boot
86002-3400	MT-RJ connector, MM, male, 90° beige boot
86002-3030	MT-RJ connector, MM, male, black boot
86002-3430	MT-RJ connector, MM, male, 90° black boot
86003-3000	MT-RJ connector, MM, female, beige boot
86003-3400	MT-RJ connector, MM, female, 90° beige boot
86003-3030	MT-RJ connector, MM, female, black boot
86003-3430	MT-RJ connector, MM, female, 90° black boot
86002-5000	MT-RJ connector, SM, male, blue boot
86002-5400	MT-RJ connector, SM, male, 90° blue boot
86003-5000	MT-RJ connector, SM, female, blue boot
86003-5400	MT-RJ connector, SM, female, 90° blue boot
86102-0000	MT-RJ adapter, standard MT-RJ cut-out
86102-0100	MT-RJ adapter, simplex SC cut-out with clip
86702-0000	MT-RJ tool kit (includes consumables)
86800-3650	MT-RJ adapter, SixPaxs™