

FUJITSU MICROELECTRONICS 97 DE 3749762 0004900 6 DT-52-33

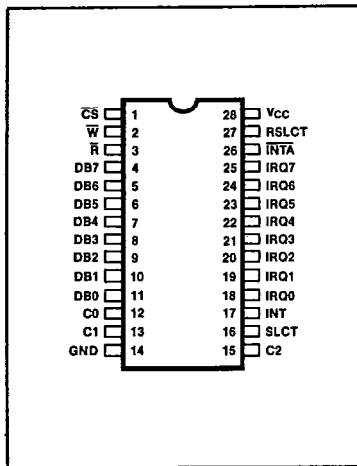


April 1986

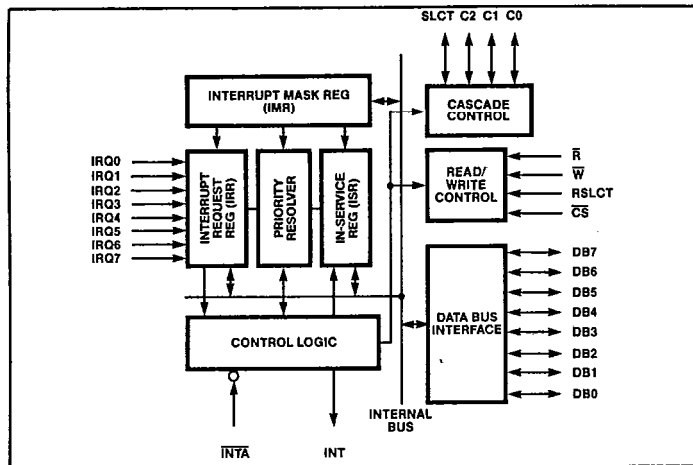
DESCRIPTION

The Fujitsu MB89259A Interrupt Controller is capable of prioritizing eight interrupt inputs and, in a cascade configuration, up to 64 interrupts can be handled without excessive delay. Each interrupt input is identified by a programmed vector that corresponds to the active input. The user can program the device for edge or level triggering to activate the interrupt. The MB89259A is fabricated in CMOS and is housed in a 28-pin plastic DIP. The device is functionally compatible with the Fujitsu MBL8259A NMOS device and the Intel 8259A NMOS device.

PIN CONFIGURATION



BLOCK DIAGRAM



This device contains circuitry to protect the inputs against damage due to high static voltages or electric fields. However, it is advised that normal precautions be taken to avoid application of any voltage higher than maximum rated voltages to this high impedance circuit.