

LTR	DESCRIPTION	DATE (YR-MO-DA)	APPROVED
A	Technical and editorial changes throughout. Add RHA requirements. - CS	97-11-05	Monica L. Poelking

REV																				
SHEET																				
REV	A	A	A	A	A	A	A	A												
SHEET	15	16	17	18	19	20	21	22												
REV STATUS OF SHEETS	REV			A	A	A	A	A	A	A	A	A	A	A	A	A	A	A	A	
	SHEET			1	2	3	4	5	6	7	8	9	10	11	12	13	14			
PMIC N/A	PREPARED BY Larry T. Gauder								DEFENSE SUPPLY CENTER COLUMBUS COLUMBUS, OHIO 43216											
STANDARD MICROCIRCUIT DRAWING	CHECKED BY Thomas J. Ricciuti																			
	APPROVED BY Monica L. Poelking								MICROCIRCUIT, DIGITAL, CMOS, HEX INVERTER WITH OPEN DRAIN OUTPUTS, MONOLITHIC SILICON											
	DRAWING APPROVAL DATE 93-06-03																			
	AMSC N/A								SIZE A	CAGE CODE 67268	5962-90590									
								SHEET 1 OF 22												

DSCC FORM 2233
APR 97

5962-E307-97

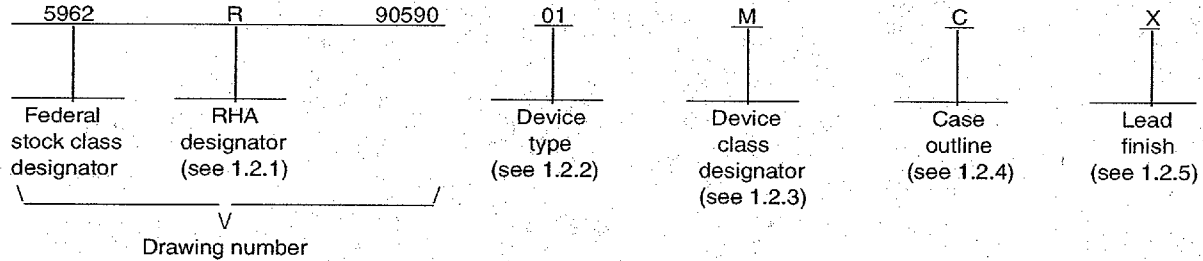
DISTRIBUTION STATEMENT A. Approved for public release; distribution is unlimited.

9004708 0032322 4T4

1. SCOPE

1.1 Scope. This drawing documents two product assurance class levels consisting of high reliability (device classes B, Q and M), and space application (device classes S and V). A choice of case outlines and lead finishes are available and are reflected in the Part or Identifying Number (PIN). When available, a choice of Radiation Hardness Assurance (RHA) levels are reflected in the PIN

1.2 PIN. The PIN is as shown in the following example:



1.2.1 RHA designator. Device classes Q and V RHA marked devices meet the MIL-PRF-38535 specified RHA levels and are marked with the appropriate RHA designator. Device classes M, B, and S RHA marked devices meet the MIL-PRF-38535, appendix A specified RHA levels and are marked with the appropriate RHA designator. A dash (-) indicates a non-RHA device.

1.2.2 Device type(s). The device type(s) identify the circuit function as follows:

<u>Device type</u>	<u>Generic number</u>	<u>Circuit function</u>
01	54AC05	Hex inverter with open drain outputs

1.2.3 Device class designator. The device class designator is a single letter identifying the product assurance level as follows:

<u>Device class</u>	<u>Device requirements documentation</u>
M	Vendor self-certification to the requirements for MIL-STD-883 compliant, non-JAN class level B microcircuits in accordance with MIL-PRF-38535, appendix A
B or S	Certification and qualification to MIL-PRF-38535, appendix A
Q or V	Certification and qualification to MIL-PRF-38535

1.2.4 Case outline(s). The case outline(s) are as designated in MIL-STD-1835 and as follows:

<u>Outline letter</u>	<u>Descriptive designator</u>	<u>Terminals</u>	<u>Package style</u>
C	GDIP1-T14 or CDIP2-T14	14	Dual-in-line
D	GDFP1-F14 or CDFP2-F14	14	Flat
2	CQCC1-N20 or CQCC2-N20	20	Leadless-chip-carrier

1.2.5 Lead finish. The lead finish is as specified in MIL-PRF-38535 for device classes Q, and V or MIL-PRF-38535, appendix A for device classes M, B, and S.

STANDARD MICROCIRCUIT DRAWING DEFENSE SUPPLY CENTER COLUMBUS COLUMBUS, OHIO 43216-5000	SIZE A		5962-90590
		REVISION LEVEL A	SHEET 2

DSCC FORM 2234
APR 97

9004708 0032323 330

Supply voltage range (V_{CC}).....	-0.5 V dc to +6.0 V dc
DC input voltage range (V_{IN})	-0.5 V dc to $V_{CC} + 0.5$ V dc
DC output voltage range (V_{OUT})	-0.5 V dc to $V_{CC} + 0.5$ V dc
DC input diode current (I_{IK}) ($V_{IN} = -0.5$ V to $V_{CC} + 0.5$ V)	± 20 mA
DC output diode current (I_{OK}) ($V_{OUT} = -0.5$ V to $V_{CC} + 0.5$ V).....	± 20 mA
DC output current (I_{OUT}) per output pin.....	+50 mA
DC V_{CC} or GND current (I_{CC} , I_{GND}) per pin.....	± 300 mA
Storage temperature range (T_{STG}).....	-65°C to +150°C
Maximum power dissipation (PD).....	500 mW
Lead temperature (soldering, 10 seconds)	+300°C
Thermal resistance, junction-to-case (θ_{JC})	See MIL-M-1835
Junction temperature (T_J).....	+175°C
Case operating temperature (T_C)	-55°C to +125°C

1.4 Recommended operating conditions. 1/ 2/ 3/ 4/ 5/

Supply voltage range (V_{CC}).....	+3.0 V dc to +5.5 V dc
Input voltage range (V_{IN})	+0.0 V dc to V_{CC}
Output voltage range (V_{OUT}).....	+0.0 V dc to V_{CC}
Maximum low level input voltage (V_{IL}).....	0.90 V dc at $V_{CC} = 3.0$ V dc 1.35 V dc at $V_{CC} = 4.5$ V dc 1.65 V dc at $V_{CC} = 5.5$ V dc
Minimum high level input voltage (V_{IH})	2.10 V dc at $V_{CC} = 3.0$ V dc 3.15 V dc at $V_{CC} = 4.5$ V dc 3.85 V dc at $V_{CC} = 5.5$ V dc
Case operating temperature range (T_C).....	-55°C to +125°C
Input edge rate ($\Delta V/\Delta t$) minimum: (V_{IN} from 30% to 70% of V_{CC})	125 mV/ns
Maximum low level output current (I_{OL})	24 mA at $V_{CC} = 3.0$ V and 3.6 V dc 24 mA at $V_{CC} = 4.5$ V and 5.5 V dc

1.5 Digital logic testing for device classes Q, and V.

Fault coverage measurement of manufacturing logic tests (MIL-STD-883, test method 5012)..... XX percent 6/

- 1/ Stresses above the absolute maximum rating may cause permanent damage to the device. Extended operation at the maximum levels may degrade performance and affect reliability. The maximum junction temperature may be exceeded for allowable short duration burn-in screening conditions in accordance with method 5004 of MIL-STD-883.
- 2/ Unless otherwise noted, all voltages are referenced to GND.
- 3/ The limits for the parameters specified herein shall apply over the full specified V_{CC} range and case temperature range of -55°C to +125°C.
- 4/ Operation from 2.0 V dc to 3.0 V dc is provided for compatibility with data retention and battery backup systems. Data retention implies no input transitions and no stored data loss with the following conditions: $V_{IH} \geq 70$ percent of V_{CC} , $V_{IL} \leq 30$ percent of V_{CC} , $V_{OH} \geq 70$ percent of V_{CC} at -20 μ A, $V_{OL} \leq 30$ percent of V_{CC} at 20 μ A
- 5/ The minimum value for the output pull-up resistors are 229 Ω at $V_{CC} = 5.5$ V, and 300 Ω at $V_{CC} = 3.6$ V. The minimum values shall apply over the ambient temperature range of -55°C to +125°C and shall include the negative tolerance values of the pull-up resistors used.
- 6/ Values will be added when they become available from the qualified source.

STANDARD MICROCIRCUIT DRAWING DEFENSE SUPPLY CENTER COLUMBUS COLUMBUS, OHIO 43216-5000	SIZE A		5962-90590
		REVISION LEVEL A	SHEET 3

DSCC FORM 2234
APR 97

9004708 0032324 277

2.1 Government specification, standards, and handbooks. The following specification, standards, and handbooks form a part of this drawing to the extent specified herein. Unless otherwise specified, the issues of these documents are those listed in the issue of the Department of Defense Index of Specifications and Standards (DoDISS) and supplement thereto, cited in the solicitation.

SPECIFICATION

DEPARTMENT OF DEFENSE

MIL-PRF-38535 - Integrated Circuits, Manufacturing, General Specification for.

STANDARDS

DEPARTMENT OF DEFENSE

MIL-STD-883 - Test Method Standard Microcircuits.
 MIL-STD-973 - Configuration Management.
 MIL-STD-1835 - Interface Standard For Microcircuit Case Outlines.

HANDBOOKS

DEPARTMENT OF DEFENSE

MIL-HDBK-103 - List of Standard Microcircuit Drawings (SMD's).
 MIL-HDBK-780 - Standard Microcircuit Drawings.

(Unless otherwise indicated, copies of the specification, standards, and handbooks are available from the Standardization Document Order Desk, 700 Robbins Avenue, Building 4D, Philadelphia, PA 19111-5094.)

2.2 Non-Government publications. The following document(s) form a part of this document to the extent specified herein. Unless otherwise specified, the issues of the documents which are DOD adopted are those listed in the issue of the DODISS cited in the solicitation. Unless otherwise specified, the issues of documents not listed in the DODISS are the issues of the documents cited in the solicitation.

ELECTRONIC INDUSTRIES ASSOCIATION (EIA)

JEDEC Standard No. 17 - A Standardized Test Procedure for the Characterization of the LATCH-UP in CMOS Integrated Circuits.

JEDEC Standard No. 20 - Standardized for Description of 54/74ACXXXX and 54/74ACTXXXX Advanced High-Speed CMOS Devices.

(Applications for copies should be addressed to the Electronics Industries Association, 2001 Eye Street, NW, Washington, DC 20006.)

(Non-Government standards and other publications are normally available from the organizations that prepare or distribute the documents. These documents may also be available in or through libraries or other informational services.)

2.3 Order of precedence. In the event of a conflict between the text of this drawing and the references cited herein, the text of this drawing takes precedence. Nothing in this document, however, supersedes applicable laws and regulations unless a specific exemption has been obtained.

STANDARD MICROCIRCUIT DRAWING DEFENSE SUPPLY CENTER COLUMBUS COLUMBUS, OHIO 43216-5000	SIZE A		5962-90590
		REVISION LEVEL A	SHEET 4

DSCC FORM 2234
 APR 97

9004708 0032325 103

[查询"5962-9059001M2A"供应商](#)

3. REQUIREMENTS

3.1 Item requirements. The individual item requirements for device classes Q, and V shall be in accordance with MIL-PRF-38535 and as specified herein or as modified in the device manufacturer's Quality Management (QM) plan. The modification in the QM plan shall not affect the form, fit, or function as described herein. The individual item requirements for device classes M, B, and S shall be in accordance with MIL-PRF-38535, appendix A and as specified herein.

3.2 Design, construction, and physical dimensions. The design, construction, and physical dimensions shall be as specified in MIL-PRF-38535 and herein for device classes Q, and V or MIL-PRF-38535, appendix A and herein for device classes M, B, and S.

3.2.1 Case outline(s). The case outline(s) shall be in accordance with 1.2.4 herein.

3.2.2 Terminal connections. The terminal connections shall be as specified on figure 1.

3.2.3 Truth table(s). The truth table(s) shall be as specified on figure 2.

3.2.4 Block or logic diagram(s). The block or logic diagram(s) shall be as specified on figure 3.

3.2.5 Ground bounce waveforms and test circuit. The ground bounce waveforms and test circuit shall be as specified on figure 4.

3.2.6 Switching waveforms and test circuit. The switching waveforms and test circuit shall be as specified on figure 5.

3.2.7 Schematic circuits. The schematic circuits shall be submitted to the preparing activity prior to the inclusion of a manufacturer's device in this drawing and shall be submitted to the qualifying activity as a prerequisite for qualification for device classes B and S. All qualified manufacturer's schematics shall be maintained and available upon request.

3.2.8 Radiation exposure circuit. The radiation exposure circuit shall be as specified when available.

3.3 Electrical performance characteristics and postirradiation parameter limits. Unless otherwise specified herein, the electrical performance characteristics and postirradiation parameter limits are as specified in table I and shall apply over the full case operating temperature range. Test conditions for these specified characteristics and limits are as specified in table I. For device classes B and S, a pin-for-pin conditions and testing sequence for table I parameters shall be maintained and available upon request from the qualifying activity on qualified devices.

3.4 Electrical test requirements. The electrical test requirements shall be the subgroups specified in table II. The electrical tests for each subgroup are defined in table I.

3.5 Marking. The part shall be marked with the PIN listed in 1.2 herein. In addition, the manufacturer's PIN may also be marked as listed in MIL-HDBK-103. For packages where marking of the entire SMD PIN number is not feasible due to space limitations, the manufacturer has the option of not marking the "5962-" on the device. For RHA product using this option, the RHA designator shall still be marked. Marking for device classes Q, and V shall be in accordance with MIL-PRF-38535. Marking for device classes M, B, and S shall be in accordance with MIL-PRF-38535, appendix A.

3.5.1 Certification/compliance mark. The certification mark for device classes Q, V, B and S shall be a "QML" or "Q" as required in MIL-PRF-38535. The compliance mark for device class M shall be a "C" as required in MIL-PRF-38535, appendix A.

3.5.2 Correctness of indexing and marking for device classes B and S. For device classes B and S, all devices shall be subjected to the final electrical tests specified in table II after PIN marking (marked in accordance with MIL-PRF-38535, appendix A) to verify that they are correctly indexed and identified by PIN. Optionally, an approved electrical test may be devised especially for this requirement.

3.6 Certificate of compliance. For device classes Q, and V, a certificate of compliance shall be required from a QML-38535 listed manufacturer in order to supply to the requirements of this drawing (see 6.6.1 herein). For device classes M, B and S a certificate of compliance shall be required from a manufacturer in order to be listed as an approved source of supply in MIL-HDBK-103 (see 6.6.2 herein). The certificate of compliance submitted to DSCC-VA prior to listing as an approved source of supply for this drawing shall affirm that the manufacturer's product meets, for device classes Q, and V, the requirements of MIL-PRF-38535 and herein or for device class M, the requirements of MIL-PRF-38535, appendix A and herein.

STANDARD MICROCIRCUIT DRAWING DEFENSE SUPPLY CENTER COLUMBUS COLUMBUS, OHIO 43216-5000	SIZE A		5962-90590
		REVISION LEVEL A	SHEET 5

DSCC FORM 2234
APR 97

■ 9004708 0032326 04T ■

查询"5962-9059001M2A"供应商

~~3.7 Certificate of conformance.~~ A certificate of conformance as required for device classes Q, and V in MIL-PRF-38535 or for device classes M, B, and S in MIL-PRF-38535, appendix A shall be provided with each lot of microcircuits delivered to this drawing.

3.8 Notification of change for device classes M, B and S: For device classes M, B and S, notification to DSCC-VA of change of product (see 6.2 herein) involving devices acquired to this drawing is required for any change as defined in MIL-STD-973.

3.9 Verification and review for device class M. For device class M, DSCC, DSCC's agent, and the acquiring activity retain the option to review the manufacturer's facility and applicable required documentation. Offshore documentation shall be made available onshore at the option of the reviewer.

3.10 Microcircuit group assignment for device classes M, B, and S: Device classes M, B, and S devices covered by this drawing shall be in microcircuit group number 36 (see MIL-PRF-38535, appendix A).

3.11 Serialization for device class S. All device class S devices shall be serialized in accordance with MIL-PRF-38535, appendix A.

3.12 Substitution. Substitution data shall be as indicated in the appendix herein.

STANDARD MICROCIRCUIT DRAWING DEFENSE SUPPLY CENTER COLUMBUS COLUMBUS, OHIO 43216-5000	SIZE A		5962-90590
		REVISION LEVEL A	SHEET 6

DSCC FORM 2234
APR 97

9004708 0032327 T&B

TABLE I. Electrical performance characteristics.

Test and MIL-STD-883 test method 1/	Symbol	Test conditions 2/ -55°C ≤ T _C ≤ +125°C 3.0 V ≤ V _{CC} ≤ 5.5 V unless otherwise specified	Device type 3/ and device class	V _{CC}	Group A subgroups	Limits 2/		Unit
						Min	Max	
Low level output voltage 3007	V _{OL1} 4/	For all inputs affecting output under test V _{IN} = V _{IH} or V _{IL} V _{IH} = 2.10 V V _{IL} = 0.90 V For all other inputs V _{IN} = V _{CC} or GND I _{OL} = 50 μA	All All	3.0 V	1, 2, 3		0.1	V
	V _{OL2} 4/	For all inputs affecting output under test V _{IN} = V _{IH} or V _{IL} V _{IH} = 3.15 V V _{IL} = 1.35 V For all other inputs V _{IN} = V _{CC} or GND I _{OL} = 50 μA	All All	4.5 V	1, 2, 3		0.1	
	V _{OL3}	For all inputs affecting output under test V _{IN} = V _{IH} or V _{IL} V _{IH} = 3.85 V V _{IL} = 1.65 V For all other inputs V _{IN} = V _{CC} or GND I _{OL} = 50 μA	All All	5.5 V	1, 2, 3		0.1	
			M, D, L, R			01 B, S, Q, V		1
	V _{OL4} 4/	For all inputs affecting output under test V _{IN} = V _{IH} or V _{IL} V _{IH} = 2.10 V V _{IL} = 0.90 V For all other inputs V _{IN} = V _{CC} or GND I _{OL} = 12 mA	All B, S, Q, V	3.0 V	1, 3		0.4	
						2		0.5
			All M			1		0.4
						2, 3		0.5
	V _{OL5}	For all inputs affecting output under test V _{IN} = V _{IH} or V _{IL} V _{IH} = 3.15 V V _{IL} = 1.35 V For all other inputs V _{IN} = V _{CC} or GND I _{OL} = 24 mA	All B, S, Q, V	4.5 V	1, 3		0.4	
						2		0.5
			All M			1		0.4
						2, 3		0.5
			M, D, L, R			01 B, S, Q, V		1

See footnotes at end of table.

STANDARD MICROCIRCUIT DRAWING DEFENSE SUPPLY CENTER COLUMBUS COLUMBUS, OHIO 43216-5000	SIZE A		5962-90590
		REVISION LEVEL A	SHEET 7

DSCC FORM 2234
APR 97

9004708 0032328 912

TABLE 1. Electrical performance characteristics - Continued.

Test and MIL-STD-883 test method 1/	Symbol	Test conditions 2/ -55°C ≤ T _c ≤ +125°C 3.0 V ≤ V _{CC} ≤ 5.5 V unless otherwise specified	Device type 3/ and device class	V _{CC}	Group A subgroups	Limits 2/		Unit
						Min	Max	
Low level output voltage 3007	VOL6 4/	For all inputs affecting output under test V _{IN} = V _{IH} or V _{IL} V _{IH} = 3.85 V V _{IL} = 1.65 V For all other inputs V _{IN} = V _{CC} or GND I _{OL} = 24 mA	All B, S, Q, V	5.5 V	1, 3		0.4	V
							2	
			All M		1	0.4		
					2, 3	0.5		
VOL7 5/	For all inputs affecting output under test V _{IN} = V _{IH} or V _{IL} V _{IH} = 3.85 V V _{IL} = 1.65 V For all other inputs V _{IN} = V _{CC} or GND I _{OL} = 50 mA	All All	5.5 V	1, 2, 3		1.65		
					M, D, L, R	01 B, S, Q, V	1	
Positive input clamp voltage 3022	Vic+	V _{CC} = GND For input under test I _{IN} = 1 mA	All B, S, Q, V	5.5 V	1	0.4	1.5	V
						M, D, L, R	01 B, S, Q, V	
Negative input clamp voltage 3022	Vic-	V _{CC} = Open For input under test I _{IN} = -1 mA	All B, S, Q, V	5.5 V	1	-0.4	-1.5	V
						M, D, L, R	01 B, S, Q, V	
Input current high 3010	I _{IH}	For input under test V _{IN} = V _{CC} For all other inputs V _{IN} = V _{CC} or GND	All B, S, Q, V	5.5 V	1		0.1	μA
							2	
			All M		1	0.1		
					2, 3	1.0		
Input current low 3009	I _{IL}	For input under test V _{IN} = GND For all other inputs V _{IN} = V _{CC} or GND	All B, S, Q, V	5.5 V	1		-0.1	μA
							2	
			All M		1	-0.1		
					2, 3	-1.0		
	M, D, L, R	01 B, S, Q, V	1	-0.1				

See footnotes at end of table.

STANDARD MICROCIRCUIT DRAWING DEFENSE SUPPLY CENTER COLUMBUS COLUMBUS, OHIO 43216-5000	SIZE A		5962-90590
		REVISION LEVEL A	SHEET 8

DSCC FORM 2234
APR 97

9004708 0032329 859

TABLE I. Electrical performance characteristics - Continued.

Test and MIL-STD-883 test method 1/	Symbol	Test conditions 2/ -55°C ≤ T _c ≤ +125°C 3.0 V ≤ V _{cc} ≤ 5.5 V unless otherwise specified	Device type 3/ and device class	V _{cc}	Group A subgroups	Limits 2/		Unit					
						Min	Max						
Output leakage current high 3021	I _{OH}	For all inputs affecting output under test V _{IN} = 1.65 V V _{OUT} = 5.5 V	All B, S, Q, V	5.5 V	1		0.5	μA					
									10.0				
			All M		1		0.5						
						2, 3			10.0				
			M D L R		01 B, S, Q, V		1			15.0			
									50.0				
									100.0				
									100.0				
			Quiescent supply current, output high 3005		I _{CC}	For all inputs V _{IN} = V _{CC} or GND	All B, S, Q, V		5.5 V	1		1.0	μA
All M	1			4.0									
		2, 3					80.0						
M D L R	01 B, S, Q, V			1				50.0					
							100.0						
							700.0						
							700.0						
Quiescent supply current, output low 3005	I _{CC}	For all inputs V _{IN} = V _{CC} or GND		All B, S, Q, V			5.5 V	1			1.0	μA	
			All M	1		4.0							
					2, 3			80.0					
			M D L R	01 B, S, Q, V		1			50.0				
								100.0					
								700.0					
								700.0					
			Input capacitance 3012	C _{IN}	See 4.4.1c T _c = +25°C	All All		GND	4		10		pF
			Power dissipation capacitance	C _{PD} 6/	See 4.4.1c T _c = +25°C	All All		5.0 V	4		50		pF
Low level ground bounce noise	V _G _{BL} 7/	V _{LD} = 2.5 V, I _{OL} = +24 mA (see figure 4)	All B, S, Q, V	4.5 V	4		1000	mV					

See footnotes at end of table.

STANDARD MICROCIRCUIT DRAWING DEFENSE SUPPLY CENTER COLUMBUS COLUMBUS, OHIO 43216-5000	SIZE A		5962-90590
		REVISION LEVEL A	SHEET 9

TABLE 1. Electrical performance characteristics - Continued.

Test and MIL-STD-883 test method 1/	Symbol	Test conditions 2/ -55°C ≤ T _c ≤ +125°C 3.0 V ≤ V _{CC} ≤ 5.5 V unless otherwise specified	Device type 3/ and device class	V _{CC}	Group A subgroups	Limits 2/		Unit
						Min	Max	
Latch-up input/output over-voltage	I _{CC} (O/V1) 8/	t _w ≥ 100 μs t _{cool} ≥ t _w 5 μs ≤ t _r ≤ 5 ms 5 μs ≤ t _f ≤ 5 ms V _{test} = 6.0 V V _{CCQ} = 5.5 V V _{over} = 10.5 V	All B, S, Q, V	5.5 V	2		200	mA
Latch-up input/output positive over-current	I _{CC} (O/I1+) 8/	t _w ≥ 100 μs t _{cool} ≥ t _w 5 μs ≤ t _r ≤ 5 ms 5 μs ≤ t _f ≤ 5 ms V _{test} = 6.0 V V _{CCQ} = 5.5 V I _{trigger} = +120 mA	All B, S, Q, V	5.5 V	2		200	mA
Latch-up input/output negative over-current	I _{CC} (O/I1-) 8/	t _w ≥ 100 μs t _{cool} ≥ t _w 5 μs ≤ t _r ≤ 5 ms 5 μs ≤ t _f ≤ 5 ms V _{test} = 6.0 V V _{CCQ} = 5.5 V I _{trigger} = -120 mA	All B, S, Q, V	5.5 V	2		200	mA
Latch-up supply over-voltage	I _{CC} (O/V2) 8/	t _w ≥ 100 μs t _{cool} ≥ t _w 5 μs ≤ t _r ≤ 5 ms 5 μs ≤ t _f ≤ 5 ms V _{test} = 6.0 V V _{CCQ} = 5.5 V V _{over} = 9.0 V	All B, S, Q, V	5.5 V	2		100	mA
Truth table test output voltage 3014	9/	V _{IL} = 0.45 V V _{IH} = 2.50 V Verify output V _O	All All	3.0 V	7	L	H	
		V _{IL} = 0.60 V V _{IH} = 3.70 V Verify output V _O	All All	4.5 V	7, 8	L	H	
		M, D, L, R	01 B, S, Q, V	3.0 V	7	L	H	

See footnotes at end of table.

STANDARD MICROCIRCUIT DRAWING DEFENSE SUPPLY CENTER COLUMBUS COLUMBUS, OHIO 43216-5000	SIZE A		5962-90590
		REVISION LEVEL A	SHEET 10

DSCC FORM 2234
APR 97

9004708 0032331 407

TABLE I. Electrical performance characteristics - Continued.

Test and MIL-STD-883 test method 1/	Symbol	Test conditions 2/ -55°C ≤ T _C ≤ +125°C 3.0 V ≤ V _{CC} ≤ 5.5 V unless otherwise specified	Device type 3/ and device class	V _{CC}	Group A subgroups	Limits 2/		Unit		
						Min	Max			
Propagation delay time, output disable An to On 3003	t _{PLH} 10/ 11/	C _L = 50 pF minimum, R _L = 500Ω, See figure 5	All B, S, Q, V	3.0 V	9, 11	1.0	15.0	ns		
						10	1.0		15.5	
					All M	9	1.0		15.0	
							10, 11		1.0	15.5
					M, D, L, R	01 B, S, Q, V	9		1.0	15.0
			All B, S, Q, V	4.5 V	9, 11	1.0	14.5			
						10	1.0	15.5		
					All M	9	1.0	14.5		
							10, 11	1.0	15.5	
					M, D, L, R	01 B, S, Q, V	9	1.0	14.5	
Propagation delay time, output enable An to On 3003	t _{PHL} , 10/ 11/	C _L = 50 pF minimum, R _L = 500Ω, See figure 5	All B, S, Q, V	3.0 V	9, 11	1.0	7.5	ns		
						10	1.0		8.0	
					All M	9	1.0		7.5	
							10, 11		1.0	8.0
					M, D, L, R	01 B, S, Q, V	9		1.0	7.5
			All B, S, Q, V	4.5 V	9, 11	1.0	5.5			
						10	1.0	6.0		
					All M	9	1.0	5.5		
							10, 11	1.0	6.0	
					M, D, L, R	01 B, S, Q, V	9	1.0	5.5	

1/For tests not listed in MIL-STD-883 [e.g. I_{CC}(O/V1)], utilize the general test procedure under the conditions listed herein. All inputs and outputs shall be tested, as applicable, to the tests in table 1 herein.

STANDARD MICROCIRCUIT DRAWING DEFENSE SUPPLY CENTER COLUMBUS COLUMBUS, OHIO 43216-5000	SIZE A		5962-90590
		REVISION LEVEL A	SHEET 11

TABLE I. Electrical performance characteristics - Continued.

- 2/ Each input/output, as applicable shall be tested at the specified temperature for the specified limits. Output terminals not designated shall be high level logic, low level logic, or open, except as follows:
 - a. V_{IC} (pos) tests, the GND terminal can be open. $T_C = +25^\circ\text{C}$.
 - b. V_{IC} (neg) tests, the V_{CC} terminal shall be open. $T_C = +25^\circ\text{C}$.
 - c. All I_{CC} tests, the output terminal shall be open. When performing these tests, the current meter shall be placed in the circuit such that all current flows through the meter.

Additional detailed information on qualified devices (i.e., pin for pin conditions and testing sequence) is available from the qualifying activity (DSCC-VQC) upon request. For negative and positive voltage and current values: The sign designates the potential difference in reference to GND and the direction of current flow respectively; and the absolute value of the magnitude, not the sign, is relative to the minimum and maximum limits, as applicable, listed herein.
- 3/ The word "All" in the device type and device class column, means limits for all device types and classes.
- 4/ For device classes B and S, this test is guaranteed, if not tested, to the limits specified in table I.
- 5/ Transmission driving tests are performed at $V_{CC} = 5.5\text{ V}$ dc with a 2 ms duration maximum. This test may be performed using $V_{IN} = V_{CC}$ or GND. When $V_{IN} = V_{CC}$ or GND, the test is guaranteed for $V_{IN} = V_{IH}$ or V_{IL} . For device class M, subgroup 1 testing shall be guaranteed if not tested to the limits specified in table I. For radiation hardness assured devices, subgroup 1 tests shall be performed.
- 6/ Power dissipation capacitance (C_{PD}) determines the no load dynamic power consumption, $P_D = (C_{PD} + C_L)(V_{CC} \times V_{CC})f + (I_{CC} \times V_{CC})$. The dynamic current consumption, $I_S = (C_{PD} + C_L)V_{CC}f + I_{CC}$. For both P_D and I_S : f is the frequency of the input signal.
- 7/ This test is for qualification only. Ground bounce tests are performed on a nonswitching (quiescent) output and are used to measure the magnitude of induced noise caused by other simultaneously switching outputs. The test is performed on a low noise bench test fixture with all outputs fully dc loaded (I_{OL} maximum = -24 mA) and 50 pF of load capacitance (see figure 4). The loads must be located as close as possible to the device output. Inputs are then conditioned with 1 MHz pulse ($t_r = t_f = 3.5 \pm 1.5\text{ ns}$) switching simultaneously and in phase such that one output is forced low and all others (possible) are switched. The low level ground bounce noise is measured at the quiet output using a F.E.T. oscilloscope probe with at least 1 M Ω impedance. Measurement is taken from the peak of the largest positive pulse with respect to the nominal low level output voltage (figure 4). This procedure is repeated such that all outputs are tested at a high and low level with a maximum number of outputs switching.
- 8/ See JEDEC Standard No. 17 for electrically induced latch-up test methods and procedures. The values listed for $V_{trigger}$, $t_{trigger}$, and V_{over} , are to be accurate within ± 5 percent.
- 9/ Tests shall be performed in sequence, attributes data only. Functional tests shall include the truth table and other logic patterns used for fault detection. Functional tests shall be performed in sequence as approved by the qualifying activity on qualified devices. $H \geq 2.5\text{ V}$, $L < 2.5\text{ V}$; high inputs = 3.7 V and low inputs = 0.6 V for $V_{CC} = 4.5\text{ V}$ and $H \geq 1.5\text{ V}$, $L < 1.5\text{ V}$; high inputs = 2.5 V and low inputs = 0.45 V for $V_{CC} = 3.0\text{ V}$. The input voltage levels have the allowable tolerances in accordance with MIL-STD-883 already incorporated. For device classes B and S, functional tests at $V_{CC} = 3.0\text{ V}$ are guaranteed, if not tested.
- 10/ Device classes B and S are tested at $V_{CC} = 3.0\text{ V}$ and $V_{CC} = 4.5\text{ V}$ at $T_C = +125^\circ\text{C}$ for sample testing and at $V_{CC} = 3.0\text{ V}$ and $V_{CC} = 4.5\text{ V}$ at $T_C = +25^\circ\text{C}$ for screening. Other voltages of V_{CC} and temperatures are guaranteed, if not tested (see 4.4.1d).
- 11/ AC limits at $V_{CC} = 5.5\text{ V}$ are equal to the limits at $V_{CC} = 4.5\text{ V}$ and guaranteed by testing at $V_{CC} = 4.5\text{ V}$. Minimum ac limits for $V_{CC} = 5.5\text{ V}$ are 1.0 ns and guaranteed by guardbanding the $V_{CC} = 4.5\text{ V}$ minimum limits to 1.5 ns. For propagation delay tests, all paths must be tested.

STANDARD MICROCIRCUIT DRAWING DEFENSE SUPPLY CENTER COLUMBUS COLUMBUS, OHIO 43216-5000	SIZE A		5962-90590
		REVISION LEVEL A	SHEET 12

DSCC FORM 2234
APR 97

9004708 0032333 2&T

Device type 01		
Case outlines	C and D	2
Terminal number	Terminal symbol	
1	A0	NC
2	O0	A0
3	A1	O0
4	O1	A1
5	A2	NC
6	O2	O1
7	GND	NC
8	O5	A2
9	A5	O2
10	O4	GND
11	A4	NC
12	O3	O5
13	A3	A5
14	Vcc	O4
15	---	NC
16	---	A4
17	---	NC
18	---	O3
19	---	A3
20	---	Vcc

Terminal Description	
Terminal symbol	Description
An (n = 0 to 5)	Inputs
On (n = 0 to 5)	Open drain outputs

FIGURE 1. Terminal connections.

STANDARD MICROCIRCUIT DRAWING DEFENSE SUPPLY CENTER COLUMBUS COLUMBUS, OHIO 43216-5000	SIZE A		5962-90590
		REVISION LEVEL A	SHEET 13

DSCC FORM 2234
APR 97

9004708 0032334 116

Device type 01	
Inputs	Outputs 1/
H	L
L	H

H = High voltage level
L = Low voltage level

1/ For functional testing, use the output load circuit specified in figure 5, or equivalent.

FIGURE 2. Truth table.

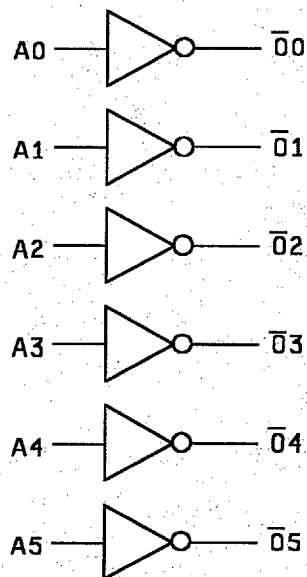
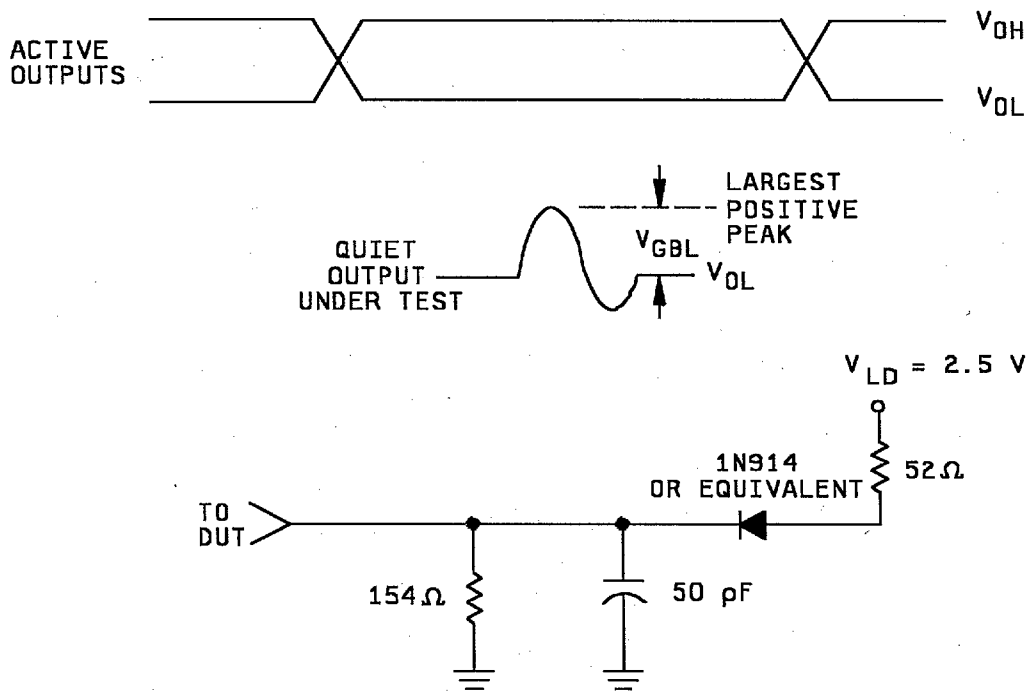


FIGURE 3. Logic diagram.

STANDARD MICROCIRCUIT DRAWING DEFENSE SUPPLY CENTER COLUMBUS COLUMBUS, OHIO 43216-5000	SIZE A		5962-90590
		REVISION LEVEL A	SHEET 14

DSCC FORM 2234
APR 97

9004708 0032335 052



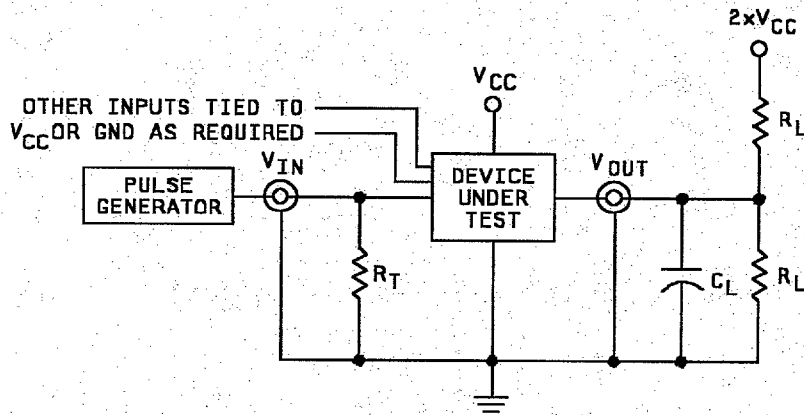
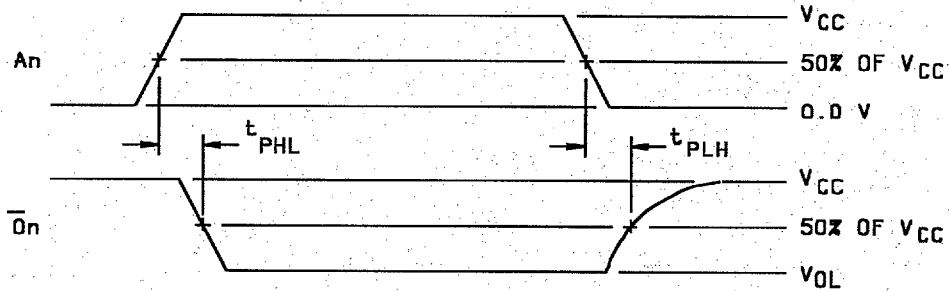
NOTE: Resistor and capacitor tolerances = ± 10 percent.

FIGURE 4. Ground bounce waveforms and test circuit.

STANDARD MICROCIRCUIT DRAWING DEFENSE SUPPLY CENTER COLUMBUS COLUMBUS, OHIO 43216-5000	SIZE A		5962-90590
		REVISION LEVEL A	SHEET 15

DSCC FORM 2234
APR 97

9004708 0032336 T99



NOTES:

1. $C_L = 50 \text{ pF}$ minimum or equivalent (includes test jig and probe capacitance).
2. $R_L = 500\Omega$ or equivalent.
3. $R_T = 50\Omega$ or equivalent.
4. Input signal from pulse generator: $V_{IN} = 0.0 \text{ V to } V_{CC}$; $PRR \leq 10 \text{ MHz}$; duty cycle = 50 percent; $t_r \leq 2.5 \text{ ns}$; $t_f \leq 2.5 \text{ ns}$; t_r and t_f shall be measured from 10% of V_{CC} to 90% of V_{CC} , and 90% of V_{CC} to 10% of V_{CC} , respectively.
5. Timing parameters shall be tested at a minimum input frequency of 1 MHz.
6. The outputs are measured one at a time with one transition per measurement.

FIGURE 5. Switching waveforms and test circuit.

STANDARD MICROCIRCUIT DRAWING DEFENSE SUPPLY CENTER COLUMBUS COLUMBUS, OHIO 43216-5000	SIZE A		5962-90590
		REVISION LEVEL A	SHEET 16

DSCC FORM 2234
APR 97

9004708 0032337 925

4.1 Sampling and inspection. For device classes Q, and V, sampling and inspection procedures shall be in accordance with MIL-PRF-38535 or as modified in the device manufacturer's Quality Management (QM) plan. The modification in the QM plan shall not affect the form, fit, or function as described herein. For device classes M, B, and S, sampling and inspection procedures shall be in accordance with MIL-PRF-38535, appendix A.

4.1.1 Burn-in and life test circuits. For device classes B and S, the burn-in and life test circuits shall be constructed so that the devices are stressed at the maximum operating conditions stated in 4.2.1a(5) or 4.2.1a(6) as applicable, or equivalent, as approved by the qualifying activity.

4.2 Screening. For device classes Q, and V, screening shall be in accordance with MIL-PRF-38535, and shall be conducted on all devices prior to qualification and technology conformance inspection. For device classes M, B, and S, screening shall be in accordance with method 5004 of MIL-STD-883, and shall be conducted on all devices prior to quality conformance inspection.

4.2.1 Additional criteria for device classes M, B, and S.

a. Burn-in test, method 1015 of MIL-STD-883.

- (1) Test condition A, B, C, or D. The test circuit shall be maintained by the manufacturer under document revision level control and shall be made available to the preparing or acquiring activity upon request. The test circuit shall specify the inputs, outputs, biases, and power dissipation, as applicable, in accordance with the intent specified in test method 1015.
- (2) $T_A = +125^\circ\text{C}$, minimum.
- (3) Delete the sequence specified in 3.1.10 through 3.1.14 of method 5004 and substitute the first 7 test requirements of table II herein.
- (4) For device class M, unless otherwise specified, the requirements for device class B in method 1015 of MIL-STD-883 shall be followed.
- (5) Static burn-in, device classes B and S, test condition A, test method 1015 of MIL-STD-883. Test duration for each static test shall be 24 hours minimum for class S devices and in accordance with table I of method 1015 for class B devices.
 - (a) For static burn-in I, all inputs shall be connected to GND. Outputs may be open or connected to $V_{CC}/2 \pm 0.5\text{ V}$. Resistors R1 are optional on both inputs and open outputs, and required on outputs connected to $V_{CC}/2 \pm 0.5\text{ V}$. $R1 = 220\Omega$ to $47\text{ k}\Omega$.
 - (b) For static burn-in II, all inputs shall be connected through the R1 resistors to V_{CC} . Outputs may be open or connected to $V_{CC}/2 \pm 0.5\text{ V}$. Resistors R1 are optional on open outputs, and required on outputs connected to $V_{CC}/2 \pm 0.5\text{ V}$. $R1 = 220\Omega$ to $47\text{ k}\Omega$.
 - (c) $V_{CC} = 5.5\text{ V} \pm 0.5\text{ V}$.
- (6) Dynamic burn-in, device classes B and S, test condition D, method 1015 of MIL-STD-883,
 - (a) Input resistors = 220Ω to $2\text{ k}\Omega \pm 20$ percent.
 - (b) Output resistors = $220\Omega \pm 20$ percent.
 - (c) $V_{CC} = 5.5\text{ V} + 0.5\text{ V}, -0.0\text{ V}$.
 - (d) Three input pins shall be connected through resistors to a clock pulse (CP1). The remaining three input pins shall be connected through resistors to a second clock pulse (CP2). Outputs shall be connected through resistors to $V_{CC}/2 \pm 0.5\text{ V}$.

STANDARD MICROCIRCUIT DRAWING DEFENSE SUPPLY CENTER COLUMBUS COLUMBUS, OHIO 43216-5000	SIZE A		5962-90590
		REVISION LEVEL A	SHEET 17

DSCC FORM 2234
 APR 97

9004708 0032338 861

(a) CP1 = CP2 = 25 kHz to 1 MHz square wave; duty cycle = 50 percent \pm 15 percent; CP2 shall be 180° out-of-phase with CP1: $V_{IH} = 4.5 \text{ V}$ to V_{CC} , $V_{IL} = 0 \text{ V} \pm 0.5 \text{ V}$; $t_r, t_f \leq 100 \text{ ns}$.

- b. Interim and final electrical test parameters shall be as specified in table II herein.
- c. For class S devices, post dynamic burn-in, or class B devices, post static burn-in, electrical parameter measurements may, at the manufacturer's option, be performed separately or included in the final electrical parameter requirements.

4.2.2 Additional criteria for device classes Q, and V.

- a. The burn-in test duration, test condition and test temperature, or approved alternatives shall be as specified in the device manufacturer's QM plan in accordance with MIL-PRF-38535. The burn-in test circuit shall be maintained under document revision level control of the device manufacturer's Technology Review Board (TRB) in accordance with MIL-PRF-38535 and shall be made available to the acquiring or preparing activity upon request. The test circuit shall specify the inputs, outputs, biases, and power dissipation, as applicable, in accordance with the intent specified in test method 1015 of MIL-STD-883.
- b. Interim and final electrical test parameters shall be as specified in table II herein.
- c. Additional screening for device class V beyond the requirements of device class Q shall be as specified in MIL-PRF-38535, appendix B.

4.2.3 Percent defective allowable (PDA).

- a. The PDA for class S devices shall be 5 percent for static burn-in and 5 percent for dynamic burn-in, based on the exact number of devices submitted to each separate burn-in.
- b. Static burn-in I and II failures shall be cumulative for determining the PDA.
- c. The PDA for class B devices shall be in accordance with MIL-PRF-38535, appendix A for static burn-in. Dynamic burn-in is not required.
- d. The PDA for class M devices shall be in accordance with MIL-PRF-38535 for static burn-in and dynamic burn-in.
- e. Those devices whose measured characteristics, after burn-in, exceed the specified delta limits or electrical parameter limits specified in table I, subgroup 1, are defective and shall be removed from the lot. The verified number of failed devices times 100 divided by the total number of devices in the lot initially submitted to burn-in shall be used to determine the percent defective for the lot and the lot shall be accepted or rejected based on the specified PDA.

4.3 Qualification inspection.

4.3.1 Qualification inspection for device classes B and S. Qualification inspection for device classes B and S shall be in accordance with MIL-PRF-38535, appendix A. Inspections to be performed shall be those specified in method 5005 of MIL-STD-883 and herein for groups A, B, C, D, and E inspections (see 4.4.1 through 4.4.5).

4.3.2 Qualification inspection for device classes Q, and V. Qualification inspection for device classes Q, and V shall be in accordance with MIL-PRF-38535. Inspections to be performed shall be those specified in MIL-PRF-38535 and herein for groups A, B, C, D, and E inspections (see 4.4.1 through 4.4.5).

4.3.3 Electrostatic discharge sensitivity (ESDS) qualification inspection. ESDS testing shall be performed in accordance with MIL-STD-883, method 3015. ESDS testing shall be measured only for initial qualification and after process or design changes which may affect ESDS classification. For device classes B, S, Q, and V only, those device types that pass ESDS testing at 2,000 volts or greater shall be considered as conforming to the requirements of this specification.

STANDARD MICROCIRCUIT DRAWING DEFENSE SUPPLY CENTER COLUMBUS COLUMBUS, OHIO 43216-5000	SIZE A		5962-90590
		REVISION LEVEL A	SHEET 18

DSCC FORM 2234
APR 97

9004708 0032339 7T8

TABLE II. Electrical test requirements.

Test requirements	Subgroups 1/ (in accordance with MIL-STD-883, method 5005, table I)			Subgroups 1/ (in accordance with MIL-PRF-38535, table III)	
	Device class M	Device 2/ class B	Device 2/ class S	Device class Q	Device class V
Interim electrical parameters, method 5004 (see 4.2)		1	1	1	1
Static burn-in I, method 1015 (see 4.2.1a)	3/	Not required	Required 4/	Not required	Required 4/
Interim electrical parameters, method 5004 (see 4.2.1b)			1 5/		1 5/
Static burn-in II, method 1015 (see 4.2.1a)	3/	Required 6/	Required 4/	Required 6/	Required 4/
Interim electrical parameters, method 5004 (see 4.2.1b)		1 2/ 5/	1 2/ 5/	1 2/ 5/	1 2/ 5/
Dynamic burn-in I, method 1015 (see 4.2.1a)	3/	Not required	Required 4/	Not required	Required 4/
Interim electrical parameters, method 5004 (see 4.2.1b)			1 5/		1 5/
Final electrical parameters, method 5004 (see 4.2)	1,2,3, 2/ 7,8,9	1,2, 2/ 6/ 7,9	1,2,7,9 2/	1,2,3, 2/ 6/ 7,8,9,10,11	1,2,3, 2/ 7,8,9,10,11
Group A test requirements method 5005 (see 4.4.1)	1,2,3,4,7, 8,9,10,11	1,2,3,4,7, 8,9,10,11	1,2,3,4,7, 8,9,10,11	1,2,3,4,7, 8,9,10,11	1,2,3,4,7, 8,9,10,11
Group B end point electrical parameters, method 5005 (see 4.4.2)			1,2,3,7, 5/ 8,9,10,11		
Group C end-point electrical parameters, method 5005 (see 4.4.3)	1,2,3	1,2 5/		1,2,3 5/	1,2,3,7 5/ 8,9,10,11
Group D end-point electrical parameters, method 5005 (see 4.4.4)	1,2,3	1,2	1,2,3	1,2,3	1,2,3
Group E end-point electrical parameters, method 5005 (see 4.4.5)	1,7,9	1,7,9	1,7,9	1,7,9	1,7,9

- 1/ Blank spaces indicate tests are not applicable.
- 2/ PDA applies to subgroup 1 (see 4.2.3). For device classes S and V, PDA applies to subgroups 1 and 7 (see 4.2.3).
- 3/ The burn-in shall meet the requirements of 4.2.1a herein.
- 4/ On all class S lots, the device manufacturer shall maintain read-and-record data (as a minimum on disk) for burn-in electrical parameters (group A, subgroup 1), in accordance with test method 5004 of MIL-STD-883. For pre-burn-in and interim electrical parameters the read-and-record requirements are for delta measurements only.
- 5/ Delta limits shall be required only on table I, subgroup 1. The delta values shall be computed with reference to the previous interim electrical parameters. The delta limits are specified in table III.
- 6/ The device manufacturer may at his option either complete subgroup 1 electrical parameter measurements, including delta measurements, within 96 hours after burn-in completion (removal of bias) or may complete subgroup 1 electrical measurements without delta measurements within 24 hours after burn-in completion (removal of bias). When the manufacturer elects to perform the subgroup 1 electrical parameter measurements without delta measurements, there is no requirement to perform the pre-burn-in electrical tests (first interim electrical parameters test in table II).

STANDARD MICROCIRCUIT DRAWING DEFENSE SUPPLY CENTER COLUMBUS COLUMBUS, OHIO 43216-5000	SIZE A		5962-90590
		REVISION LEVEL A	SHEET 19

DSCC FORM 2234
APR 97

9004708 0032340 41T

TABLE III. Delta limits at +25°C

Parameters 1/	Device types	Limits
I _{CCH} , I _{CCL}	All	±100 nA

1/ These parameters shall be recorded before and after the required burn-in and life tests to determine delta limits.

4.4 Conformance inspection. Technology conformance inspection for classes Q, and V shall be in accordance with MIL-PRF-38535 including groups A, B, C, D, and E inspections and as specified herein except where option 2 of MIL-PRF-38535 permits alternate in-line control testing. Technology conformance inspection for device classes M, B, and S shall be in accordance with MIL-PRF-38535, appendix A and as specified herein. Inspections to be performed for device classes M, B, and S shall be those specified in method 5005 of MIL-STD-883 and herein for groups A, B, C, D, and E inspections (see 4.4.1 through 4.4.5).

4.4.1 Group A inspection.

- a. Tests shall be as specified in table II herein.
- b. Latch-up and ground bounce tests are required for device classes B, S, Q, and V. These tests shall be performed only for initial qualification and after process or design changes which may affect the performance of the device. Latch-up tests shall be considered destructive. For latch-up and ground-bounce tests, test all applicable pins on five devices with zero failures.
- c. C_{IN} and C_{PD} shall be measured only for initial qualification and after process or design changes which may affect capacitance. C_{IN} shall be measured between the designated terminal and GND at a frequency of 1 MHz. C_{PD} shall be tested in accordance with the latest revision of JEDEC Standard No. 20 and table I herein. For C_{IN} and C_{PD}, test all applicable pins on five devices with zero failures.
- d. For device classes B and S, subgroups 9 and 11 tests shall be measured only for initial qualification and after process or design changes which may affect dynamic performance.
- e. For device class M, subgroups 7 and 8 tests shall be sufficient to verify the truth table. For device classes B and S, subgroups 7 and 8 tests shall be sufficient to verify the truth table as approved by the qualifying activity. For device classes Q, and V, subgroups 7 and 8 shall include verifying the functionality of the device; these tests shall have been fault graded in accordance with MIL-STD-883, test method 5012 (see 1.5 herein).

4.4.2 Group B inspection. The group B inspection end-point electrical parameters shall be as specified in table II herein. For device class S steady-state life tests, the test circuit shall be submitted to the qualifying activity.

- a. Class S steady-state life (accelerated) shall be conducted using test condition D of method 1005 of MIL-STD-883 and the circuit described in 4.2.1a6 herein, or equivalent as approved by the qualifying activity. The actual test circuit shall be submitted to the qualifying activity.
- b. End-point electrical parameters shall be as specified in table II herein. Delta limits shall apply only to subgroup 5 of group B inspections and shall consist of tests specified in table III herein.

4.4.3 Group C inspection. The group C inspection end-point electrical parameters shall be as specified in table II herein.

4.4.3.1 Additional criteria for device class M and B. Steady-state life test conditions, method 1005 of MIL-STD-883:

- a. Test condition A, B, C or D. For device class M, the test circuit shall maintained by the manufacturer under document revision level control and shall be made available to the preparing or acquiring activity upon request. For device class B, the test circuit shall be submitted to the qualifying activity. For device classes M and B, the test circuit shall specify the inputs, outputs, biases, and power dissipation; as applicable, in accordance with the intent specified in test method 1005.

STANDARD MICROCIRCUIT DRAWING DEFENSE SUPPLY CENTER COLUMBUS COLUMBUS, OHIO 43216-5000	SIZE A		5962-90590
		REVISION LEVEL A	SHEET 20

b. $T_A = +125^\circ\text{C}$, minimum.

- c. Test duration: 1,000 hours, except as permitted by method 1005 of MIL-STD-883.
- d. End-point electrical parameters shall be as specified in table II herein. Delta limits shall apply only to subgroup 1 of group C inspection and shall consist of tests specified in table III herein.
- e. For device class M, unless otherwise noted, the requirements for device class B in method 1005 of MIL-STD-883 shall be followed.

4.4.3.2 Additional criteria for device classes Q, and V. The steady-state life test duration, test condition and test temperature, or approved alternatives shall be as specified in the device manufacturer's QM plan in accordance with MIL-PRF-38535. The test circuit shall be maintained under document revision level control by the device manufacturer's TRB, in accordance with MIL-PRF-38535, and shall be made available to the acquiring or preparing activity upon request. The test circuit shall specify the inputs, outputs, biases, and power dissipation, as applicable, in accordance with the intent specified in test method 1005 of MIL-STD-883.

4.4.4 Group D inspection. Group D inspection shall be in accordance with table IV of method 5005 of MIL-STD-883. End-point electrical parameters shall be as specified in table II herein.

4.4.5 Group E inspection. Group E inspection is required only for parts intended to be marked as radiation hardness assured (see 3.5 herein).

- a. End-point electrical parameters shall be as specified in table II herein.
- b. For device classes Q and V, the devices or test vehicle shall be subjected to radiation hardness assured tests as specified in MIL-PRF-38535 for the RHA level being tested. For device class M, the devices shall be subjected to radiation hardness assured tests as specified in MIL-PRF-38535, appendix A for the RHA level being tested. For device classes B and S, subgroups 1 and 2 in table V, method 5005 of MIL-STD-883 shall be tested as appropriate for device construction.
- c. When specified in the purchase order or contract, a copy of the RHA delta limits shall be supplied.
- d. RHA tests for device classes M, B and S for levels M, D, L, R, F, G, and H shall be performed through each level to determine at what levels the devices meet the RHA requirements. These RHA tests shall be performed for initial qualification and after design or process changes which may affect the RHA performance of the device.
- e. Prior to irradiation, each selected sample shall be assembled in its qualified package. It shall pass the specified group A electrical parameters in table I for subgroups specified in table II herein.
- f. For device classes Q, and V, the devices or test vehicle shall be subjected to radiation hardness assured tests as specified in MIL-PRF-38535 for the RHA level being tested. For device classes M, B, and S, the devices shall be subjected to radiation hardness assured tests as specified in MIL-PRF-38535, appendix A for the RHA level being tested. All device classes must meet the postirradiation end-point electrical parameter limits as defined in table I at $T_A = +25^\circ\text{C} \pm 5^\circ\text{C}$, after exposure, to the subgroups specified in table II herein.

4.4.5.1 Total dose irradiation testing. Total dose irradiation testing shall be performed in accordance with MIL-STD-883, method 1019, and as specified herein:

Prior to and during total dose irradiation characterization and testing, the devices for characterization shall be biased so that 50 percent are at inputs high and 50 percent are at inputs low, and the devices for testing shall be biased to the worst case condition established during characterization. Devices shall be biased as follows:

1. Inputs tested high, $V_{CC} = 5.5\text{ V dc} + 5\%$, $R_{CC} = 10\Omega + 20\%$, $V_{IN} = 5.0\text{ V dc} + 5\%$, $R_{IN} = 1\text{ k}\Omega + 20\%$, and all outputs are open.
2. Inputs tested low, $V_{CC} = 5.5\text{ V dc} + 5\%$, $R_{CC} = 10\Omega + 20\%$, $V_{IN} = 0.0\text{ V dc}$, $R_{IN} = 1\text{ k}\Omega + 20\%$, and all outputs are open.

STANDARD MICROCIRCUIT DRAWING DEFENSE SUPPLY CENTER COLUMBUS COLUMBUS, OHIO 43216-5000	SIZE A		5962-90590
		REVISION LEVEL A	SHEET 21

DSCC FORM 2234
APR 97

9004708 0032342 292

查询 5962-9059001MZA 供应商

4.4.5.1.1 Accelerated aging test. Accelerated aging shall be performed on class M, B, S, Q, and V devices requiring an RHA level greater than 5K rads (Si). The post-anneal end point electrical parameter limits shall be as specified in table I herein and shall be the preirradiation end point electrical parameter limit at $25^{\circ}\text{C} \pm 5^{\circ}\text{C}$. Testing shall be performed at initial qualification and after any design or process changes which may effect the RHA response of the device.

4.5 Methods of inspection. Methods of inspection shall be specified as follows.

4.5.1 Voltage and current. Unless otherwise specified, all voltages given are referenced to the microcircuit GND terminal. Currents given are conventional current and positive when flowing into the referenced terminal.

5. PACKAGING

5.1 Packaging requirements. The requirements for packaging shall be in accordance with MIL-PRF-38535 for device classes Q, and V or MIL-PRF-38535, appendix A for device classes M, B, and S.

6. NOTES

6.1 Intended use. Microcircuits conforming to this drawing are intended for use for Government microcircuit applications (original equipment), design applications, and logistics purposes.

6.1.1 Replaceability. Microcircuits covered by this drawing will replace the same generic device covered by a contractor prepared specification or drawing.

6.1.2 Substitutability. Device classes B and Q devices will replace device class M devices.

6.2 Configuration control of SMD's. All proposed changes to existing SMD's will be coordinated with the users of record for the individual documents. This coordination will be accomplished in accordance with MIL-STD-973 using DD Form 1692, Engineering Change Proposal.

6.3 Record of users. Military and industrial users should inform Defense Supply Center Columbus when a system application requires configuration control and which SMD's are applicable to that system. DSCC will maintain a record of users and this list will be used for coordination and distribution of changes to the drawings. Users of drawings covering microelectronic devices (FSC 5962) should contact DSCC-VA, telephone (614) 692-0525.

6.4 Comments. Comments on this drawing should be directed to DSCC-VA, Columbus, Ohio 43216-5000, or telephone (614) 692-0674.

6.5 Abbreviations, symbols, and definitions. The abbreviations, symbols, and definitions used herein are defined in MIL-PRF-38535 and MIL-HDBK-1331.

6.6 Sources of supply.

6.6.1 Sources of supply for device classes Q, and V. Sources of supply for device classes Q, and V are listed in QML-38535. The vendors listed in QML-38535 have submitted a certificate of compliance (see 3.6 herein) to DSCC-VA and have agreed to this drawing.

6.6.2 Approved sources of supply for device classes M, B and S. Approved sources of supply for classes M, B and S are listed in MIL-HDBK-103. The vendors listed in MIL-HDBK-103 have agreed to this drawing and a certificate of compliance (see 3.6 herein) has been submitted to and accepted by DSCC-VA.

STANDARD MICROCIRCUIT DRAWING DEFENSE SUPPLY CENTER COLUMBUS COLUMBUS, OHIO 43216-5000	SIZE A		5962-90590
		REVISION LEVEL A	SHEET 22

DSCC FORM 2234
APR 97

9004708 0032343 129

DATE: 97-11-05

Approved sources of supply for SMD 5962-90590 are listed below for immediate acquisition information only and shall be added to MIL-HDBK-103 during the next revision. MIL-HDBK-103 will be revised to include the addition or deletion of sources. The vendors listed below have agreed to this drawing and a certificate of compliance has been submitted to and accepted by DSCC-VA. This bulletin is superseded by the next dated revision of MIL-HDBK-103.

Standard microcircuit drawing PIN <u>1/</u>	Vendor CAGE number	Vendor similar PIN <u>2/</u>
5962-9059001MCA	27014	54AC05DMQB
5962-9059001MDA	27014	54AC05FMQB
5962-9059001M2A	27014	54AC05LMQB
5962R9059001SCA	27014	JM54AC05SCA-RH
5962R9059001SDA	27014	JM54AC05SDA-RH
5962R9059001S2A	27014	JM54AC05S2A-RH
5962R9059001BCA	27014	JM54AC05BCA-RH
5962R9059001BDA	27014	JM54AC05BDA-RH
5962R9059001B2A	27014	JM54AC05B2A-RH

1/ The lead finish shown for each PIN representing a hermetic package is the most readily available from the manufacturer listed for that part. If the desired lead finish is not listed contact the vendor to determine its availability.
2/ **Caution.** Do not use this number for item acquisition. Items acquired to this number may not satisfy the performance requirements of this drawing.

Vendor CAGE number

27014

Vendor name and address

National Semiconductor
 2900 Semiconductor Drive
 P.O. Box 58090
 Santa Clara, CA 95052-8090
 Point-of-contact: 5 Foden Road
 South Portland, ME 04106

The information contained herein is disseminated for convenience only and the Government assumes no liability whatsoever for any inaccuracies in the information bulletin.

■ 9004708 0032344 065 ■