

658-613



**1.27mm (.050") Pitch  
SCSI+  
Unshielded Plug**

**70498**

**For .025" Ribbon Cable,  
All Plastic**

**FEATURES AND SPECIFICATIONS**

*Features and Benefits*

- Part No. 70498-5008 provides true 7-sided strain relief
- Available as kit, with or without strain relief
- Conforms to SCSI requirements
- Contact factory for other circuit sizes available
- Contact factory regarding termination equipment
- Optional dust cover available (68 circuit only), see page Q-45

**Reference Information**

Product Specification: PSX79058  
Tooling Information: See page Q-55  
UL File No.: E29179  
CSA File No.: LR19980A-281  
Mates With: 70491 and 79059  
Designed In: Inches

**Electrical**

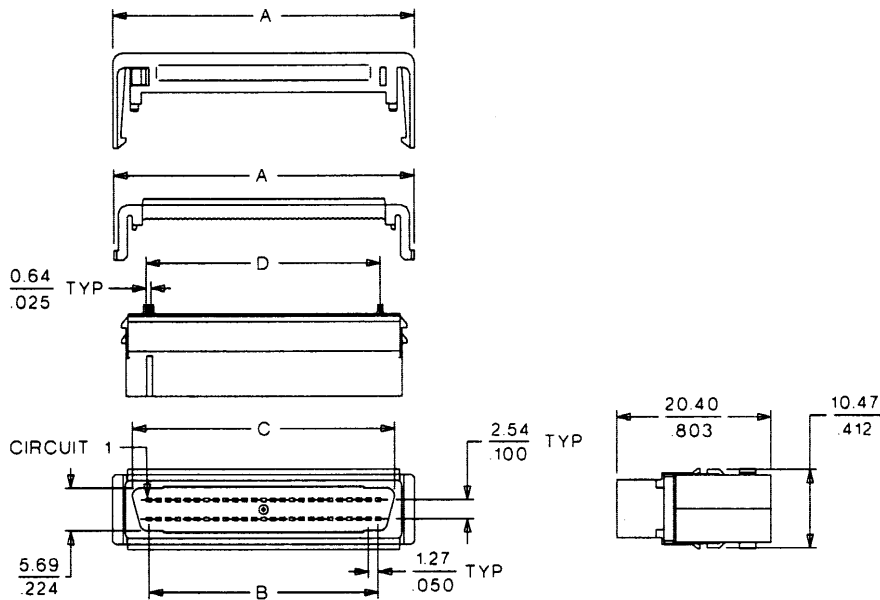
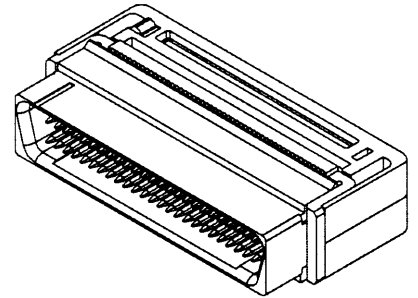
Voltage: 30V  
Current: 1.0A  
Contact Resistance: 25mΩ max.  
Dielectric Withstanding Voltage: 500V AC  
Insulation Resistance: 1000 MΩ min.

**Mechanical**

Wire Pull-Out Force: 30 lb max.  
Mating Force: 5.3 oz max. per circuit  
Unmating Force: 1.0 oz min. per circuit  
Normal Force: 100g

**Physical**

Housing: Black glass-filled polyester, UL 94V-0  
Contact: Phosphor Bronze  
Plating: 30μ" Gold in contact area, 78μ" Tin/Lead on solder tails or IDT area, all over 50μ" Nickel overall  
Temperature: -55 to +105°C



**ORDERING INFORMATION AND DIMENSIONS**

Circuits	Order No.		Description	Dimension			
	With Strain Relief	Without Strain Relief		A	B	C	D
50	70498-3050	70498-4050	Plug assembly and upper housings	40.05 (1.577)	30.48 (1.200)	34.84 (1.372)	31.12 (1.225)
68	70498-3068	70498-4068	Plug assembly and upper housings	51.49 (2.027)	41.91 (1.650)	46.28 (1.822)	42.54 (1.675)

Note: Shielded versions of this product are available, contact factory