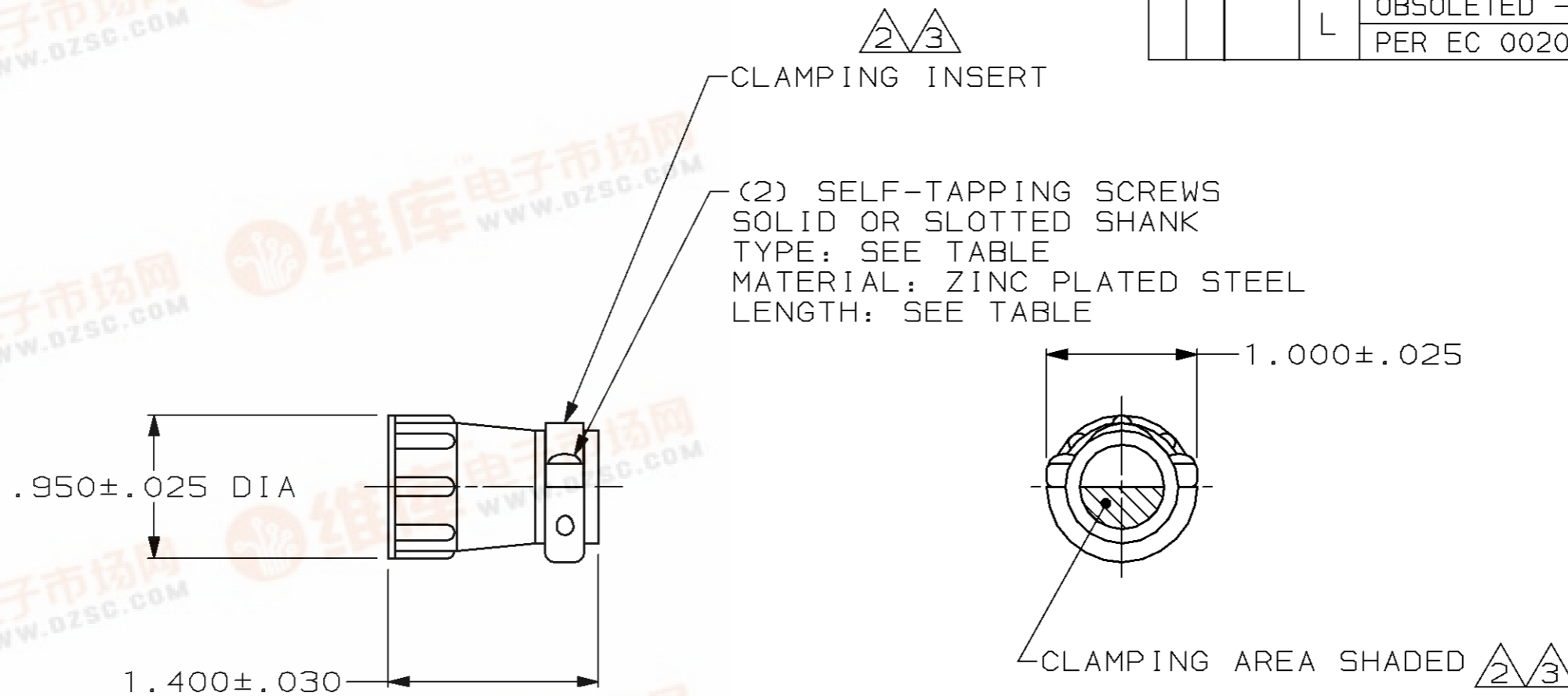


THIS DRAWING IS UNPUBLISHED. RELEASED FOR PUBLICATION ,19 .
 © COPYRIGHT 19 BY AMP INCORPORATED. ALL INTERNATIONAL RIGHTS RESERVED.

查询"206966-1"供应商

LOC	DIST	P	F	ZONE	LTR	DESCRIPTION	DATE	APPD
FT	4				K	OBSOLETE -4 PER EC 0020-1564-93	08/10/94	AF
					L	OBSOLETE -5 PER EC 0020-559-96	03 JAN 97	TW



AMP BRAZIL USE ONLY

PACKAGING	SCREW LENGTH	SCREW TYPE	PART NUMBER
SMALL PACK	.500	#5-20	206966-6
INDIVIDUAL	12mm	3mm-20	206966-5
INDIVIDUAL	.500	#5-20	206966-4
BULK	.500	#5-20	206966-2
INDIVIDUAL	.500	#5-20	206966-1

- PARTS PACKAGED UNASSEMBLED.
- CABLE CLAMPING AREA ADJUSTABLE FROM .010 TO .161 SQ IN BY REVERSING CLAMPING INSERTS. (2 INSERTS SUPPLIED, -1 AND -2 ONLY)
- CABLE CLAMPING AREA ADJUSTABLE FROM .010 TO .161 SQ IN BY CHANGING CLAMPING INSERTS. (4 INSERTS SUPPLIED, -4 ONLY)
- .453 MAXIMUM CABLE OUTSIDE DIAMETER.
- BULK PACKAGED KITS TO BE ORDERED IN MULTIPLES OF 200 ONLY.
- OBSOLETE PART NUMBER.

DO NOT SCALE PRINT. UNLESS SPECIFIED DIMENSIONS IN INCHES TOLERANCES ON: 2 PLC DEC ± - 3 PLC DEC ± - ANGLES ± -	DR 4/23/91 A GRAFF	AMP AMP Incorporated Harrisburg, PA 17105-3608		
	CHK 7-23-92 W.G.LENKER			
	MATERIAL THERMOPLASTIC, BLACK	APPD 7-23-92 K.BEAVER	NAME CABLE CLAMP KIT, STANDARD, SHELL SIZE 13, CPC	
	FINISH -	APPD 7-23-92 C.ROHDE		
	PRODUCT SPEC 108-10024	SIZE B	CAGE CODE 00779	DRAWING NO 206966
	APPLICATION SPEC -	SCALE 1:1	SHEET 1 OF 1	
	WEIGHT -			

CUSTOMER DRAWING

