



查询"2SB1354"供应商

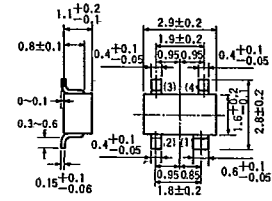
T-33-11

■ GaAs Dual-Gate MES FETs

Type	Function	Absolute Maximum Ratings (Ta=25°C)				Electrical Characteristics (Ta=25°C)				
		V _{DS} (V)	I _D (mA)	P _D (mW)	Tch(°C)	NF(dB)	PG(dB)	f(MHz)	I _{loss} (mA)	Y _{fsl} (ms)
3SK212	UHF RF	10	50	150	125	1.5	18	800	15~40	18

Note: See Catalog No. 2920 for further information.

Dimensions (Unit: mm)



(1) Source (3) Gate 2
(2) Drain (4) Gate 1

■ Power Transistors

● TO-220, TO-220FP, HRT Types

I _c	V _{CE0}	COLLECTOR TO EMITTER VOLTAGE (V)							
		50	60	80	100	120	160	200	400
COLLECTOR CURRENT (A)	1.5					<input type="checkbox"/> 2SD1562 <input type="checkbox"/> 2SB1085 <input checked="" type="checkbox"/> 2SD1763 <input checked="" type="checkbox"/> 2SB1186 <input type="checkbox"/> 2SD2033 <input type="checkbox"/> 2SB1353	<input type="checkbox"/> 2SD1562A <input type="checkbox"/> 2SB1085A <input checked="" type="checkbox"/> 2SD1763A <input checked="" type="checkbox"/> 2SB1186A		
	2.0		<input type="checkbox"/> 2SD1647* <input checked="" type="checkbox"/> 2SD1764* <input type="checkbox"/> 2SD2041*		<input type="checkbox"/> 2SD1646 <input type="checkbox"/> 2SB1286 <input checked="" type="checkbox"/> 2SD1765 <input checked="" type="checkbox"/> 2SB1287 <input type="checkbox"/> 2SD2039 <input type="checkbox"/> 2SB1359			<input type="checkbox"/> 2SC3968 <input checked="" type="checkbox"/> 2SC3969 <input type="checkbox"/> 2SC4354	
	3.0	<input type="checkbox"/> 2SD1505 <input type="checkbox"/> 2SB1064 <input checked="" type="checkbox"/> 2SD1762 <input checked="" type="checkbox"/> 2SB1185 <input type="checkbox"/> 2SD2037 <input type="checkbox"/> 2SB1357	<input type="checkbox"/> 2SD2023 <input type="checkbox"/> 2SB1033 <input type="checkbox"/> 2SD1943 <input checked="" type="checkbox"/> 2SD2061 <input checked="" type="checkbox"/> 2SB1187 <input checked="" type="checkbox"/> 2SD1944 <input type="checkbox"/> 2SD2096 <input type="checkbox"/> 2SB1354 <input type="checkbox"/> 2SD2044						
	4.0		<input type="checkbox"/> 2SD1778 <input type="checkbox"/> 2SB1334 <input type="checkbox"/> 2SD1986 <input type="checkbox"/> 2SC4573* <input checked="" type="checkbox"/> 2SD1855 <input checked="" type="checkbox"/> 2SB1335 <input checked="" type="checkbox"/> 2SD1987 <input checked="" type="checkbox"/> 2SC4574* <input type="checkbox"/> 2SD2035 <input type="checkbox"/> 2SB1355 <input type="checkbox"/> 2SC4575*	<input type="checkbox"/> 2SC4007 <input type="checkbox"/> 2SA1634 <input type="checkbox"/> 2SD1778A <input type="checkbox"/> 2SB1334A <input checked="" type="checkbox"/> 2SC4008 <input checked="" type="checkbox"/> 2SA1635 <input checked="" type="checkbox"/> 2SD1855A <input checked="" type="checkbox"/> 2SB1335A <input type="checkbox"/> 2SD1932 <input checked="" type="checkbox"/> 2SD1933 <input type="checkbox"/> 2SC4355	Package <input type="checkbox"/> TO-220 (Fig. 20) <input checked="" type="checkbox"/> TO-220FP (Fig. 21) <input type="checkbox"/> HRT (Fig. 22) Notes: (1) <input type="checkbox"/> : Darlington transistors (2) (: Complementary pairs (3) ★: Transistors with internal zener diode (V _z = 60 ± 10V)				
	5.0		<input type="checkbox"/> 2SD1720 <input type="checkbox"/> 2SB1291 <input type="checkbox"/> 2SD1783* <input checked="" type="checkbox"/> 2SD1832 <input checked="" type="checkbox"/> 2SB1292 <input checked="" type="checkbox"/> 2SD1856* <input type="checkbox"/> 2SD2038 <input type="checkbox"/> 2SB1358 <input type="checkbox"/> 2SD2042*		<input type="checkbox"/> 2SD1896 <input type="checkbox"/> 2SB1293 <input checked="" type="checkbox"/> 2SD1897 <input checked="" type="checkbox"/> 2SB1294 <input type="checkbox"/> 2SD2040 <input type="checkbox"/> 2SB1360				
	6.0					<input type="checkbox"/> 2SD1888 <input type="checkbox"/> 2SB1339 <input checked="" type="checkbox"/> 2SD1889 <input checked="" type="checkbox"/> 2SB1340 <input type="checkbox"/> 2SD2043			
	7.0			<input type="checkbox"/> 2SD1580 <input type="checkbox"/> 2SB1289 <input checked="" type="checkbox"/> 2SD1833 <input checked="" type="checkbox"/> 2SB1290 <input type="checkbox"/> 2SD2036 <input type="checkbox"/> 2SB1356		<input type="checkbox"/> 2SD1956 <input checked="" type="checkbox"/> 2SD1957			
	8.0				<input type="checkbox"/> 2SD2024 <input checked="" type="checkbox"/> 2SD2025				





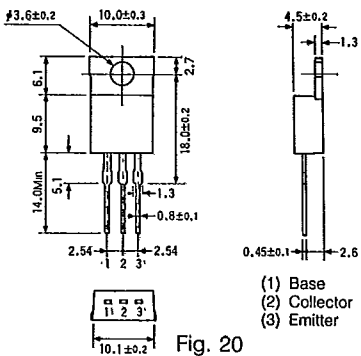
查询"2SB1354"供应商

☆ Under Development

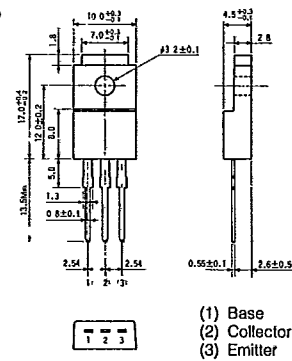
Type			Function	V _{CEO} (V)	I _c (A)	P _c (W)			h _{FE}			
TO-220	TO-220FP	HRT				T _c =25°C		T _a =25°C	V _{CE} (V)	I _c (A)		
						TO-220	TO-220FP	HRT				
2SA1634	2SA1635	—	Driver	-80	-4	40	30	—	60~320	-4	-1	
2SB1033	2SB1187	2SB1354		-60	-3	40	30	1.8	60~320	-5	-0.5	
2SB1064	2SB1185	2SB1357		-50	-3	30	25	1.8	60~320	-3	-0.5	
2SB1085	2SB1186	2SB1353		-120	-1.5	20	20	1.8	60~320	-5	-0.1	
2SB1085A	2SB1186A	—		-160	-1.5	20	20	—	60~200	-5	-0.1	
2SB1289	2SB1290	☆ 2SB1356		-80	-7	40	30	1.8	60~320	-5	-1	
2SB1291	2SB1292	☆ 2SB1358		-60	-5	40	30	1.8	60~320	-5	-1	
2SB1293	2SB1294	☆ 2SB1360		-100	-5	40	30	1.8	60~320	-5	-1	
2SB1334	2SB1335	2SB1355		-60	-4	40	30	1.8	60~320	-5	-1	
2SB1334A	2SB1335A	—		-80	-4	40	30	—	60~320	-5	-1	
2SC4007	2SC4008	2SC4355		80	4	40	30	1.8	60~500	4	1	
2SD2023	2SD2061	2SD2096		60	3	40	30	1.8	60~320	5	0.5	
2SD1505	2SD1762	2SD2037		50	3	30	25	1.8	60~320	3	0.5	
2SD1562	2SD1763	2SD2033		120	1.5	20	20	1.8	60~320	5	0.1	
2SD1562A	2SD1763A	—		160	1.5	20	20	—	60~200	5	0.1	
2SD1580	2SD1833	2SD2036		80	7	40	30	1.8	60~320	5	1	
2SD1720	2SD1832	2SD2038		60	5	40	30	1.8	60~320	5	1	
2SD1778	2SD1855	2SD2035		60	4	40	30	1.8	60~320	5	1	
2SD1778A	2SD1855A	—		80	4	40	30	—	60~320	5	1	
2SD1896	2SD1897	2SD2040		100	5	40	30	1.8	60~320	5	1	
2SD1956	2SD1957	—		120	7	40	30	—	100~500	5	1	
2SD1943	2SD1944	2SD2044		60	3	40	30	1.8	400~2K	4	0.5	
2SC3968	2SC3969	☆ 2SC4354		400	2	20	20	1.8	16~50	5	0.1	
2SB1286	2SB1287	2SB1359		Darlington	-100	-2	25	20	1.8	1K~10K	-2	-1
2SB1339	2SB1340	—			-120	-6	40	30	—	2K~20K	-3	-2
2SC4573	2SC4574	2SC4575	60±10		4	35	30	1.8	2K~10K	5	1.5	
2SD1646	2SD1765	2SD2039	100		2	25	20	1.8	1K~10K	2	1	
2SD1647	2SD1764	2SD2041	60±10		2	25	20	1.8	1K~10K	2	1	
2SD1783	2SD1856	2SD2042	60±10		5	30	25	1.8	2K~30K	3	2	
2SD1888	2SD1889	2SD2043	120		6	40	30	1.8	2K~20K	3	2	
2SD1932	2SD1933	—	80		4	35	30	—	1K~10K	3	2	
2SD1986	2SD1987	—	60		4	35	30	—	1K~10K	3	2	
—	2SD2025	—	100		8	—	30	—	1K~20K	3	2	

Dimensions (Unit: mm)

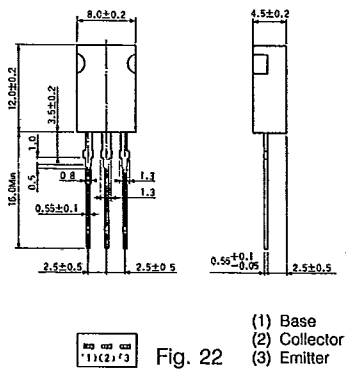
TO-220



TO-220FP



HRT



Note: For more information, see type-classified brochures or new product information.