

MC33596

PLL Tuned UHF Receiver for Data Transfer Applications

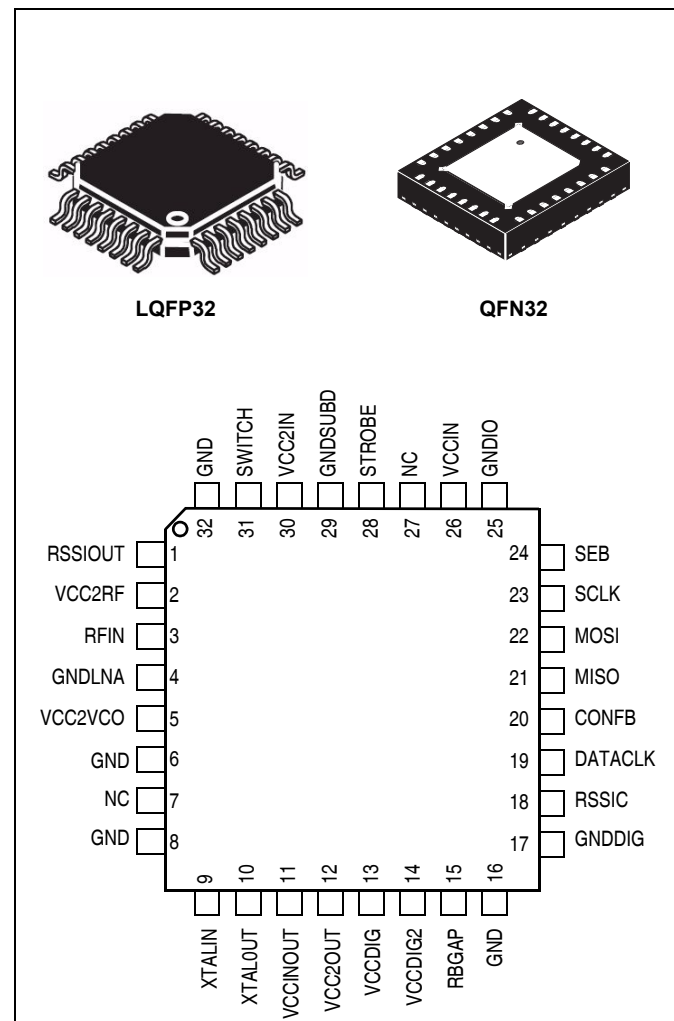
1 Overview

The MC33596 is a highly integrated receiver designed for low-voltage applications. It includes a programmable PLL for multi-channel applications, an RSSI circuit, a strobe oscillator that periodically wakes up the receiver while a data manager checks the content of incoming messages. A configuration switching feature allows automatic changing of the configuration between two programmable settings without the need of an MCU.

2 Features

General:

- 304 MHz, 315 MHz, 426 MHz, 434 MHz, 868 MHz, and 915 MHz ISM bands
- Choice of temperature ranges:
 - -40°C to $+85^{\circ}\text{C}$
 - -20°C to $+85^{\circ}\text{C}$
- OOK and FSK reception
- 20 kbps maximum data rate using Manchester coding
- 2.1 V to 3.6 V or 5 V supply voltage
- Programmable via SPI
- 6 kHz PLL frequency step



Features

[查询"MC33596"供应商](#)

- Frequency hopping capability with PLL toggle time below 30 μ s
- Current consumption:
 - 10.3 mA in RX mode
 - Less than 1 mA in RX mode with strobe ratio = 1/10
 - 260 nA standby and 24 μ A off currents
- Configuration switching — allows fast switching of two register banks

Receiver:

- -106.5 dBm sensitivity, up to -108 dBm in FSK 2.4 kbps
- Digital and analog RSSI (received signal strength indicator)
- Automatic wakeup function (strobe oscillator)
- Embedded data processor with programmable word recognition
- Image cancelling mixer
- 380 kHz IF filter bandwidth
- Fast wakeup time

Ordering information

Temperature Range	QFN Package	LQFP Package
-40°C to +85°C	MC33596FCE/R2	MC33596FJE/R2
-20°C to +85°C	MC33596FAE/R2	MC33596FAE/R2

[查询"MC33596"供应商](#)

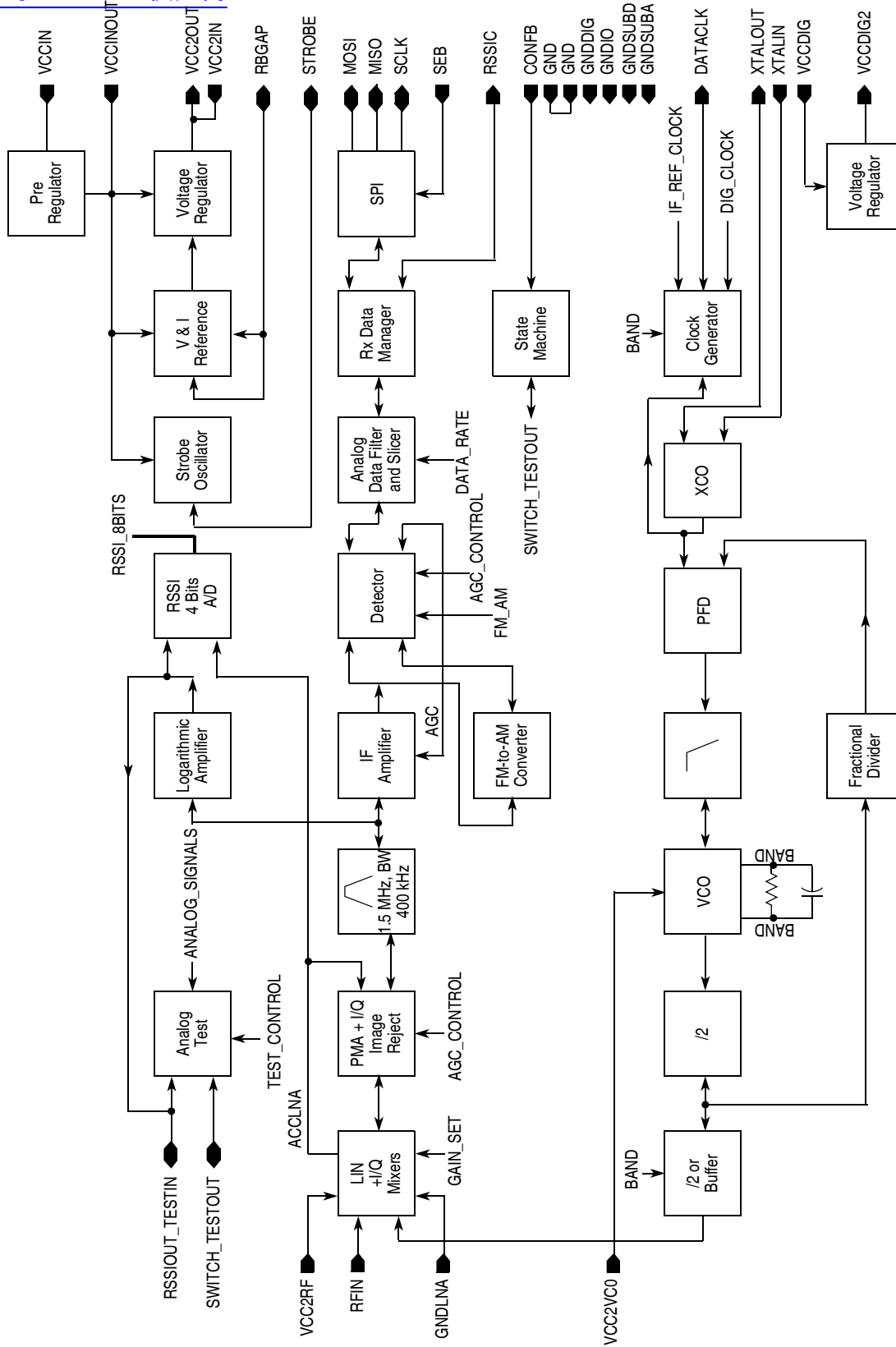


Figure 1. Block Diagram

MC33596 Data Sheet, Rev. 4

3 Pin Functions

Table 1. Pin Functions

Pin	Name	Description
1	RSSIOUT	RSSI analog output
2	VCC2RF	2.1 V to 2.7 V internal supply for LNA
3	RFIN	RF input
4	GNDLNA	Ground for LNA (low noise amplifier)
5	VCC2VCO	2.1 V to 2.7 V internal supply for VCO
6	GND	Ground
7	NC	Not connected
8	GND	Ground
9	XTALIN	Crystal oscillator input
10	XTALOUT	Crystal oscillator output
11	VCCINOUT	2.1 V to 3.6 V power supply/regulator output
12	VCC2OUT	2.1 V to 2.7 V voltage regulator output for analog and RF modules
13	VCCDIG	2.1 V to 3.6 V power supply for voltage limiter
14	VCCDIG2	1.5 V voltage limiter output for digital module
15	RBGAP	Reference voltage load resistance
16	GND	General ground
17	GNDDIG	Digital module ground
18	RSSIC	RSSI control input
19	DATACLK	Data clock output to microcontroller
20	CONFB	Configuration mode selection input
21	MISO	Digital interface I/O
22	MOSI	Digital interface I/O
23	SCLK	Digital interface clock I/O
24	SEB	Digital interface enable input
25	GNDIO	Digital I/O ground
26	VCCIN	2.1 V to 3.6 V or 5.5 V input
27	NC	No connection
28	STROBE	Strobe oscillator capacitor or external control input
29	GNDSUBD	Ground
30	VCC2IN	2.1 V to 2.7 V power supply for analog modules for decoupling capacitor
31	SWITCH	RF switch control output
32	GND	General ground

[查询"MC33596"供应商](#)

4 Maximum Ratings

Table 2. Maximum Ratings

Parameter	Symbol	Value	Unit
Supply voltage on pin: VCCIN	V _{CCIN}	V _{GND} -0.3 to 5.5	V
Supply voltage on pins: VCCINOUT, VCCDIG	V _{CC}	V _{GND} -0.3 to 3.6	V
Supply voltage on pins: VCC2IN, VCC2RF, VCC2VCO	V _{CC2}	V _{GND} -0.3 to 2.7	V
Voltage allowed on each pin (except digital pins)	—	V _{GND} -0.3 to V _{CC2}	V
Voltage allowed on digital pins: SEB, SCLK, MISO, MOSI, CONFB, DATACLK, RSSIC, STROBE	V _{CCIO}	V _{GND} -0.3 to V _{CC} +0.3	V
ESD HBM voltage capability on each pin ¹	—	±2000	V
ESD MM voltage capability on each pin ²	—	±200	V
Solder heat resistance test (10 s)	—	260	°C
Storage temperature	T _S	-65 to +150	°C
Junction temperature	T _J	150	°C

NOTES:

¹ Human body model, AEC-Q100-002 rev. C.

² Machine model, AEC-Q100-003 rev. C.

5 Power Supply

Table 3. Supply Voltage Range Versus Ambient Temperature

Parameter	Symbol	Temperature Range ¹		Unit
		-40°C to +85°C	-20°C to +85°C	
Supply voltage on VCCIN, VCCINOUT, VCCDIG for 3 V operation	V _{CC3V}	2.7 to 3.6	2.1 to 3.6	V
Supply voltage on VCCIN for 5 V operation	V _{CC5V}	4.5 to 5.5	4.5 to 5.5	V

NOTES:

¹ -40°C to +85°C: MC33596FCE/FJE.

-20°C to +85°C: MC33596FAE/FJAE.

The circuit can be supplied from a 3 V voltage regulator or battery cell by connecting VCCIN, VCCINOUT, and VCCDIG (See [Figure 43](#) or [Figure 44](#)). It is also possible to use a 5 V power supply connected to VCCIN; in this case VCCINOUT and VCCDIG should not be connected to VCCIN (See [Figure 41](#) or [Figure 42](#)).

An on-chip low drop-out voltage regulator supplies the RF and analog modules (except the strobe oscillator and the low voltage detector, which are directly supplied from VCCINOUT). This voltage regulator is supplied from pin VCCINOUT and its output is connected to VCC2OUT. An external capacitor (C8 = 100 nF) must be inserted between VCC2OUT and GND for stabilization and decoupling. The analog and RF modules must be supplied by VCC2 by externally wiring VCC2OUT to VCC2IN, VCC2RF, and VCC2VCO.

A second voltage regulator supplies the digital part. This regulator is powered from pin VCCDIG and its output is connected to VCCDIG2. An external capacitor (C10 = 100 nF) must be inserted between VCCDIG2 and GNDDIG, for decoupling. The supply voltage VCCDIG2 is equal to 1.6 V. In standby mode, this voltage regulator goes into an ultra-low-power mode, but $V_{CCDIG2} = 0.7 \times V_{CCDIG}$.

This enables the internal registers to be supplied, allowing configuration data to be saved.

6 Supply Voltage Monitoring and Reset

At power-on, an internal reset signal (Power-on Reset, POR) is generated when supply voltage is around 1.3 V. All registers are reset.

When the LVDE bit is set, the low-voltage detection module is enabled. This block compares the supply voltage on VCCINOUT with a reference level of about 1.8 V. If the voltage on VCCINOUT drops below 1.8 V, status bit LVDS is set. The information in status bit LVDS is latched and reset after a read access.

NOTE

If LVDE = 1, the LVD module remains enabled. The circuit cannot be put in standby mode, but remains in LVD mode with a higher quiescent current, due to the monitoring circuitry. LVD function is not accurate in standby mode.

[查询"MC33596"供应商](#)

7 Receiver Functional Description

The receiver is based on a superheterodyne architecture with an intermediate frequency IF (see [Figure 1](#)). Its input is connected to the RFIN pin. Frequency down conversion is done by a high-side injection I/Q mixer driven by the frequency synthesizer. An integrated poly-phase filter performs rejection of the image frequency.

The low intermediate frequency allows integration of the IF filter providing the selectivity. The IF Filter center frequency is tuned by automatic frequency control (AFC) referenced to the crystal oscillator frequency.

Sensitivity is met by an overall amplification of approximately 96 dB, distributed over the reception chain, comprising low-noise amplifier (LNA), mixer, post-mixer amplifier, and IF amplifier. Automatic gain control (AGC), on the LNA and the IF amplifier, maintains linearity and prevents internal saturation. Sensitivity can be reduced using four programmable steps on the LNA gain.

Amplitude demodulation is achieved by peak detection. Frequency demodulation is achieved in two steps: the IF amplifier AGC is disabled and acts as an amplitude limiter; a filter performs a frequency-to-voltage conversion. The resulting signal is then amplitude demodulated in the same way as in the case of amplitude modulation with an adaptive voltage reference.

A low-pass filter improves the signal-to-noise ratio of demodulated data. A data slicer compares demodulated data with a fixed or adaptive voltage reference and provides digital level data.

This digital data is available if the integrated data manager is not used.

If used, the data manager performs clock recovery and decoding of Manchester coded data. Data and clock are then available on the serial peripheral interface (SPI). The configuration sets the data rate range managed by the data manager and the bandwidth of the low-pass filter.

An internal low-frequency oscillator can be used as a strobe oscillator to perform an automatic wakeup sequence.

It is also possible to define two different configurations for the receiver (frequency, data rate, data manager, modulation, etc.) that are automatically loaded during wakeup or under MCU control.

If the PLL goes out of lock, received data is ignored.

8 Frequency Planning

8.1 Clock Generator

All clocks running in the circuit are derived from the reference frequency provided by the crystal oscillator (frequency f_{ref} , period t_{ref}). The crystal frequency is chosen in relation to the band in which the MC33596 has to operate. [Table 4](#) shows the value of the CF bits.

Table 4. Crystal Frequency and CF Values Versus Frequency Band

RF Frequency (MHz)	CF1	CF0	LOF1	LOF0	F _{REF} (Crystal Frequency) (MHz)	F _{IF} (IF Frequency) (MHz)	Dataclk Divider	F _{dataclk} (kHz)	Digclk Divider	F _{digclk} (kHz)	T _{digclk} (μs)
304	0	0	0	0	16.96745	1.414	60	282.791	30	565.582	1.77
315	0	0	1	0	17.58140	1.465	60	293.023	30	586.047	1.71
426	0	1	1	0	23.74913	1.484	80	296.864	40	593.728	1.68
433.92	0	1	0	1	24.19066	1.512	80	302.383	40	604.767	1.65
868.3	1	1	0	1	24.16139	1.510	80	302.017	40	604.035	1.66
916.5	1	1	1	1	25.50261	1.594	80	318.783	40	637.565	1.57

8.2 Intermediate Frequency

The IF filter is controlled by the crystal oscillator to guarantee the frequency over temperature and voltage range. The IF filter center frequency, F_{IF}, can be computed using the crystal frequency f_{ref} and the value of the CF bits:

- If CF[0] = 0 : F_{IF} = f_{ref}/9×1.5/2
- If CF[0] = 1 : F_{IF} = f_{ref}/12×1.5/2

The cut-off frequency given in the parametric section can be computed by scaling to the F_{IF}.

Example 1. Cut-off Frequency Computation

Compute the low cut-off frequency of the IF filter for a 16.9683 MHz crystal oscillator. For this reference frequency, F_{IF} = 1.414 MHz.

So, the 1.387 MHz¹ low cut-off frequency specified for a 1.5 MHz IF frequency becomes 1.387 × 1.414/1.5 = 1.307 MHz.

8.3 Frequency Synthesizer Description

The frequency synthesizer consists of a local oscillator (LO) driven by a fractional N phase locked loop (PLL).

The LO is an integrated LC voltage controlled oscillator (VCO) operating at twice the RF frequency (for the 868 MHz frequency band) or four times the RF frequency (for the 434 MHz and 315 MHz frequency bands). This allows the I/Q signals driving the mixer to be generated by division.

The fractional divider offers high flexibility in the frequency generation for:

- Performing multi-channel links.
- Trimming the RF carrier.

Frequencies are controlled by means of registers. To allow for user preference, two programming access methods are offered (see [Section 16.3, “Frequency Register”](#)).

- In friendly access, all frequencies are computed internally from the contents of the carrier frequency and deviation frequency registers.

1. Refer to parameter 3.3 found in [Section 19.3, “Receiver Parameters.”](#)

[查询"MC33596"供应商](#)

In direct access, the user programs direct all three frequency registers.

9 MCU Interface

The MC33596 and the MCU communicate via a serial peripheral interface (SPI). According to the selected mode, the MC33596 or the MCU manages the data transfer. The MC33596's digital interface can be used as a standard SPI (master/slave) or as a simple interface (SPI deselected). In the following case, the interface's pins are used as standard I/O pins. However, the MCU has the highest priority, as it can control the MC33596 by setting CONF B pin to the low level. During an SPI access, the STROBE pin must remain at high level to prevent the MC33596 from entering standby mode.

The interface is operated by six I/O pins.

- CONF B — Configuration control input

The configuration mode is reached by setting CONF B to low level.

- STROBE — Wakeup control input

The STROBE pin controls the ON/OFF sequence of the MC33596. When STROBE is set to low level, the receiver is off—when STROBE is set to high level, the receiver is on. The current consumption in receive mode can be reduced by strobing the receiver. The periodic wakeup can be done by MCU only or by an internal oscillator thanks to an external capacitor (strobe oscillator must be previously enabled by setting SOE bit to 1). Refer to [Section 11.3, “Receiver On/Off Control,”](#) for more details.

- SEB — Serial interface enable control input

When SEB is set high, pins SCLK, MOSI, and MISO are set to high impedance, and the SPI bus is disabled. When SEB is set low, SPI bus is enabled. This allows individual selection in a multiple device system, where all devices are connected via the same bus. The rest of the circuit remains in the current state, enabling fast recovery times.

If the MCU shares the SPI access with the MC33596 only, SEB control by the MCU is optional. If not used, it could be hardwired to 0.

- SCLK — Serial clock input/output

Synchronizes data movement in and out of the device through its MOSI and MISO lines. The master and slave devices can exchange a byte of information during a sequence of eight clock cycles. Since SCLK is generated by the master device, this line is an input on the slave device.

- MOSI — Master output slave input/output

In configuration mode, MOSI is an input.

In receive mode, MOSI is an output. Received data is sent on MOSI (see [Table 5](#)).

When no data are output, SCLK and MOSI force a low level.

- MISO — Master input/slave output

In configuration mode only, data read from registers is sent to the MCU with the MSB first. There is no master function. Data are valid on falling edges of SCLK. This means that the clock phase and polarity control bits of the microcontroller SPI have to be CPOL = 0 and CPHA = 1 (using Freescale acronyms).

[Table 5](#) summarizes the serial digital interface feature versus the selected mode.

Table 5. Serial Digital Interface Feature versus Selected Mode

Selected Mode		MC33596 Digital Interface Use
Configuration		SPI slave, data received on MOSI, SCLK from MCU, MISO is output (SEB=0)
Receive	DME = 1	SPI master, data sent on MOSI with clock on SCLK (SEB=0)
	DME = 0	SPI deselected, received data are directly sent to MOSI (SEB=0)
Standby / LVD		SPI deselected, all I/O are high impedance (SEB =1)

Refer to [Section 10, “State Machine,”](#) and to [Figure 2](#) for more details about all the conditions that must be complied with in order to change between two selected modes.

The data transfer protocol for each mode is described in the following section.

10 State Machine

This section describes how the MC33596 controller executes sequences of operations, relative to the selected mode. The controller is a finite state machine, clocked at T_{digclk} . An overview is presented in [Figure 2](#) (note that some branches refer to other diagrams that provide more detailed information).

There are three different modes: configuration, receive, and standby/LVD. Each mode is exclusive and can be entered in different ways, as follows.

- External signal: CONFB for configuration mode
- External signal and configuration bits: CONFB and TRXE for all other modes,
- External signal and internal conditions: see [Figure 3](#) and [Figure 12](#) for information on how to enter standby/LVD mode

After a Power-on Reset (POR), the circuit is in standby mode (see [Figure 2](#)) and the configuration register contents are set to the reset value.

At any time, a low level applied to CONFB forces the finite state machine into configuration mode, whatever the current state. This is not always shown in state diagrams, but must always be considered. Refer to ([Section 14, “Power-On Reset and MC33596 Startup”](#)) for timing sequence between standby mode and configuration mode.

[查询"MC33596"供应商](#)

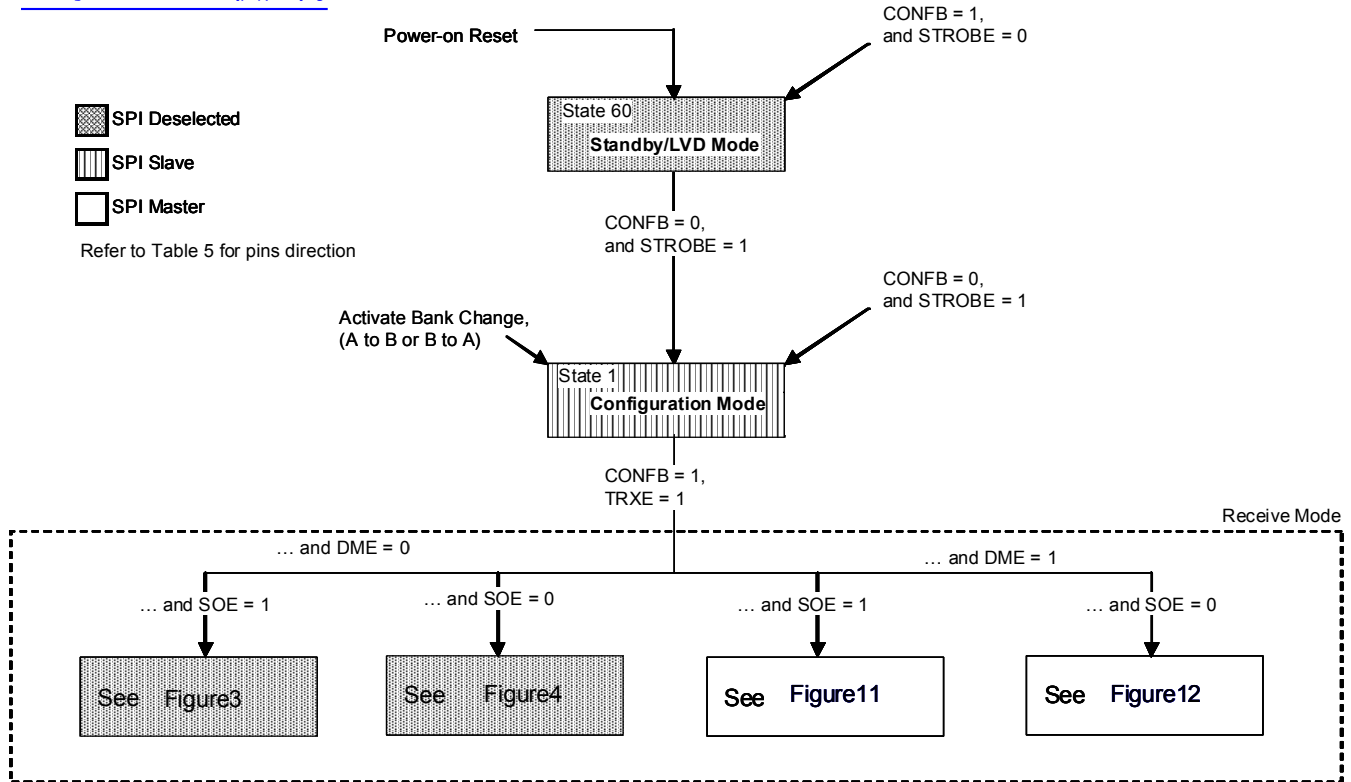


Figure 2. State Machine Overview

11 Receive Mode

The receiver is either waiting for an RF transmission or is receiving one. Two different processes are possible, as determined by the values of the DME bit. A state diagram describes the sequence of operations in each case.

NOTE

If the STROBE pin is tied to a high level before switching to receive mode, the receiver does not go through an off or standby state.

11.1 Data Manager Disabled (DME=0)

Data manager disabled means that the SPI is deselected and raw data is sent directly on the MOSI line, while SCLK remains at low level.

Two different processes are possible, as determined by the values of the SOE bit.

11.1.1 Data Manager Disabled and Strobe Pin Control

Raw received data is sent directly on the MOSI line. [Figure 3](#) shows the state diagram.

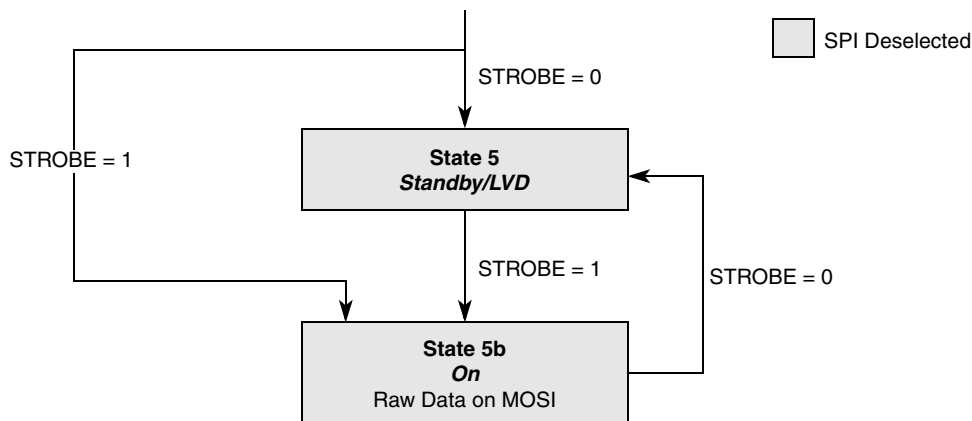


Figure 3. Receive Mode, DME = 0, SOE = 0

- State 5:
The receiver is in standby/LVD mode. For further information, see [Section 12, “Standby: LVD Mode.”](#) A high level applied to STROBE forces the circuit to state 5b.
- State 5b:
The receiver is kept on by the STROBE pin. Raw data is output on the MOSI line.

For all states: At any time, a low level applied to CONFb forces the state machine to state 1, configuration mode.

查询"MC33596"供应商

11.1.2 Data Manager Disabled and Strobe Oscillator Enabled

Raw received data is sent directly on the MOSI line. [Figure 4](#) shows the state diagram.

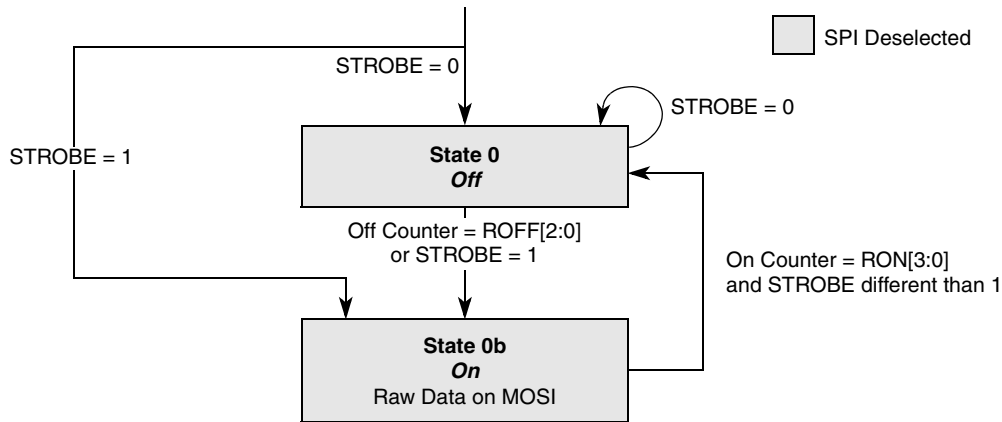


Figure 4. Receive Mode, DME = 0, SOE = 1

- **State 0:**
The receiver is off, but the strobe oscillator and the off counter are running. Forcing the STROBE pin low freezes the strobe oscillator and maintains the system in this state.
- **State 0b:**
If STROBE pin is set to high level or the off counter reaches the ROFF value, the receiver is on. Raw data is output on the MOSI line.

For all states: At any time, a low level applied to CONFb forces the state machine to state 1, configuration mode.

11.2 Data Manager Enabled (DME=1)

The data manager is enabled. The SPI is master. The MC33596 sends the recovered clock on SCLK and the received data on the MOSI line. Data is valid on falling edges of SCLK.

If an even number of bytes is received, the data manager may add an extra byte. The content of this extra byte is random. If the data received do not fill an even number of bytes, the data manager will fill the last byte randomly. [Figure 5](#) shows a typical transfer.

Receive Mode

[查询"MC33596"供应商](#)

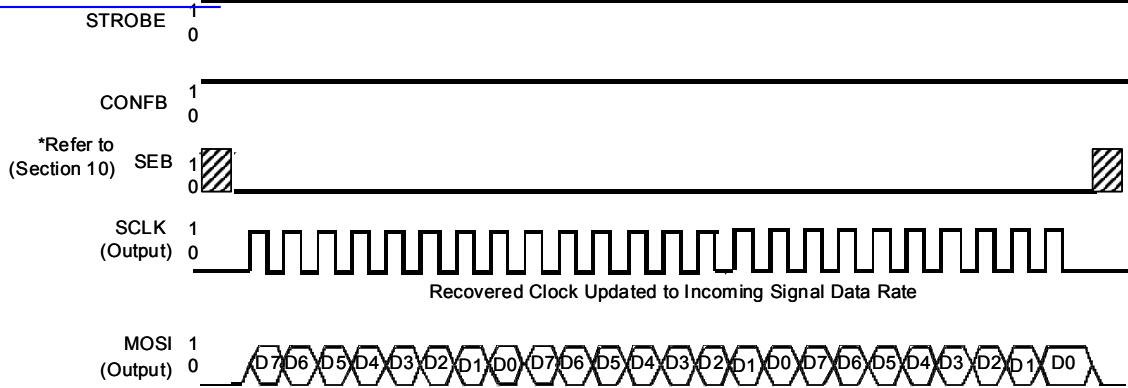


Figure 5. Typical Transfer in Receive mode with Data Manager

11.2.1 Data Manager Functions

In receive mode, Manchester coded data can be processed internally by the data manager. After decoding, the data is available on the digital interface, in SPI format. This minimizes the load on the MCU.

The data manager, when enabled ($DME = 1$), has five purposes:

- First ID detection: the received data are compared with the identifier stored in the ID register.
- Then the HEADER recognition: the received data is compared with the data stored in the HEADER register.
- Clock recovery: the clock is recovered during reception of the preamble and is computed from the shortest received pulse. While this signal is being received, the recovered clock is constantly updated to the data rate of the incoming signal.
- Output data and recovered clock on digital interface: see [Figure 5](#).
- End-of-message detection: an EOM consists of two consecutive NRZ ones or zeroes.

[Table 6](#) details some MC33596 features versus DME values.

Table 6. the MC33596 Features versus DME

DME	Digital Interface Use	Data Format	Output
0	SPI deselected, received data are directly sent to MOSI when $CONFB = 1$	Bit stream No clock	MOSI —
1	SPI master, data sent on MOSI with clock on SCLK when $CONFB = 1$	Data bytes Recovered clock	MOSI SCLK

11.2.2 Manchester Coding Description

The MC33596 data manager is able to decode Manchester-coded messages. For other codings, the data manager should be disabled ($DME=0$) for raw data to be available on MOSI.

查询"MC33596"供应商

DIME = 0: The data manager is disabled. The SPI is deselected. Raw data is sent directly on the MOSI line, while SCLK remains at the low level.

Manchester coding is defined as follows: data is sent during the first half-bit; and the complement of the data is sent during the second half-bit. The signal average value is constant.

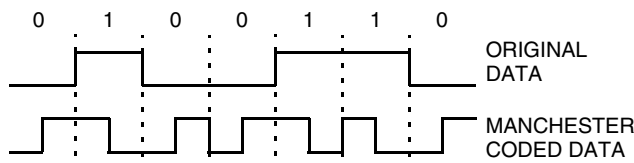


Figure 6. Example of Manchester Coding

Clock recovery can be extracted from the data stream itself. To achieve correct clock recovery, Manchester-coded data must have a duty cycle between 47% and 53%.

11.2.3 Frame Format

A complete telegram includes the following sequences: a preamble, an identifier (ID), a header, the message, and an end-of-message (EOM).



Figure 7. Example of Frame Format

These bit sequences are described below.

11.2.3.1 Preamble

A preamble is required before the first ID detected. It enables:

- In the case of OOK modulation, the AGC to settle, and the data slicer reference voltage to settle if DSREF = 1
- In the case of FSK modulation, the data slicer reference voltage to settle
- The data manager to start clock recovery

No preamble is needed in case of several IDs are sent as shown in [Figure 8](#). The ID field must be greater than two IDs. The first ID will have the same function as the preamble, and the second ID will have the same function as the single ID.



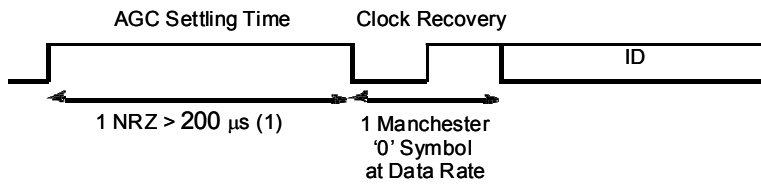
Figure 8. Example of Frame with Several IDs, No Preamble Needed

For both cases, the preamble content must be defined carefully, to ensure that it will not be decoded as the ID or the header. [Figure 9](#) defines the different preamble in OOK and FSK modulation.

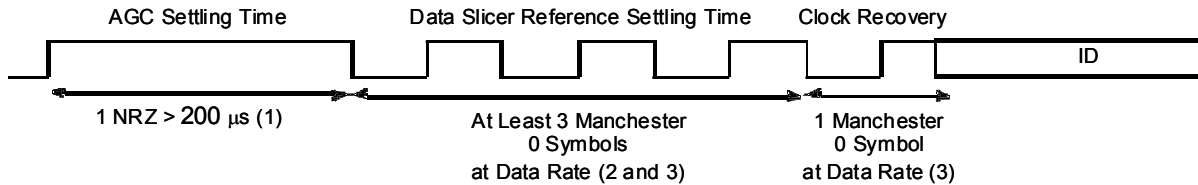
Receive Mode

[查询"MC33596"供应商](#)

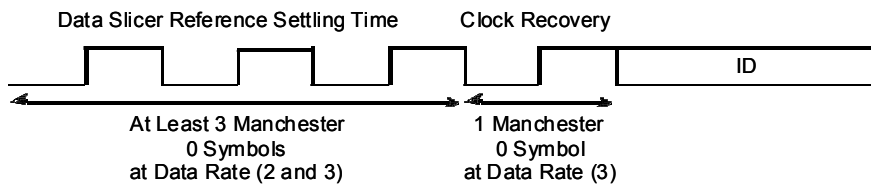
OOK MODULATION (DSREF = 0)



OOK MODULATION (DSREF = 1)



FSK MODULATION (DSREF = 1)



NOTES:

1. The AGC settling time pulse can be split over different pulses as long as the overall duration is at least 200 μ s. The 200 μ s pulse may be replaced by : (1 bit @ 2400 bps or 2 bits @ 4800 bps or 4 bits @ 9600 bps or 8 bits @ 19200 bps).
2. [Table 13](#) defines the minimum number of Manchester symbols required for the data slicer operation versus the data and average filter cut-off frequencies.
3. The Manchester 0 symbol can be replaced by a 1.

Figure 9. Preamble Definition

11.2.3.2 ID

When clock recovery is done, the data manager verifies if an ID is received. The ID is used to identify a useful frame to receive. It is also necessary, when the receiver is strobed, to detect an ID in order to stay in run mode and not miss the frame.

The ID allows selection of the correct device in an RF transmission, as the content has been loaded previously in the ID register. Its length is variable, defined by the IDL[1:0] bits. The complement of the ID is also recognized as the identifier.

It is possible to build a tone to form the detection sequence by programming the ID register with a full sequence of ones or zeroes.

Once the ID is detected, a HEADER will be searched to detect the beginning of the useful data to send on the SPI port.

See [Section 11.2.4, "State Machine in Receive Mode When DME=1"](#) for more details when ID is not detected when SOE=1 or SOE=0.

11.2.3.3 HEADER

The HEADER defines the beginning of the message, as it is compared with the HEADER register. Its length is variable, defined by the HDL[1:0] bits. The complement of the header is also recognized as the header—in this case, output data is complemented. The header and its complement should not be part of the ID.

The ID and the header are sent at the same data rate as data.

11.2.3.4 Data and EOM

The data must follow the header, with no delay.

The message is completed with an end-of-message (EOM), consisting of two consecutive NRZ ones or zeroes (i.e., a Manchester code violation). Even in the case of FSK modulation, data must conclude with an EOM, and not simply by stopping the RF transmission.

11.2.4 State Machine in Receive Mode When DME=1

When the strobe oscillator is enabled (SOE = 1), the receiver is continuously cycling on/off. The ID must be recognized for the receiver to stay on. Consequently, the transmitted ID burst must be long enough to include two consecutive receiver-on cycles.

When the strobe oscillator is not enabled (SOE = 0), these timing constraints must be respected by the external control applied to pin STROBE.

Figure 11 shows the correct detection of an ID when STROBE is controlled internally using the strobe oscillator (SOE=1) or externally by the MCU (SOE=0).

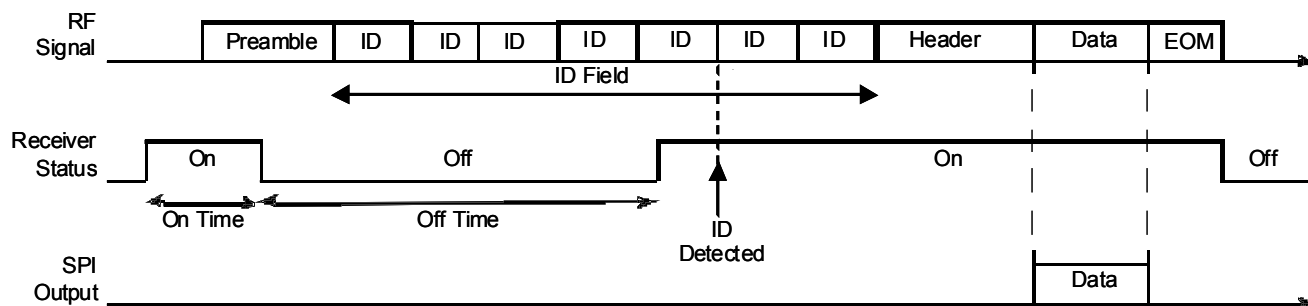


Figure 10. Complete Transmission with ID Detection

Two different processes are possible, as determined by the values of the SOE bit.

11.2.4.1 Data Manager Enabled and Strobe Oscillator Enabled

Figure 11 shows the state diagram when the data manager and the strobe oscillator are enabled. In this configuration, the receiver is controlled internally by the strobe oscillator. However, external control via the STROBE pin is still possible, and overrides the strobe oscillator command.

Receive Mode

[查询"MC33596"供应商](#)

- **State 10:**

The receiver is off, but the strobe oscillator and the off counter are running. Forcing STROBE pin to the low level maintains the system in this state.

- **State 11:**

The receiver is waiting for a valid ID. If an ID, or its complement, is detected, the state machine advances to state 12; otherwise, the circuit goes back to state 10 at the end of the RON time, if $STROBE \neq 1$.

- **State 12:**

An ID or its complement has been detected. The data manager is now waiting for a header or its complement. If neither a header, nor its complement, has been received before a time-out of 256 bits at data rate, the system returns to state 10.

- **State 13:**

A header, or its complement, has been received. Data and clock signals are output on the SPI port until EOM indicates the end of the data sequence. If the complement of the header has been received, output data are complemented also.

For all states: At any time, a low level applied to STROBE forces the circuit to state 10, and a low level applied on CONFB forces the state machine to state 1, configuration mode.

When an EOM occurs before the current byte is fully shifted out, dummy bits are inserted until the number of shifted bits is a multiple of 8.

[查询"MC33596"供应商](#)



SPI Master

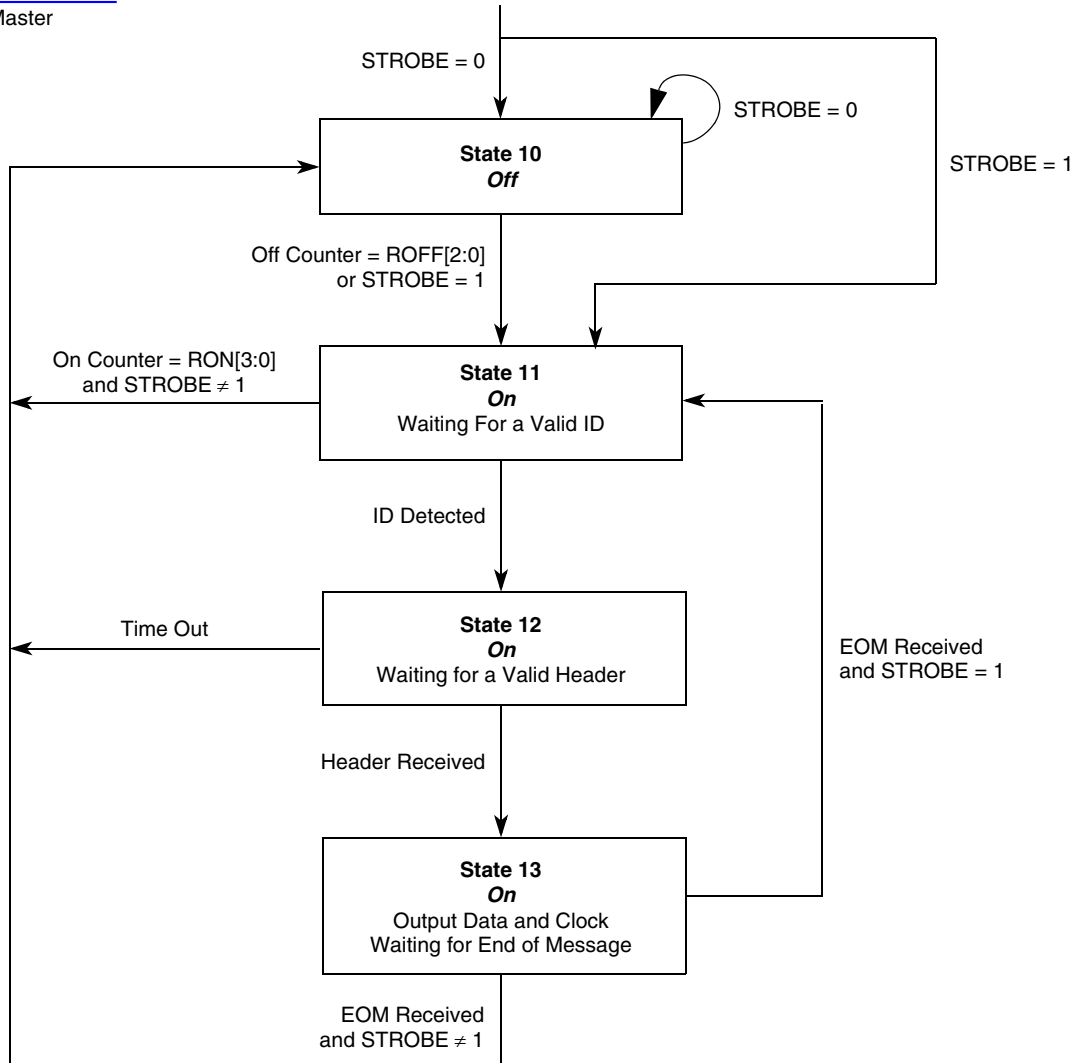


Figure 11. Receive Mode, DME = 1, SOE = 1

11.2.4.2 Data Manager Enabled and Receiver Controlled by Strobe Pin

Figure 12 shows the state diagram when the data manager is enabled and the strobe oscillator is disabled. In this configuration, the receiver is controlled only externally by the MCU.

Receive Mode

[查询"MC33596"供应商](#)

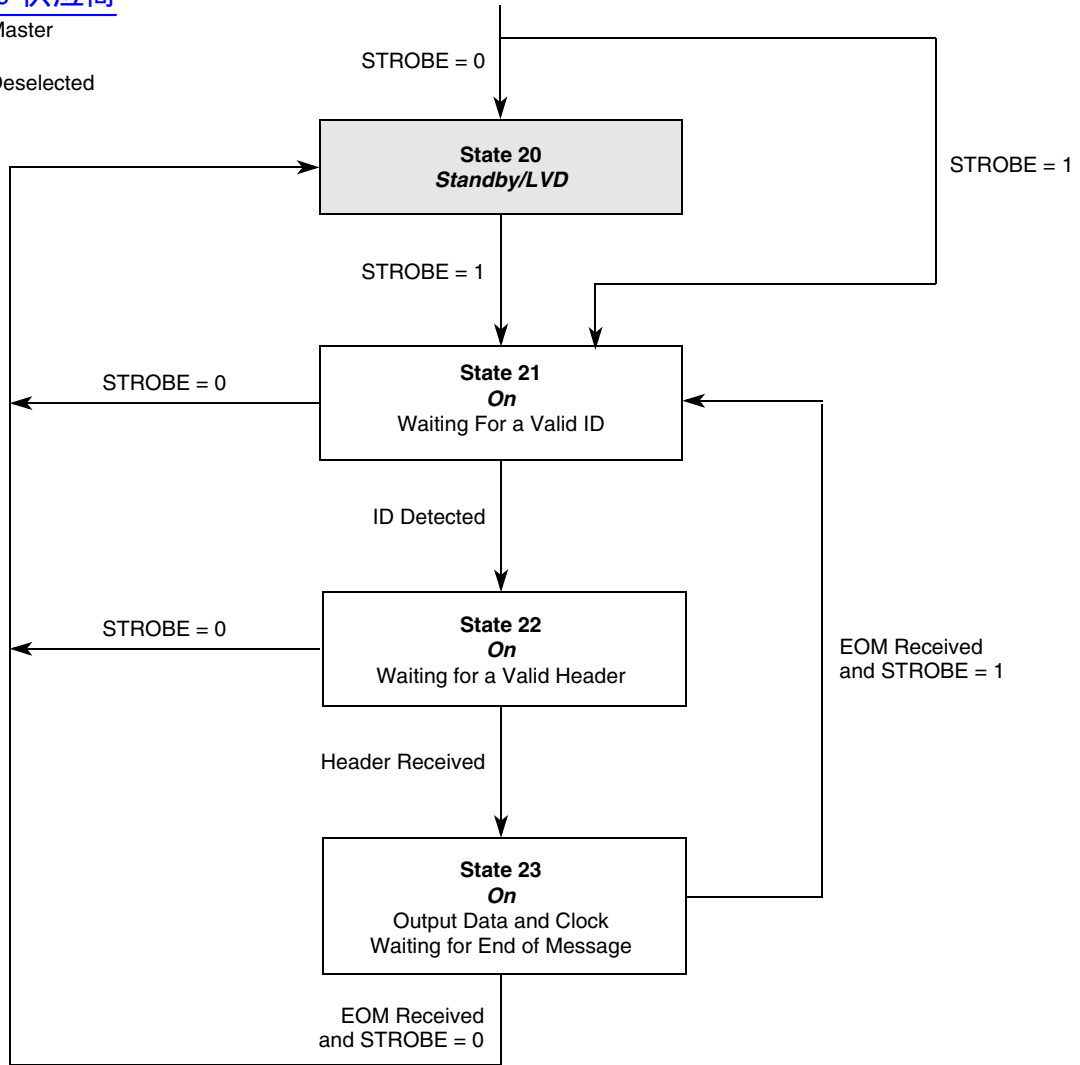
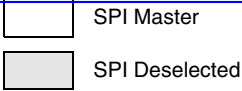


Figure 12. Receive Mode, DME = 1, SOE = 0

- **State 20:**
The receiver is in standby/LVD mode. For further information, see [Section 12, “Standby: LVD Mode.”](#) A high level applied to STROBE forces the circuit to state 21.
- **State 21:**
The circuit is waiting for a valid ID. If an ID, or its complement, is detected, the state machine advances to state 22; if not, the state machine will remain in state 21, as long as STROBE is high.
- **State 22:**
If a header, or its complement, is detected, the state machine advances to state 23. If not, the state machine will remain in state 22, as long as STROBE is high.
- **State 23:**
A header or its complement has been received; data and clock signals are output on the SPI port until an EOM indicates the end of the data sequence. If the complement of the header has been

[查询"MC33596"供应商](#)

received, output data are complemented also. When an EOM occurs before the current byte is fully shifted out, dummy bits are inserted until the number of shifted bits is a multiple of 8.

For all states: At any time, a low level applied to STROBE puts the circuit into state 20, and a low level applied to CONFB forces the state machine to state 1, configuration mode.

11.2.4.3 Timing Definition

As shown in Figure 13, a settling time is required when entering the on state.

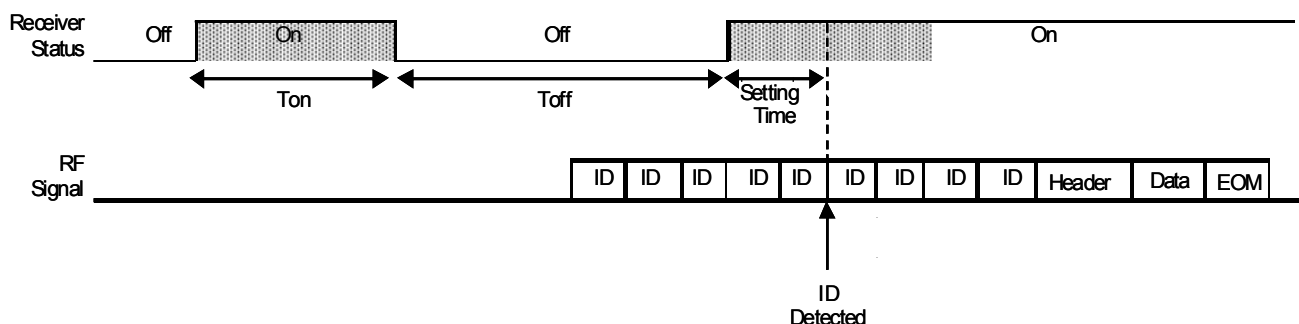


Figure 13. Receiver Usable Window

The goal for the receiver is to recognize at least one ID during Ton time. Many IDs are transmitted during that time.

During Ton, the receiver should be able to detect an ID, but as receiver and transmitter are not synchronized, an ID may already be transmitted when Ton time begins. That is the reason why Ton should be sized to receive two IDs: to be sure to recognize one, no matter what the time difference between beginning of transmission of the ID and beginning of run time for the receiver.

Ton should also include the setting time of the receiver. Setting time is composed of the crystal oscillator wakeup time¹, the PLL lock time², and setup of all analog parameters³ (AGC and demodulator need some time to settle).

Toff should be sized to allow the positioning of an on state during the transmission of the ID field.

During the setting time, no reception is possible.

11.3 Receiver On/Off Control

In receive mode, on/off sequencing can be controlled internally using the strobe oscillator, or managed externally by the MCU through the input pin STROBE.

If the strobe oscillator is selected (SOE = 1):

- Off time is clocked by the strobe oscillator
- On time is clocked by the crystal oscillator, enabling accurate control of the on time, and therefore of the current consumption of the whole system

1. Refer to parameter 5.10 found in [Section 19.4, "PLL & Crystal Oscillator."](#)

2. Refer to parameter 5.9 found in [Section 19.4, "PLL & Crystal Oscillator."](#)

3. Refer to preamble definition found in [Figure 9.](#)

Receive Mode

查询"MC33596"供应商

Each time is defined with the associated value found in the RXONOFF register.

- On time = $RON[3:0] \times 512 \times T_{digclk}$ (see Table 16; begins after the crystal oscillator has started)
- Off time = receiver off time = $N \times T_{Strobe} + \text{MIN}(T_{Strobe} / 2, \text{receiver on time})$, with N decoded from ROFF[2:0] (see Table 17)

The strobe oscillator is a relaxation oscillator in which an external capacitor C13 is charged by an internal current source (see Figure 46). When the threshold is reached, C13 is discharged and the cycle restarts. The strobe frequency is $F_{Strobe} = 1/T_{Strobe}$ with $T_{Strobe} = 10^6 \times C13$.

In receive mode, setting the STROBE pin to V_{CCIO} at any time forces the circuit on. As V_{CCIO} is above the oscillator threshold voltage, the condition on which the STROBE pin is set to V_{CCIO} is detected internally, and the oscillator pulldown circuitry is disabled. This limits the current consumption. After the STROBE pin is forced to high level, the external driver should pass via a "0" state to discharge the capacitor before going to high impedance state (otherwise, the on time would last a long time after the driver release).

When the strobe oscillator is running (i.e., during an off time), forcing the STROBE pin to V_{GND} stops the strobe clock, and therefore keeps the circuit off.

Figure 14 shows the associated timings.

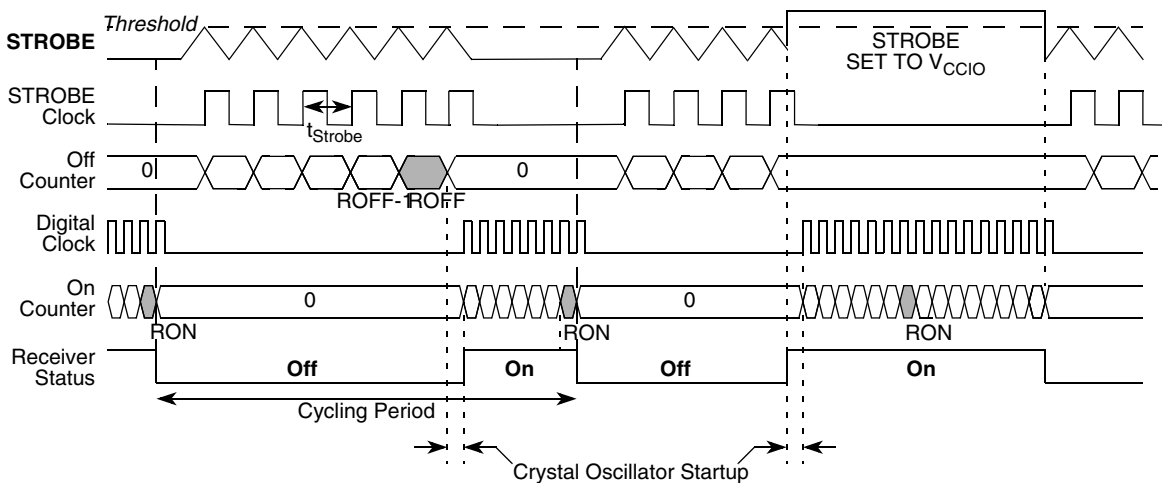


Figure 14. Receiver On/Off Sequence

11.4 Received Signal Strength Indicator (RSSI)

11.4.1 Module Description

In receive mode, a received signal strength indicator can be activated by setting bit RSSIE.

The input signal is measured at two different points in the receiver chain by two different means, as follows.

- At the IF filter output, a progressive compression logarithmic amplifier measures the input signal, ranging from the sensitivity level up to -50 dBm.

[查询"MC33596"供应商](#)

At the LNA output, the LNA AGC control voltage is used to monitor input signals in the range -50 dBm to -20 dBm.

Therefore, the logarithmic amplifier provides information relative to the in-band signal, whereas the LNA AGC voltage senses the input signal over a wider band.

The RSSI information given by the logarithmic amplifier is available in:

- Analog form on pin RSSIOUT
- Digital form in the four least significant bits of the status register RSSI

The information from the LNA AGC is available in digital form in the four most significant bits of status register RSSI.

The whole content of status register RSSI provides 2×4 bits of RSSI information about the incoming signal (see [Section 16.6, "RSSI Register"](#)).

[Figure 15](#) shows a simplified block diagram of the RSSI function.

The quasi peak detector (D1, R1, C1) has a charge time of about $20 \mu\text{s}$ to avoid sensitivity to spikes.

R2 controls the decay time constant of about 5 ms to allow efficient smoothing of the OOK modulated signal at low data rates. This time constant is useful in continuous mode when S2 is permanently closed.

To allow high-speed RSSI updating in peak pulse measurement, a discharge circuit (S1) is required to reset the measured voltage and to allow new peak detection.

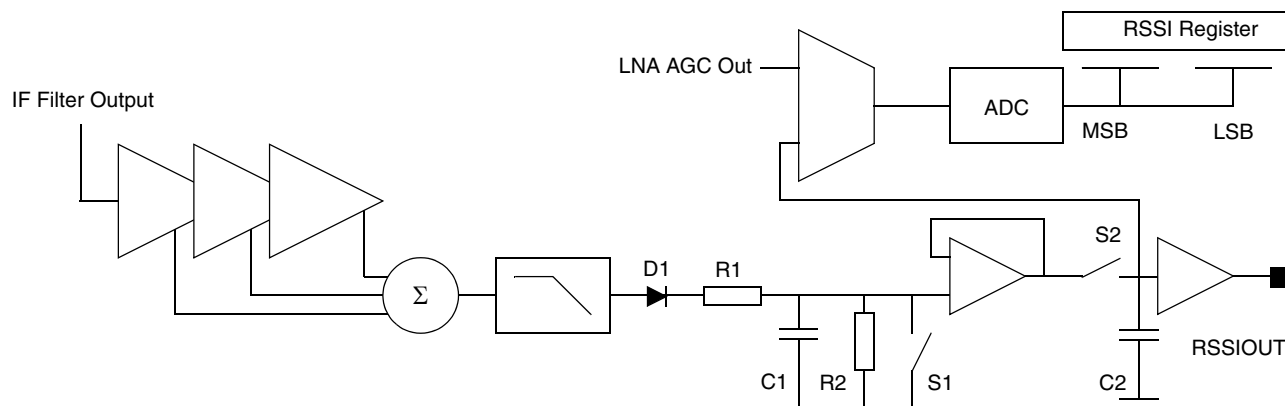


Figure 15. RSSI Simplified Block Diagram

S2 is used to sample the RSSI voltage to allow peak pulse measurement (S2 used as sample and hold), or to allow continuous transparent measurement (S2 continuously closed).

The 4-bit analog-to-digital convertor (ADC) is based on a flash architecture. The conversion time is $16 \times T_{\text{digclk}}$. As a single convertor is used for the two analog signals, the RSSI register content is updated on a $32 \times T_{\text{digclk}}$ timebase.

If RSSIE is reset, the whole RSSI module is switched off, reducing the current consumption. The output buffer connected to RSSIOUT is set to high impedance.

查询"MC33596"供应商
11.4.2 Operation

Two modes of operation are available: sample mode and continuous mode.

11.4.2.1 Sample Mode

Sample mode allows the peak power of a specific pulse in an incoming frame to be measured.

The quasi peak detector is reset by closing S1. After $7 \times T_{digclk}$, S1 is released. S2 is closed when RSSIC is set high. On the falling edge of RSSIC, S2 is opened. The voltage on RSSIOUT is sampled and held. The last RSSI conversion results are stored in the RSSI register and no further conversion is done.

The RSSI register is updated every $32 \times T_{digclk}$. Therefore, the minimum duration of the high pulse on RSSIC is $32 \times T_{digclk}$.

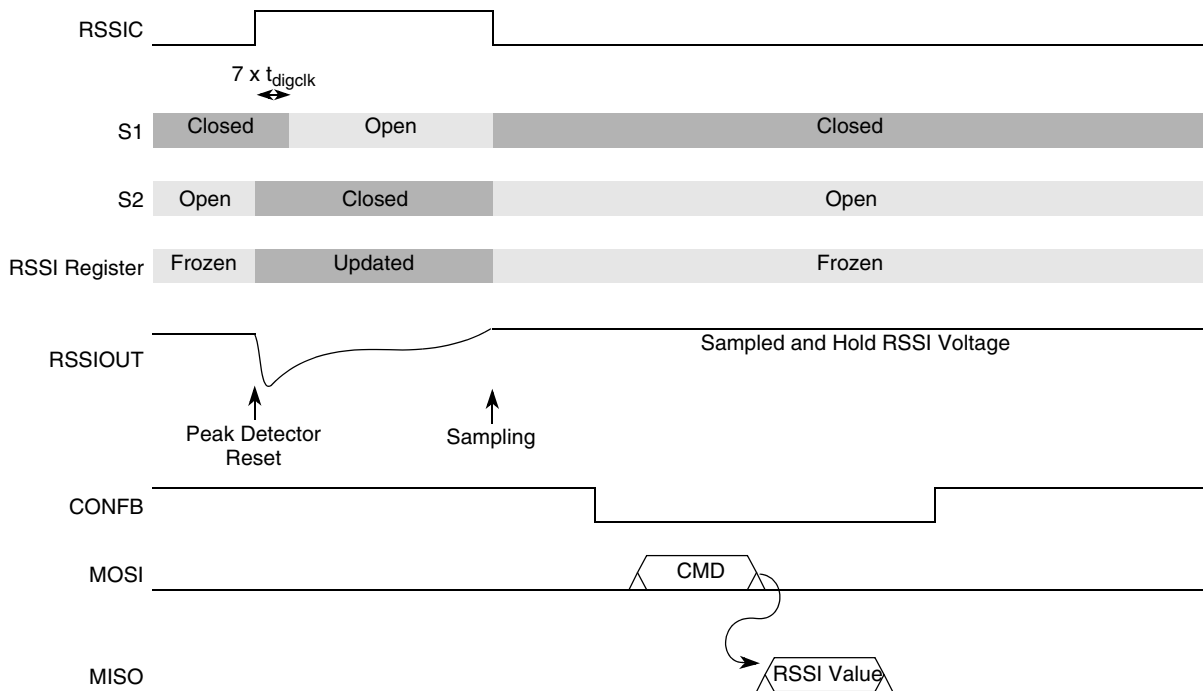


Figure 16. RSSI Operation in Sample Mode

11.4.2.2 Continuous Mode

Continuous mode is used to make a peak measurement on an incoming frame, without having to select a specific pulse to be measured.

The quasi peak detector is reset by closing S1. After $7 \times T_{digclk}$, S1 is opened. S2 is closed when RSSIC is set high. As long as RSSIC is kept high, S2 is closed, and RSSIOUT follows the peak value with a decay time constant of 5 ms.

The ADC runs continuously, and continually updates the RSSI register. Thus, reading this register gives the most recent conversion value, prior to the register being read. The minimum duration of the high pulse on CONFB is $32 \times T_{digclk}$.

[查询"MC33596"供应商](#)

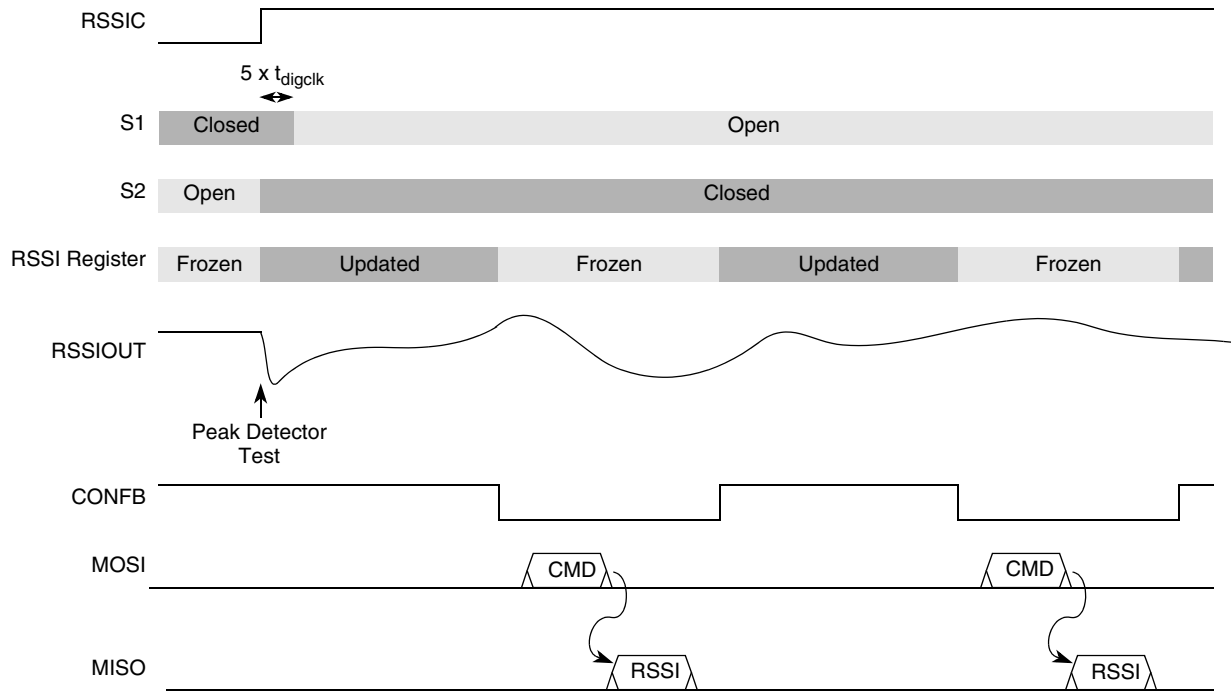


Figure 17. RSSI Operation in Continuous Mode

12 Standby: LVD Mode

The SPI is deselected. CONFB is set to high level and STROBE to low level in order to enter this mode. Nothing is sent and all incoming data are ignored until CONFB and SEB go low to switch back to configuration mode.

Standby/LVD mode allows minimum current consumption to be achieved. Depending upon the value of the LVDE bit, the circuit is in standby mode (state 60) or LVD mode (state 5 and 20).

LVDE = 0: The receiver is in standby; consumption is reduced to leakage current (current state after POR).

LVDE = 1: The LVD function is enabled; consumption is in the range of tens of microamperes.

The only way to exit this mode is to go back to configuration mode by applying a low level to CONFB and a high level to STROBE.

13 Configuration Mode

13.1 Description

This mode is used to write or read the internal registers of the MC33596.

As long as a low level is applied to CONFB and a high level to STROBE (see [Figure 2](#)), the MCU is the master node driving the SCLK input, the MOSI line input, and the MISO line output. Whatever the direction, SPI transfers are 8-bit based and always begin with a command byte, which is supplied by the MCU on MOSI. To be considered as a command byte, this byte must come after a falling edge on CONFB. [Figure 18](#) shows the content of the command byte.

	Bit 7	Bit 6	Bit 5	Bit 4	Bit 3	Bit 2	Bit 1	Bit 0
Bit Name	N1	N0	A4	A3	A2	A1	A0	R/W

Figure 18. Command Byte

Bits N[1:0] specify the number of accessed registers, as defined in [Table 7](#).

Table 7. Number N of Accessed Registers

N[1:0]	Number N of Accessed Registers
00	1
01	2
10	4
11	8

Bits A[4:0] specify the address of the first register to access. This address is then incremented internally by N after each data byte transfer.

R/W specifies the type of operation:

0 = Read

1 = Write

Thus, this bit is associated with the presence of information on MOSI (when writing) or MISO (when reading).

[Figure 19](#) and [Figure 20](#) show write and read operations in a typical SPI transfer. In both cases, the SPI is a slave. A received byte is considered internally on the eighth falling edge of SCLK. Consequently, the last received bits, which do not form a complete byte, are lost.

Refer to [Section 19.8, “Digital Interface Timing,”](#) to view the timing definition for SPI communication.

If several SPI accesses are done, a high and low level is applied to CONFB, and so on. By applying a high level to STROBE, the MC33596 never enters standby mode. If there is no way to configure the level on STROBE, the time interval between two SPI accesses must be less than one digital clock period T_{digclk} .

[查询"MC33596"供应商](#)

NOTE

A low level applied to CONFB and a high level to STROBE do not affect the configuration register contents.

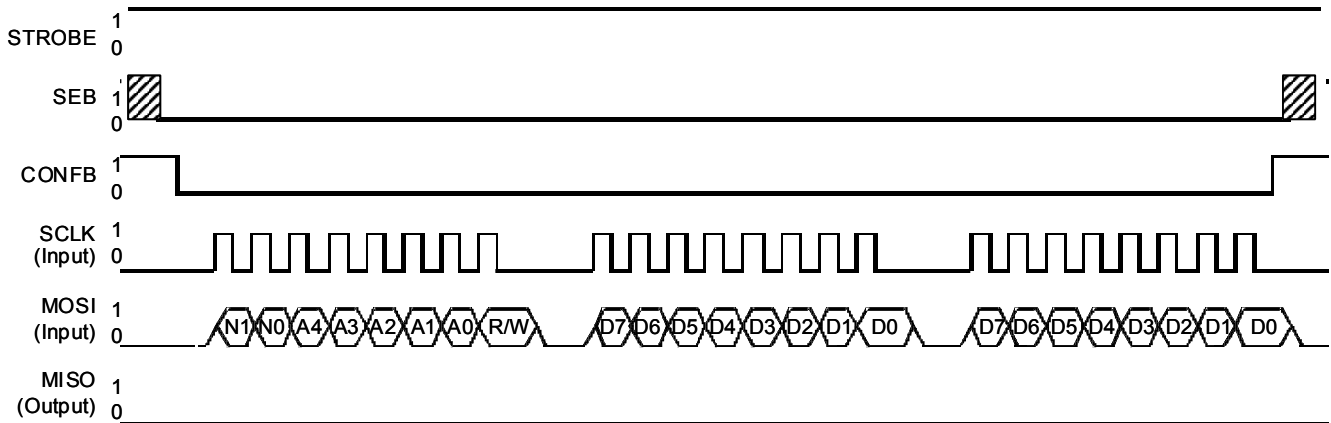


Figure 19. Write Operation in Configuration Mode (N[1:0] = 01)

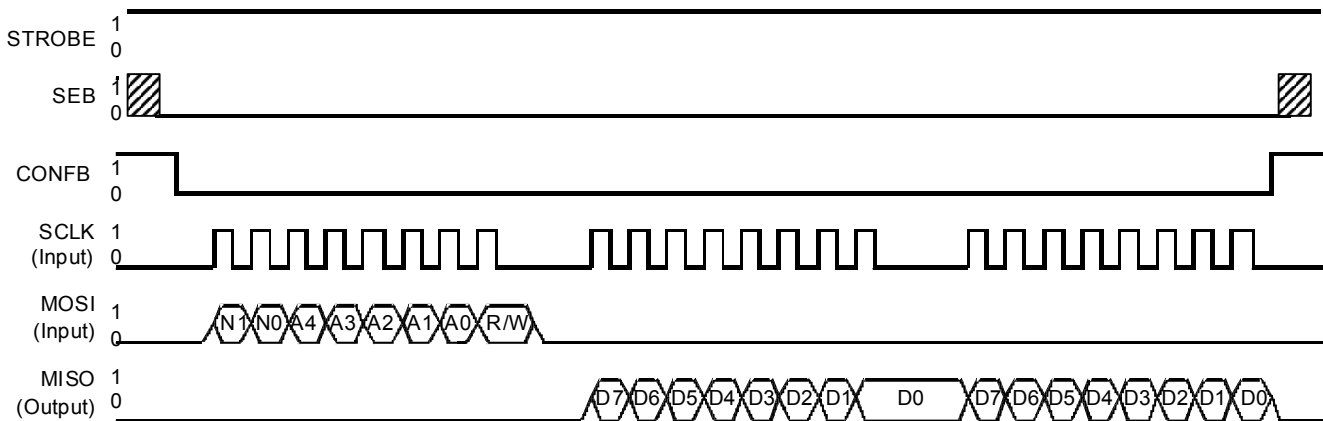


Figure 20. Read Operation in Configuration Mode (N[1:0] = 01)

13.2 State Machine

The configuration mode is selected by the microcontroller unit (MCU) to write to the internal registers (to configure the system) or to read them. In this mode, the SPI is a slave. The analog parts (receiver) remain in the state (on, off) they were in prior to entering configuration mode, until a new configuration changes them. In configuration mode, data can not be received. As long as a low level is applied to CONFB, the circuit stays in State 1, the only state in this mode.

Figure 21 describe the valid sequence for enabling a correct transition from Standby/LVD mode to configuration mode. SPI startup time corresponds to the addition of the crystal oscillator lock time (parameter 5.10) and the PLL lock time (parameter 5.9).

Power-On Reset and MC33596 Startup

[查询"MC33596"供应商](#)



Figure 21. Valid Sequence from Standby/LVD Mode to Configuration Mode

Figure 22 describes the sequence for enabling a correct transition from receive mode to configuration mode.

1. MC33596 is in receive mode.
2. CONFB is forced to low level during one digital period T_{digclk} in order to reset the state machine only.
3. CONFB is set to high level during the time length of an ID.

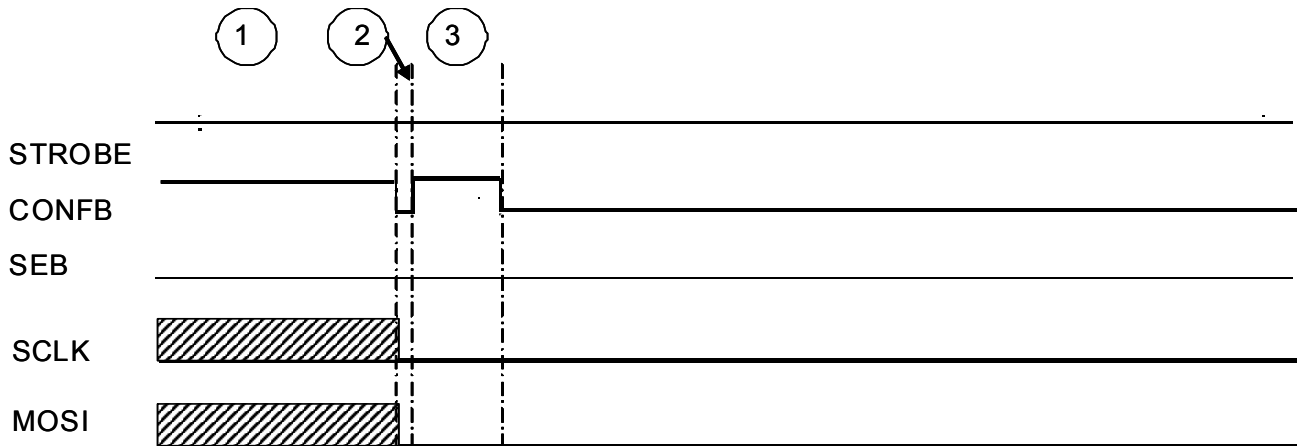


Figure 22. Valid Sequence from Receive Mode to Configuration Mode

14 Power-On Reset and MC33596 Startup

The startup sequence can be divided into three stages as defined in Figure 23:

1. The power supply is applied to the MC33596 and an external pullup resistor on CONFB is required to enter standby mode. SEB can be either set to low level if the SPI access is not shared with another external MCU, or connected to an external pullup resistor (see Section 9, “MCU Interface”).

During this stage and during the ramp-up of the power supply, signals from the MCU connected to the MC33596 are undefined. That is why the MC33596 must start in standby mode.

NOTE

Along with the ramp-up of power supply, one of these two conditions must be complied with:

- Power supply of the MC33596 must rise in 1 ms from 0 V to 3 V.
- The level on STROBE pin is lower than 0.75 V until the power supply reaches 3 V.

[查询"MC33596"供应商](#)

Proposed solutions to verify these conditions are :

- If the receiver does not wake periodically and it is only controlled by the STROBE pin (strobe oscillator disable SOE = 0), an external pulldown resistor on STROBE is required (see [Figure 43](#) for a 3 V application schematic).
 - If the receiver wakes periodically (strobe oscillator enable SOE = 1), the state of the MCU pins must be defined first and then a power supply must be applied to the MC33596. A transistor can be used to control the power supply on the VCCIN pin of the MC33596. This transistor will be driven by an MCU I/O (see [Figure 44](#) for a 3 V application schematic in strobe oscillator mode).
2. A high level is applied on STROBE in order to wake the MC33596 and enter receive mode. The duration of this state should be greater than the sum of lock time parameter 5.9 and 5.10. Refer to [Section 13](#), “[Configuration Mode](#).”
 3. CONFB and SEB must be forced to low level to enter configuration mode. Register values are written into the internal registers of the MC33596. Refer to [Section 13](#), “[Configuration Mode](#),” and to [Figure 41](#).

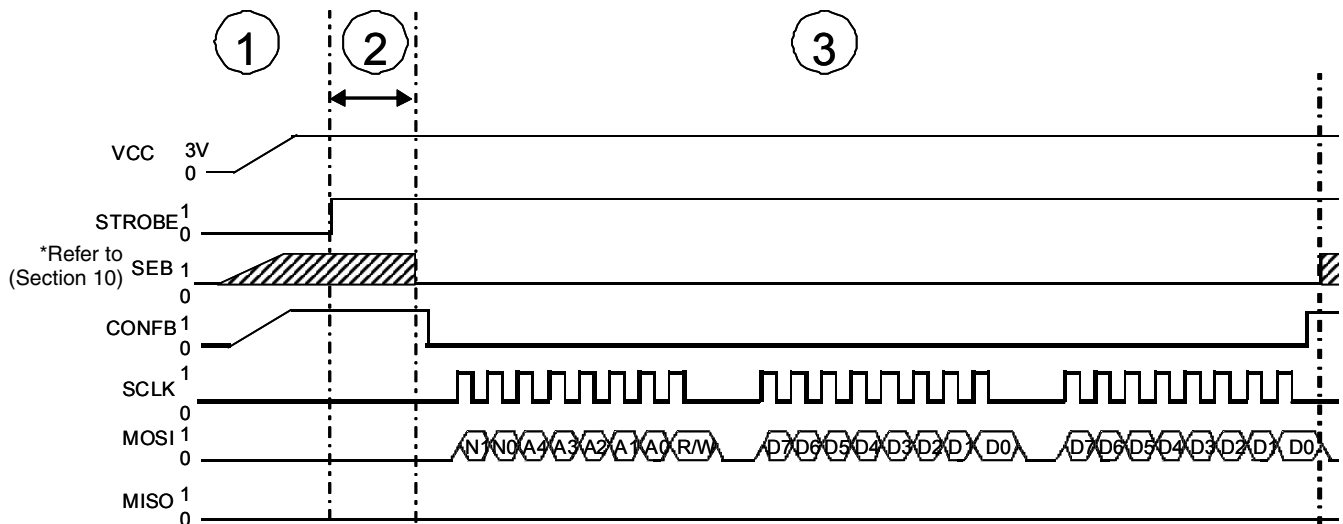


Figure 23. Startup sequence

15 Configuration Switching

This feature allows for defining two different configurations using two different banks, and for switching them automatically during wakeup when using a strobe oscillator, or by means of the strobe pin actuation by the MCU. This automatic feature may be used only in receiver mode; thus allowing fast switching between any different possible configurations.

15.1 Bit Definition

Two sets of configuration registers are available. They are grouped in two different banks: Bank A and Bank B. Two bits are used to define which bank represents the state of the component.

Configuration Switching

[查询"MC33596"供应商](#)

Bit Name	Direction	Location
BANKA	R/W	Bank A
BANKB	R/W	Bank B

BANKA	BANKB	Actions
X	0	Bank A is active
0	1	Bank B is active
1	1	Bank A and Bank B are active and will be used one after the other

At any time, it is possible to know which is the active bank by reading the status bit BANKS.

Bit Name	Direction	Location	Comment
BANKS	R	A & B	Bank status: indicates which register bank is active. This bit, available in Bank A and Bank B, returns the same value.

[查询"MC33596"供应商](#)

15.1.1 Direct Switch Control

The conditions to enter direct switch control are:

- Strobe pin = V_{CC}
- SOE bit = 0

By simply writing BANKA and BANKB, the active bank will be defined:

BANKA	BANKB	
X	0	Bank A is active
0	1	Bank B is active
1	1	Not allowed in direct switch control

The defined bank is active after exiting the configuration mode, in other words, CONFB line goes high.

The direct switch control should be used when:

- When the strobe oscillator cannot be used to define the switch timing (for example, not periodic)
- When strobe pin use is not possible (no sleep mode between the two configurations)
- No automatic switching is required and MCU SPI access is possible

15.1.2 Strobe Pin Switch Control

The conditions to enter strobe pin switch control are:

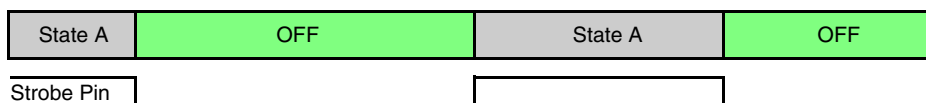
- Strobe pin: controlled by MCU I/O port
- SOE bit = 0

By simply writing BANKA and BANKB, the active banks will be defined.

BANKA	BANKB	
X	0	Bank A is active
0	1	Bank B is active
1	1	Bank A and Bank B are both active, configuration will toggle at each wakeup

The strobe pin will control the off/on state of the MC33596. The various available sequences are described in the following subsections.

15.1.2.1 BANKA = X, BANKB = 0



If strobe pin is 1, configuration is defined by Bank A, BANKS = 1.

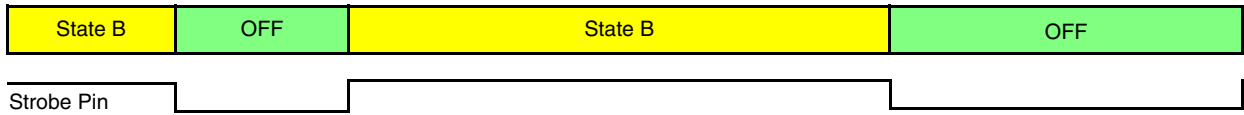
If strobe pin is 0, MC33596 configuration is OFF.

If a message is received during State A, current state remains State A up to end of message.

Configuration Switching

查询"MC33596"供应商

15.1.2.2 BANKA = 0, BANKB = 1

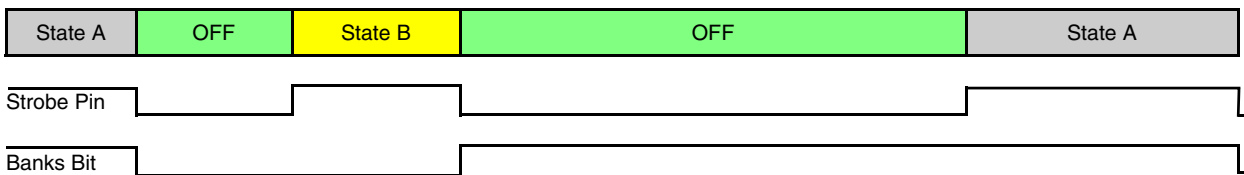


If strobe pin is 1, configuration is defined by Bank B, BANKS = 0.

If strobe pin is 0, MC33596 configuration is OFF.

If a message is received during State B, current state remains State B up to end of message.

15.1.2.3 BANKA = 1, BANK B = 1



If strobe pin is 1, configuration is defined by BANKS. BANKS is toggled at each falling edge of the strobe pin.

If strobe pin is 0, MC33596 configuration is OFF.

If a message is received during state A or state B, current state remains the same up to end of message.

If a read or write access is done using SPI, the next sequence will begin with state A whatever was the active state before SPI access by MCU.

15.1.3 Strobe Oscillator Switch Control

The conditions to enter strobe oscillator switch control are:

- Strobe pin connected to an external capacitor to define timing (see [Section 11.3, “Receiver On/Off Control”](#))
- Strobe pin can also be connected to the MCU I/O port
- SOE bit = 1

By simply writing BANKA and BANKB, the active banks will be defined.

BANKA	BANKB	
X	0	Bank A is active
0	1	Bank B is active
1	1	Bank A and Bank B are both active, configuration will toggle at each wakeup

The MCU can override strobe oscillator control by controlling the strobe pin level. If MCU I/O port is in high impedance, the strobe oscillator will control the OFF/ON state of the MC33596. The various available sequences are described in the following subsections.

查询"MC33596"供应商

15.1.3.1 BANKA = X, BANKB = 0



If strobe pin is 1, configuration is defined by Bank A, BANKS = 1.

If strobe pin is 0, MC33596 configuration is OFF.

If a message is received during State A, current state remains State A up to end of message.

15.1.3.2 BANKA = 0, BANKB = 1

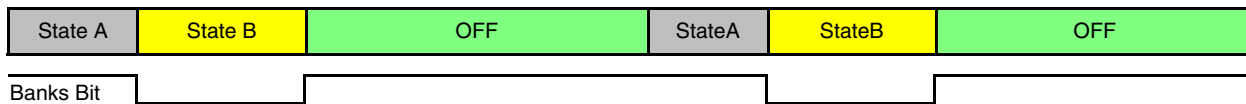


If strobe pin is 1, configuration is defined by Bank B, BANKS = 0.

If strobe pin is 0, MC33596 configuration is OFF.

If a message is received during State B, current state remains State B up to end of message.

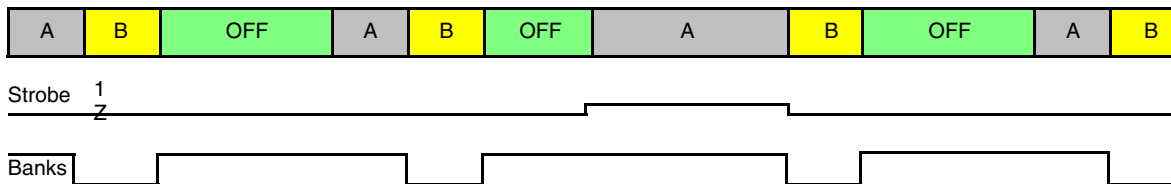
15.1.3.3 BANKA = 1, BANK B = 1



BANKS toggles at the end of each state A or state B.

If strobe is forced to 1, configuration is frozen according to BANKS value.

If a read or write access is done using SPI, the next sequence will begin with state A in whatever was the active state before SPI access by MCU.



For all available sequences:

- State A and State B are defined by Bank A and Bank B.
- State A duration, TonA is defined by Bank A RON[3–0].
- State B duration, TonB is defined by Bank B RON[3–0].
- OFF duration, TonB is defined by Bank A ROFF[2–0].
- If strobe pin is 1, the state is ON and defined by BANKS at that time. It remains this state up to the release of strobe and end of message if a message is being received.
- If a message is being received during State A or B, current state remains State A or B up to end of message.

Register Description

[查询"MC33596"供应商](#)

- If strobe pin is 0 the state is OFF.
- If strobe pin is released from 0 while state is OFF, the initial OFF period is completed.

The change of duration of one state (due to the STROBE pin level or a message being received) has no influence on the timing of the following states (A, B, or OFF).

16 Register Description

This section discusses the internal registers, which are composed of two classes of bits.

- Configuration and command bits allow the MC33596 to operate in a suitable configuration.
- Status bits report the current state of the system.

All registers can be accessed by the SPI. These registers are described below.

At power-on, the POR resets all registers to a known value (in the shaded rows in the following tables). This defines the MC33596's default configuration.

16.1 Configuration Registers (Description Bank A only)

Figure 24 describes configuration register 1, CONFIG1.

	Bit 7	Bit 6	Bit 5	Bit 4	Bit 3	Bit 2	Bit 1	Bit 0	Addr
Bit Name	LOF1	LOF0	CF1	CF0	RESET	SL	LVDE	CLKE	\$00
Reset Value	1	0	0	1	0	0	0	1	
Access	R/W	R/W	R/W	R/W	R/W	R/W	R/W	R/W	

Figure 24. CONFIG1 Register

Table 8. LOF[1:0] and CF[1:0] Setting Versus Carrier Frequency

Carrier Frequency	LOF1	LOF0	CF1	CF0
304 MHz	0	0	0	0
315 MHz	1	0	0	0
426 MHz	0	1	0	1
434 MHz	0	1	0	1
868 MHz	0	1	1	1
915 MHz	1	1	1	1

RESET is a global reset. The bit is cleared internally, after use.

0 = no action

1 = reset all registers and counters

SL (Switch Level) selects the active level of the SWITCH output pin.

[查询"MC33596"供应商](#)**Table 9. Active Level of SWITCH Output Pin**

SL	Receiver Function	Level on SWITCH
0	Receiving	Low
	—	High
1	—	Low
	Receiving	High

LVDE (Low Voltage Detection Enable) enables the low voltage detection function.

0 = disabled

1 = enabled

NOTE

This bit is cleared by POR. In the event of a complete loss of the supply voltage, LVD is disabled at power-up, but the information is not lost as the status bit LVDS is set by POR.

CLKE (Clock Enable) controls the DATACLK output buffer.

0 = DATACLK remains low

1 = DATACLK outputs $F_{dataclk}$

Figure 25 describes configuration register 2, CONFIG2.

	Bit 7	Bit 6	Bit 5	Bit 4	Bit 3	Bit 2	Bit 1	Bit 0	Addr
Bit Name	DSREF	FRM	MODU	DR1	DR0	TRXE	DME	SOE	\$01
Reset Value	0	0	0	1	0	0	0	0	
Access	R/W	R/W	R/W	R/W	R/W	R/W	R/W	R/W	

Figure 25. CONFIG2 Register

DSREF (Data Slicer Reference) selects the data slicer reference.

0 = Fixed reference (cannot be used in FSK)

1 = Adaptive reference (recommended for maximum sensitivity in OOK and FSK)

In the case of FSK modulation (MODU = 1), DSREF must be set.

FRM (Frequency Register Manager) enables either a user friendly access or a direct access to one frequency register.

0 = The carrier frequency is defined by the F register

1 = The local oscillator frequency is defined by the F register.

MODU (Modulation) sets the data modulation type.

0 = On/Off Keying (OOK) modulation

1 = Frequency Shift Keying (FSK) modulation

DR[1:0] (Data Rate) configure the receiver blocks operating in base band.

- Low-pass data filter

Register Description

[查询"MC33596"供应商](#)

- Low-pass average filter generating the data slicer reference, if DSREF is set
- Data manager

Table 10. Base Band Parameter Configuration

DR1	DR0	Data Filter Cut-off Frequency	Average Filter Cut-off Frequency	Data Manager Data Rate Range
0	0	6 kHz	0.5 kHz	2–2.8 kBd
0	1	12 kHz	1 kHz	4–5.6 kBd
1	0	24 kHz	2 kHz	8–10.6 kBd
1	1	48 kHz	4 kHz	16–22.4 kBd

If the data manager is disabled, the incoming signal data rate must be lower than or equal to the data manager maximum data rate.

TRXE (Receiver Enable) enables the whole receiver. This bit must be set to high level if MCU wakes the MC33956 to enter receive mode.

0 = standby mode

1 = other modes can be activated

DME (Data Manager Enable) enables the data manager.

0 = disabled

1 = enabled

SOE (Strobe Oscillator Enable) enables the strobe oscillator.

0 = disabled

1 = enabled

Figure 26 describes configuration register 3, CONFIG3.

	Bit 7	Bit 6	Bit 5	Bit 4	Bit 3	Bit 2	Bit 1	Bit 0	Addr
Bit Name	AFF1	AFF0	OLS	LVDS	ILA1	ILA0	—	—	\$02
Reset Value	0	0	1	1	0	0	0	0	
Access	R/W	R/W	R	R	R/W	R/W	—	—	

Figure 26. CONFIG3 Register

OLS (Out of Lock Status) indicates the current status of the PLL.

0 = The PLL is in lock-in range

1 = The PLL is out of lock-in range

LVDS (Low Voltage Detection Status) indicates that a low voltage event has occurred when LVDE = 1. This bit is read-only and is cleared after a read access.

0 = No low voltage detected

1 = Low voltage detected

ILA[1:0] (Input Level Attenuation) define the RF input level attenuation.

[查询"MC33596"供应商](#)

Table 11. RF Input Level Attenuation

ILA1	ILA0	RF Input Level Attenuation	See Parameter Number
0	0	0 dB	2.5
0	1	8 dB	2.6
1	0	16 dB	2.7
1	1	30 dB	2.8

Values in [Table 11](#) assume the LNA gain is not reduced by the AGC.

AFF[1:0] (Average Filter Frequency) define the average filter cut-off frequency if the AFFC bit is set.

Table 12. Average Filter Cut-off Frequency

AFF1	AFF0	Average Filter Cut-off Frequency
0	0	0.5 kHz
0	1	1 kHz
1	0	2 kHz
1	1	4 kHz

If AFFC is reset, the average filter frequency is directly defined by bits DR[1:0], as shown in [Table 10](#).

If AFFC is set, AFF[1:0] allow the overall receiver sensitivity to be improved by reducing the average filter cut-off frequency. The typical preamble duration of three Manchester zeroes or ones at the data rate must then be increased, as shown in [Table 13](#).

Table 13. Minimum Number of Manchester Symbols in Preamble versus DR[1:0] and AFF[1:0]

		DR[1:0]			
		00	01	10	11
AFF[1:0]	00	3	6	12	24
	01	—	3	6	12
	10	—	—	3	6
	11	—	—	—	3

16.2 Command Register

[Figure 27](#) describes the Command register, COMMAND.

Register Description

[查询"MC33596"供应商](#)

	Bit 7	Bit 6	Bit 5	Bit 4	Bit 3	Bit 2	Bit 1	Bit 0	Addr
Bit Name	AFFC	IFLA	—	RSSIE	EDD	RAGC	FAGC	BANKS	\$03
Reset Value	0	0	0	0	1	0	0	1	
Access	R/W	R/W	—	R/W	R/W	R/W	R/W	R	

Figure 27. COMMAND Register

AFFC (Average Filter Frequency Control) enables direct control of the average filter cut-off frequency.

0 = Average filter cut-off frequency is defined by DR[1:0]

1 = Average filter cut-off frequency is defined by AFF[1:0]

IFLA (IF Level Attenuation) controls the maximum gain of the IF amplifier in OOK modulation.

0 = No effect

1 = Decreases by 20 dB (typical) the maximum gain of the IF amplifier, in OOK modulation only

The reduction in gain can be observed if the IF amplifier AGC system is disabled (by setting RAGC = 1).

RSSIE (RSSI Enable) enables the RSSI function.

0 = Disabled

1 = Enabled

EDD (Envelop Detector Decay) controls the envelop detector decay.

0 = Slow decay for minimum ripple

1 = Fast decay

RAGC (Reset Automatic Gain Control) resets both receiver internal AGCs.

0 = No action

1 = Sets the gain to its maximum value

A first SPI access allows RAGC to be set; a second SPI access is required to reset it.

FAGC (Freeze Automatic Gain Control) freezes both receiver AGC levels.

0 = No action

1 = Holds the gain at its current value

BANKS indicates which register bank is active. This bit, available in Bank A and Bank B, returns the same value.

0 = Bank B

1 = Bank A

16.3 Frequency Register

Figure 28 defines the Frequency register, F.

[查询"MC33596"供应商](#)

	Bit 15	Bit 14	Bit 13	Bit 12	Bit 11	Bit 10	Bit 9	Bit 8	Addr
Bit Name	—	—	—	—	F11	F10	F9	F8	\$04
Reset Value	0	1	0	0	1	0	0	0	
	Bit 7	Bit 6	Bit 5	Bit 4	Bit 3	Bit 2	Bit 1	Bit 0	
Bit Name	F7	F6	F5	F4	F3	F2	F1	F0	\$05
Reset Value	0	0	0	0	0	0	0	0	

Figure 28. F Register

How this register is used is determined by the FRM bit, which is described below.

FRM = 0 (User Friendly Access)

Bits F[11:0] define the carrier frequency F_{carrier} . The local oscillator frequency F_{LO} is then set automatically to $F_{\text{carrier}} + F_{\text{IF}}$ (with F_{IF} = intermediate frequency).

FRM = 1 (Direct Access)

F[11:0] defines the receiver local oscillator frequency F_{LO}

Table 14 defines the value to be binary coded in the frequency registers F[11;0], versus the desired frequency value F (in Hz).

Table 14. Frequency Register Value versus Frequency Value F

CF[1:0]	Frequency Register Value
00, 01	$(2 \times F/F_{\text{ref}} - 35) \times 2048$
11	$(F/F_{\text{ref}} - 35) \times 2048$

Conversely, Table 15 gives the desired frequency F and the frequency resolution versus the value of the frequency registers F[11;0].

Table 15. Frequency Value F versus Frequency Register Value

CF[1:0]	Frequency (Hz)	Frequency Resolution (Hz)
00, 01	$(35 + F[11;0]/2048) \times F_{\text{ref}}/2$	$F_{\text{ref}}/4096$
11	$(35 + F[11;0]/2048) \times F_{\text{ref}}$	$F_{\text{ref}}/2048$

16.4 Receiver On/Off Duration Register

Figure 29 describes the receiver on/off duration register, RXONOFF.

	Bit 7	Bit 6	Bit 5	Bit 4	Bit 3	Bit 2	Bit 1	Bit 0	Addr
Bit Name	BANKA	RON3	RON2	RON1	RON0	ROFF2	ROFF1	ROFF0	\$09
Reset Value	0	1	1	1	1	1	1	1	
Access	R/W	R/W	R/W	R/W	R/W	R/W	R/W	R/W	

Figure 29. RXONOFF Register

Register Description

[查询"MC33596"供应商](#)
 BANKA defines the register bank selected, as described in [Section 15, “Configuration Switching.”](#)
 RON[3:0] (Receiver On) define the receiver on time (after crystal oscillator startup) as described in [Section 11.3, “Receiver On/Off Control.”](#)

Table 16. Receiver On Time Definition

RON[3:0]	Receiver On Time: $N \times 512 \times T_{\text{digclk}}$
0000	Forbidden value
0001	1
0010	2
...	...
1111	15

ROFF[2:0] (Receiver Off) define the receiver off time as described in [Section 11.3, “Receiver On/Off Control.”](#)

Table 17. Receiver Off Time Definition

ROFF[2:0]	Receiver Off Time: $N \times T_{\text{Strobe}}$
000	1
001	2
010	4
011	8
100	12
101	16
110	32
111	63

16.5 ID and Header Registers

[Figure 30](#) defines the ID register, ID.

	Bit 7	Bit 6	Bit 5	Bit 4	Bit 3	Bit 2	Bit 1	Bit 0	Addr
Bit Name	IDL1	IDL0	ID5	ID4	ID3	ID2	ID1	ID0	\$0A
Reset Value	1	1	0	0	0	0	0	0	
Access	R/W	R/W	R/W	R/W	R/W	R/W	R/W	R/W	

Figure 30. ID Register

IDL[1:0] (Identifier Length) sets the length of the identifier, as shown on [Table 18](#).

[查询"MC33596"供应商](#)

Table 18. ID Length Selection

IDL1	IDL0	ID Length
0	0	2 bits
0	1	4 bits
1	0	5 bits
1	1	6 bits

ID[5:0] (Identifier) sets the identifier. The ID is Manchester coded. Its LSB corresponds to the register's LSB, whatever the specified length.

Figure 31 defines the Header register, HEADER.

	Bit 7	Bit 6	Bit 5	Bit 4	Bit 3	Bit 2	Bit 1	Bit 0	Addr
Bit Name	HDL1	HDL0	HD5	HD4	HD3	HD2	HD1	HD0	\$0B
Reset Value	1	0	0	0	0	0	0	0	
Access	R/W	R/W	R/W	R/W	R/W	R/W	R/W	R/W	

Figure 31. HEADER Register

HDL[1:0] (Header Length) sets the length of the header, as shown on Table 19.

Table 19. Header Length Selection

HDL1	HDL0	HD Length
0	0	1 bits
0	1	2 bits
1	0	4 bits
1	1	6 bits

HD[5:0] (Header) sets the header. The header is Manchester coded. Its LSB corresponds to the register's LSB, whatever the specified length.

16.6 RSSI Register

Figure 32 describes the RSSI Result register, RSSI.

	Bit 7	Bit 6	Bit 5	Bit 4	Bit 3	Bit 2	Bit 1	Bit 0	Addr
Bit Name	RSSI7	RSSI6	RSSI5	RSSI4	RSSI3	RSSI2	RSSI1	RSSI0	\$0C
Reset Value	0	0	0	0	0	0	0	0	
Access	R	R	R	R	R	R	R	R	

Figure 32. RSSI Register

Bits RSSI[7:4] contain the result of the analog-to-digital conversion of the signal measured at the LNA output.

[查询"MC33596"供应商](#)
 Bits RSSI[3:0] contain the result of the analog-to-digital conversion of the signal measured at the IF filter output.

17 Bank Access and Register Mapping

Registers are physically mapped following a byte organization. The possible address space is 32 bytes. The base address is specified in the command byte. This is then incremented internally to address each register, up to the number of registers specified by N[1:0], also specified by this command byte. All registers can then be scanned, whatever the type of transmission (read or write); however, writing to read-only bits or registers has no effect. When the last implemented address is reached, the internal address counter automatically loops back to the first mapped address (\$00).

At any time, it is possible to write or read the content of any register of Bank A and Bank B. Register access is defined as follows:

- R/W Bit can be read and written.
- R Bit can be read. Write has no effect on bit value.
- RR Bit can be read. Read or write resets the value.
- R [A] Bit can be read. This returns the same value as Bank A.
- RR [A] Bit can be read. This returns the same value as Bank A. Read or write resets the value.

Table 20. Access to Specific Bits

Bit	Bank	Byte	Access	Comment
RESET	A	CONFIG1	R/W	Available in BANKA.
OLS	A, B	CONFIG3	R-R[A]	Bit value is the real time status of the PLL, BANKA, and BANKB access reflect the same value.
LDVS	A, B	CONFIG3	RR-RR[A]	Bit value is the latched value of the low-voltage detector. Read or write from any bank resets value.
SOE	A, B	CONFIG2	R/W-R[A]	SOE can be modified in BANKA. Access from BANKB reflects BANKA value.
RSSIx	A, B	RSSI	R-R[A]	RSSI value is directly read from RSSI converter. Reflected value is the same whatever the active byte.

[查询"MC33596"供应商](#)

00h CONFIG1-A		91h		00h CONFIG1-B		91h		
Bit Name	LOF1	LOF0	CF1	CF0	RESET	SL	LVDE	CLKE
Reset Value	1	0	0	1	0	0	0	1
0 =	R/W	R/W	R/W	R/W	R/W	R	R/W	R/W
1 =	304-434	304-315	315-434	314	No	T/R	No	No
	315-916	434-916	868	434-868	Yes	R/T	Yes	Yes
01h CONFIG2-A		10h		0Eh CONFIG2-B		10h		
Bit Name	DSREF	FRM	MODU	DR1	DR0	TRXE	DME	SOE
Reset Value	0	0	0	1	0	0	0	0
0 =	R/W	R/W	R/W	R/W	R/W	R/W	R/W	R/W
1 =	Fixed	Friendly	OOK	2.4-4.8	2.4-9.6	Standby	No	No
	Adaptive	Direct	FSK	9.6-19.2	4.8-19.2	Enable	Yes	Yes
02h CONFIG3-A		30h		0Fh CONFIG3-B		30h		
Bit Name	AFF1	AFF0	OLS	LVDS	ILA1	ILA0	—	—
Reset Value	0	0	1	1	0	0	0	0
0 =	R/W	R/W	R	RR	R/W	R/W	R/W	R/W
1 =	0.5-1 kHz	0.5-2 kHz	RAS	0-8 dB	0-14 dB	0-8 dB	0-8 dB	0-14 dB
	2-4 kHz	1-4 kHz	Unlocked	Low V	14-24 dB	8-24 dB	14-24 dB	8-24 dB
03h COMMAND-A		9h		10h COMMAND-B		9h		
Bit Name	AFFC	IFLA	—	RSSIE	EDD	RAGC	FAGC	BANKS
Reset Value	0	0	0	1	0	0	0	1
0 =	R/W	R/W	R/W	R/W	R/W	R/W	R/W	R
1 =	AFFx ON	-20 dB	TX	Yes	Fast dec.	Yes	Yes	A Bank
04h F1-A		48h		11h F1-B		4800h		
Bit Name	—	—	—	—	F11	F10	F9	F8
Reset Value	0	1	0	0	1	0	0	0
0 =	R/W	R/W	R/W	R/W	R/W	R/W	R/W	R/W
1 =	0h	0h	0h	0h	0h	0h	0h	0h
05h F2-A		0h		12h F2-B		0h		
Bit Name	F7	F6	F5	F4	F3	F1	F1	F0
Reset Value	0	0	0	0	0	0	0	0
0 =	R/W	R/W	R/W	R/W	R/W	R/W	R/W	R/W
1 =	0h	0h	0h	0h	0h	0h	0h	0h

00h CONFIG1-A		91h		00h CONFIG1-B		91h		
Bit Name	LOF1	LOF0	CF1	CF0	RESET	SL	LVDE	CLKE
Reset Value	1	0	0	1	0	0	0	1
0 =	R/W	R/W	R/W	R/W	R/W	R	R/W	R/W
1 =	304-434	304-315	315-434	314	No	T/R	No	No
	315-916	434-916	868	434-868	Yes	R/T	Yes	Yes
01h CONFIG2-A		10h		0Eh CONFIG2-B		10h		
Bit Name	DSREF	FRM	MODU	DR1	DR0	TRXE	DME	SOE
Reset Value	0	0	0	1	0	0	0	0
0 =	R/W	R/W	R/W	R/W	R/W	R/W	R/W	R/W
1 =	Fixed	Friendly	OOK	2.4-4.8	2.4-9.6	Standby	No	No
	Adaptive	Direct	FSK	9.6-19.2	4.8-19.2	Enable	Yes	Yes
02h CONFIG3-A		30h		0Fh CONFIG3-B		30h		
Bit Name	AFF1	AFF0	OLS	LVDS	ILA1	ILA0	—	—
Reset Value	0	0	1	1	0	0	0	0
0 =	R/W	R/W	R	RR	R/W	R/W	R/W	R/W
1 =	0.5-1 kHz	0.5-2 kHz	RAS	0-8 dB	0-14 dB	0-8 dB	0-8 dB	0-14 dB
	2-4 kHz	1-4 kHz	Unlocked	Low V	14-24 dB	8-24 dB	14-24 dB	8-24 dB
03h COMMAND-A		9h		10h COMMAND-B		9h		
Bit Name	AFFC	IFLA	—	RSSIE	EDD	RAGC	FAGC	BANKS
Reset Value	0	0	0	1	0	0	0	1
0 =	R/W	R/W	R/W	R/W	R/W	R/W	R/W	R
1 =	AFFx ON	-20 dB	TX	Yes	Fast dec.	Yes	Yes	A Bank
04h F1-A		48h		11h F1-B		4800h		
Bit Name	—	—	—	—	F11	F10	F9	F8
Reset Value	0	1	0	0	1	0	0	0
0 =	R/W	R/W	R/W	R/W	R/W	R/W	R/W	R/W
1 =	0h	0h	0h	0h	0h	0h	0h	0h
05h F2-A		0h		12h F2-B		0h		
Bit Name	F7	F6	F5	F4	F3	F1	F1	F0
Reset Value	0	0	0	0	0	0	0	0
0 =	R/W	R/W	R/W	R/W	R/W	R/W	R/W	R/W
1 =	0h	0h	0h	0h	0h	0h	0h	0h

Bank A Registers

Bank B Registers

Figure 33. Bank Registers

Bank Access and Register Mapping

[查询"MC33596"供应商](#)

09h	RXONOFF-A	75 h	Bit 7	Bit 6	Bit 5	Bit 4	Bit 3	Bit 2	Bit 1	Bit 0
	BANKA	RON3	RON2	RON1	RON0	ROFF2	ROFF1	ROFF0		
	Reset Value	1	1	1	1	1	1	1	1	1
	0Ah ID-A	C0h								
	Bit Name	IDL1	ID5	ID4	ID3	ID2	ID1	ID0		
	Reset Value	1	0	0	0	0	0	0	0	0
	0Bh HEADER-A	80 h								
	Bit Name	HDL1	HD5	HD4	HD3	HD2	HD1	HDL0		
	Reset Value	1	0	0	0	0	0	0	0	0
	0Ch RSSI-A	80 h								
	Bit Name	RSSI7	RSSI6	RSSI5	RSSI4	RSSI3	RSSI2	RSSI1	RSSI0	
	Reset Value	0	0	0	0	0	0	0	0	0
		R	R	R	R	R	R	R	R	R
		Bank A Registers								
	16h RXONOFF-B	75 h								
	Bit Name	BANKB	RON3	RON2	RON1	RON0	ROFF2	ROFF1	ROFF0	
	Reset Value	0	1	1	1	1	1	1	1	1
	17h ID-B	C0h								
	Bit Name	IDL1	IDL0	ID5	ID4	ID3	ID2	ID1	ID0	
	Reset Value	1	1	0	0	0	0	0	0	0
	18h HEADER-B	80 h								
	Bit Name	HDL1	HDL0	HD5	HD4	HD3	HD2	HD1	HDL0	
	Reset Value	1	0	0	0	0	0	0	0	0
	19h RSSI-B	80 h								
	Bit Name	RSSI7	RSSI6	RSSI5	RSSI4	RSSI3	RSSI2	RSSI1	RSSI0	
	Reset Value	0	0	0	0	0	0	0	0	0
		R(A)	R(A)	R(A)	R(A)	R(A)	R(A)	R(A)	R(A)	R(A)
		Bank B Registers								

Figure 33. Bank Registers (continued)

[查询"MC33596"供应商](#)

18 Transition Time

Table 21 details the different times that must be considered for a given transition in the state machine, once the logic conditions for that transition are met.

Table 21. Transition Time Definition

Transition State x -> y	Crystal Oscillator Startup Time, Parameter 5.10	PLL Timing	Receiver Preamble Time ¹	Receiver On-to-Off Time, Parameter 1.12
Standby to SPI running, state 60 -> 1	√			
Standby to receiver running, states 5 -> 5b, 20 -> 21	√	Lock time parameter 5.9	√	
Off to receiver running, states 0 -> 0b, 10 -> 11	√	Lock time parameter 5.9	√	
Configuration to receiver running, states 1 -> (0b, 5b, 11, 21)		0 or lock time parameter 5.1 or lock time parameter 5.9 ²	√	
Receiver running to configuration mode, state (0b, 5b, 11, 12, 13, 21, 22, 23) -> 1,	When CONFB=0, the transition from receive mode to configuration mode is immediate.			
Receiver running to standby mode, state 5b -> 5, (21, 22, 23) -> 20				√
Receiver running to off mode, state 0b -> 0, (11, 12, 13) -> 10				√

NOTES:

¹ See Section 11.2.3, "Frame Format."

² Depending on the PLL status before entering configuration mode. For example, the transition time from standby to receiver running (FSK modulation, 19.2 kBd, AFFC = 0, data manager enabled) is: $0.6 \text{ ms} + 50 \mu\text{s} + (3 + 1)/19.2\text{k} = 970 \mu\text{s}$.

19 Electrical Characteristics

19.1 General Parameters

Operating supply voltage and temperature range see Table 3. Values refer to the circuit recommended in the application schematic (see Figure 43 through Figure 54), unless otherwise specified. Typical values reflect average measurement at $V_{CC} = 3.0\text{ V}$, $T_A = 25^\circ\text{C}$.

	Parameter	Test Conditions Comments	Limits			Unit
			Min	Typ	Max	
1.2	Supply current in receive mode	Receiver on	—	10.3	13	mA
1.3		Strobe oscillator only	—	24	50	μA
1.6	Supply current in standby mode	$-40^\circ\text{C} \leq T_A \leq 25^\circ\text{C}$	—	260	700	nA
1.8		$T_A = 85^\circ\text{C}$	—	800	1200	nA
1.9	Supply current in LVD mode	LVDE = 1	—	35	50	μA
1.12	Receiver on-to-off time	Supply current reduced to 10%	—	100	—	μs
1.13	VCC2 voltage regulator output	$2.7\text{ V} < V_{CC}$	2.4	2.6	2.8	V
1.14		$2.1\text{ V} \leq V_{CC} \leq 2.7\text{ V}$	—	$V_{CC}-0.1$	—	V
1.15	VCCDIG2 voltage regulator output	Circuit in standby mode ($V_{CCDIG} = 3\text{ V}$)	—	$0.7 \times V_{CCDIG}$	—	V
1.16		Circuit in all other modes	1.4	1.6	1.8	V
1.19	Voltage on VCC (Preregulator output)	Receive mode with $V_{CCIN}=5\text{V}$	2.4	—	—	V

19.2 Receiver: RF Parameters

RF parameters assume a matching network between test equipment and the D.U.T, and apply to all bands unless otherwise specified.

Operating supply voltage and temperature range see Table 3. Values refer to the circuit recommended in the application schematic (see Figure 43 through Figure 54), unless otherwise specified. Typical values reflect average measurement at $V_{CC} = 3.0\text{ V}$, $T_A = 25^\circ\text{C}$.

	Parameter	Test Conditions, Comments	Limits				Unit
			Min	Typ	Max (FCE, FJE)	Max (FCAE, FJAE)	
2.2	OOK sensitivity at 315 MHz	DME = 1, DSREF = 1, DR = 4.8 kbps, PER = 0.1	—	-104	-99	-97	dBm
2.40	OOK sensitivity at 434 MHz	DME = 1, DSREF = 1, DR = 4.8 kbps, PER = 0.1	—	-103.5	-98	-96	dBm
2.41	OOK sensitivity at 868 MHz	DME = 1, DSREF = 1, DR = 4.8 kbps, PER = 0.1	—	-103	-98	-96	dBm

[查询"MC33596"供应商](#)

Operating supply voltage and temperature range see Table 3. Values refer to the circuit recommended in the application schematic (see Figure 43 through Figure 54), unless otherwise specified. Typical values reflect average measurement at $V_{CC} = 3.0\text{ V}$, $T_A = 25^\circ\text{C}$.

	Parameter	Test Conditions, Comments	Limits				Unit
			Min	Typ	Max (FCE, FJE)	Max (FCAE, FJAE)	
2.42	OOK sensitivity at 916 MHz	DME = 1, DSREF = 1, DR = 4.8 kbps, PER = 0.1	—	-103	-98	-96	dBm
2.24	FSK sensitivity at 315 MHz	DME = 1, DSREF = 1, DR = 4.8 kbps, $DF_{\text{carrier}} = \pm 64\text{ kHz}$, PER = 0.1	—	-106.5	-102	-100	dBm
2.50	FSK sensitivity at 434 MHz	DME = 1, DSREF = 1, DR = 4.8 kbps, $DF_{\text{carrier}} = \pm 64\text{ kHz}$, PER = 0.1	—	-105.5	-101	-99	dBm
2.51	FSK sensitivity at 868 MHz	DME = 1, DSREF = 1, DR = 4.8 kbps, $DF_{\text{carrier}} = \pm 64\text{ kHz}$, PER = 0.1	—	-104.5	-100	-98	dBm
2.52	FSK sensitivity at 916 MHz	DME = 1, DSREF = 1, DR = 4.8 kbps, $DF_{\text{carrier}} = \pm 64\text{ kHz}$, PER = 0.1	—	-105.4	-102	-100	dBm
2.35	Sensitivity improvement in RAW mode	DME = 0	—	0.6	—	—	dB
2.36	Duty Cycle for Manchester coded data		47	—	53	53	%
2.37	Data Rate ¹		2	—	22.6	22.6	kbps
2.38	FSK deviation range		32	64	170	170	kHz
2.5	Sensitivity reduction	ILA[1:0] = 00	—	0	—	—	dB
2.6		ILA[1:0] = 01	—	8	—	—	dB
2.7		ILA[1:0] = 10	—	16	—	—	dB
2.8		ILA[1:0] = 11	—	30	—	—	dB
2.9	In-band jammer desensitization	Sensitivity reduced by 3 dB CW jammer at $F_{\text{carrier}} \pm 50\text{ kHz}$ /OOK	—	-4	—	—	dBc
2.60		Sensitivity reduced by 3 dB CW jammer at $F_{\text{carrier}} \pm 50\text{ kHz}$ /FSK	—	-6	—	—	dBc
2.11	Out-of-band jammer desensitization	Sensitivity reduced by 3dB CW jammer at $F_{\text{carrier}} \pm 1\text{ MHz}$	—	37	—	—	dBc
2.12		Sensitivity reduced by 3dB CW jammer at $F_{\text{carrier}} \pm 2\text{ MHz}$	—	40	—	—	dBc
2.13	RFIN parallel resistance	Receive mode	—	300	—	—	Ω
2.14	RFIN parallel resistance	Standby mode	1300	—	—	—	Ω
2.15	RFIN parallel capacitance	Receive mode	—	1.2	—	—	pF

Electrical Characteristics

查询"MC33596"供应商

Operating supply voltage and temperature range see Table 3. Values refer to the circuit recommended in the application schematic (see Figure 43 through Figure 54), unless otherwise specified. Typical values reflect average measurement at $V_{CC} = 3.0\text{ V}$, $T_A = 25^\circ\text{C}$.

	Parameter	Test Conditions, Comments	Limits				Unit
			Min	Typ	Max (FCE, FJE)	Max (FCAE, FJAE)	
2.17	Maximum detectable signal, OOK	Modulation depth: 99%, level measured on a NRZ '1'	-25	—	—	—	dBm
2.25	Maximum detectable signal, FSK	$\Delta F_{\text{carrier}} = \pm 64\text{kHz}$	-10	—	—	—	dBm
2.18	Image frequency rejection	304–434 MHz	20	36	—	—	dB
2.19		868–915 MHz	15	20	—	—	dB

NOTES:

¹ See Table 10 for additional information.

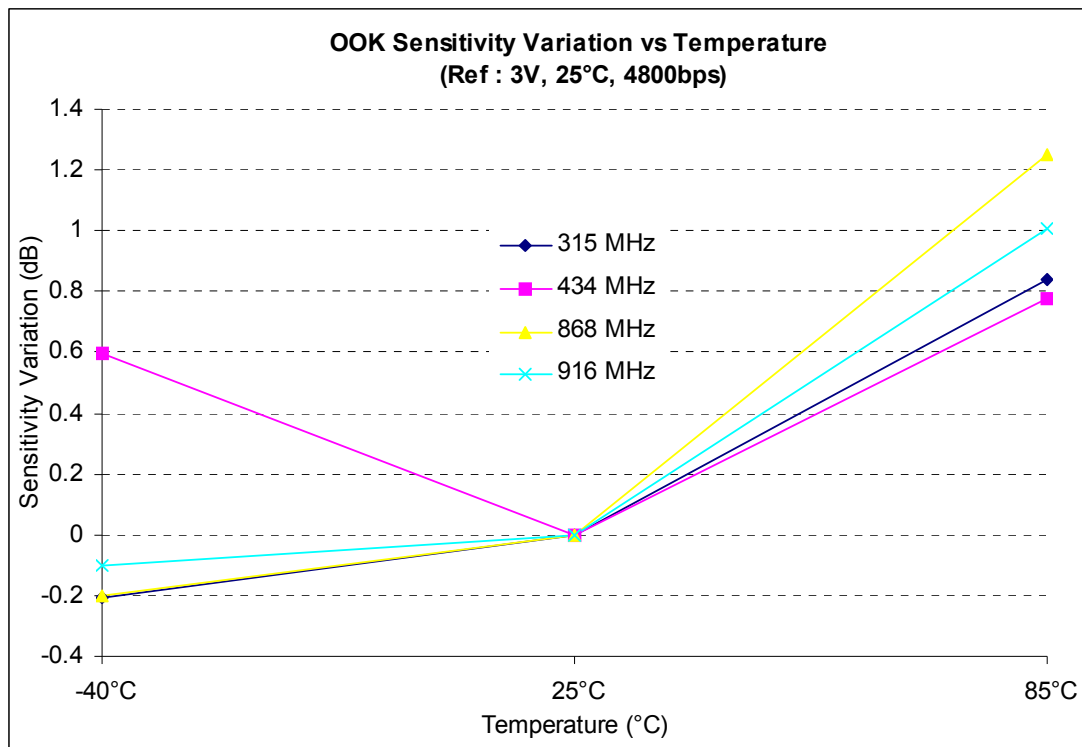


Figure 34. OOK Sensitivity Variation Versus Temperature

[查询"MC33596"供应商](#)

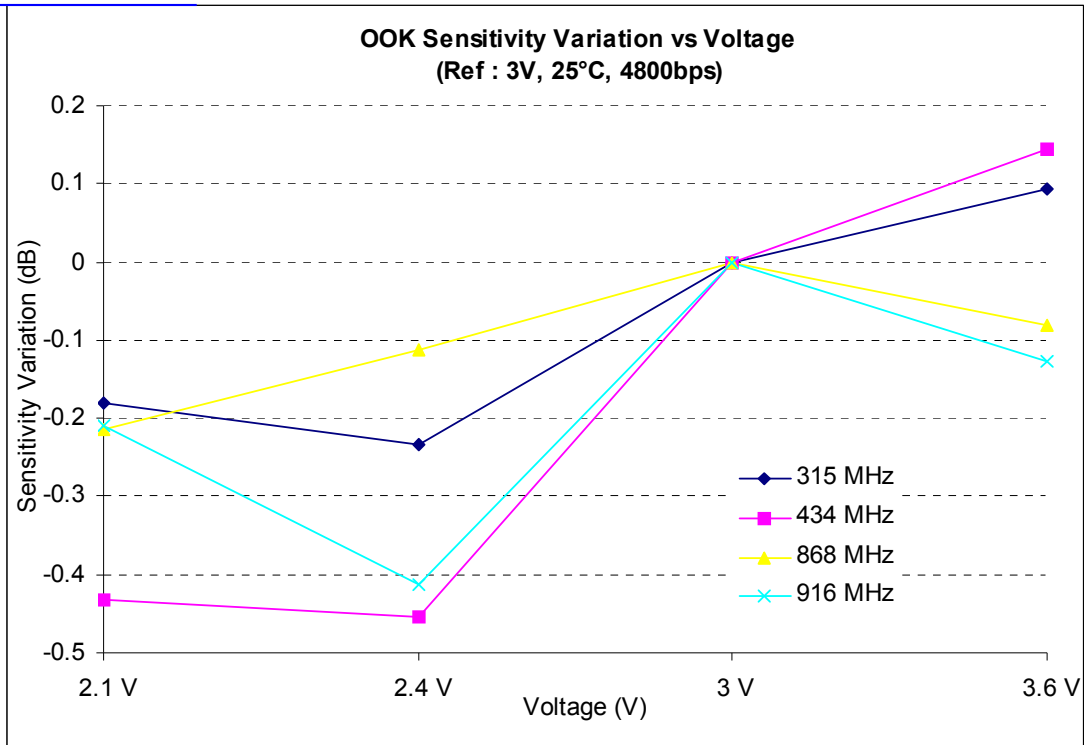


Figure 35. OOK Sensitivity Variation Versus Voltage

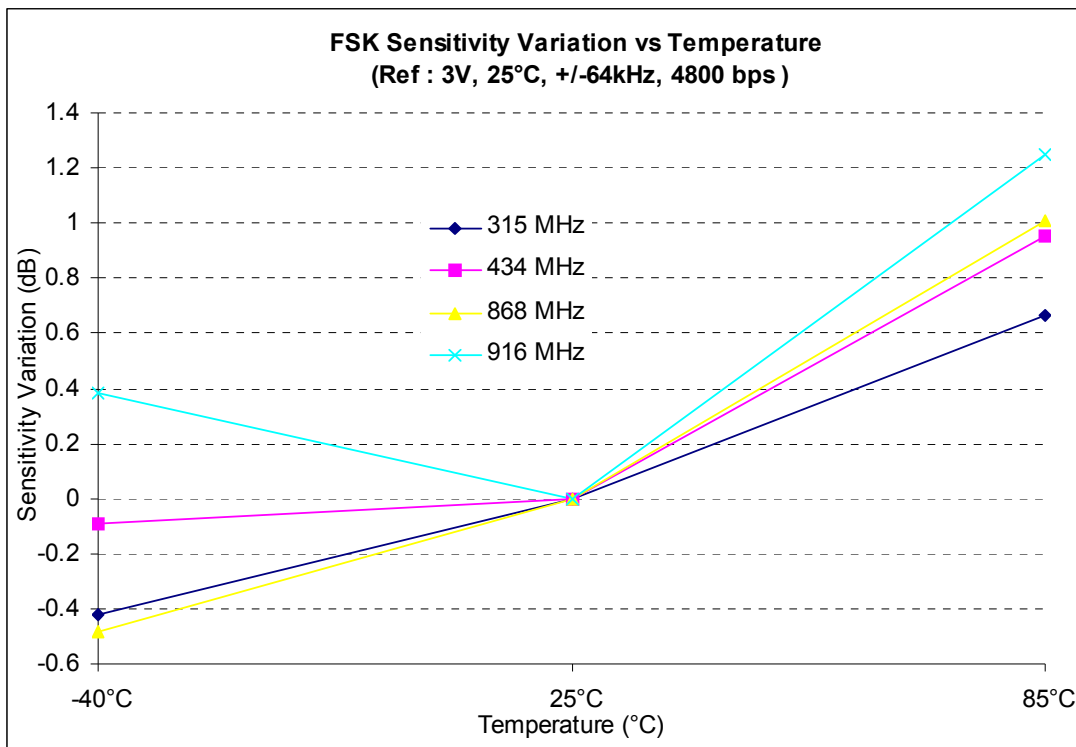


Figure 36. FSK Sensitivity Variation Versus Temperature

[查询"MC33596"供应商](#)

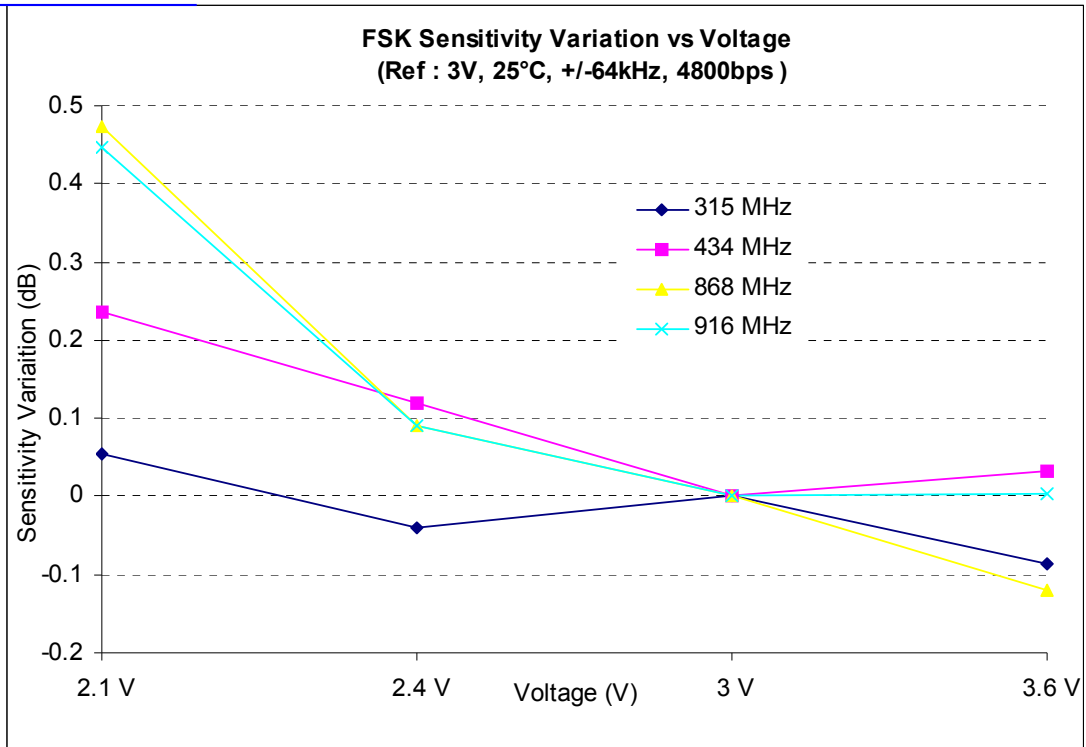


Figure 37. FSK Sensitivity Variation Versus Voltage

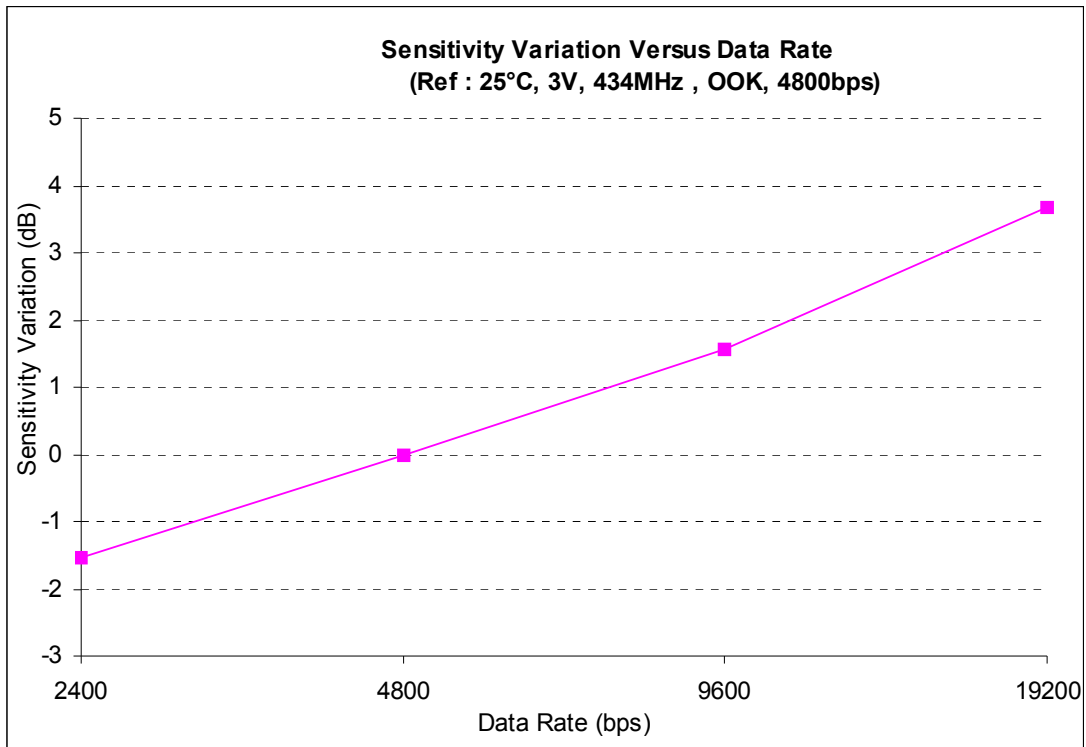


Figure 38. OOK Sensitivity Variation Versus Data Rate

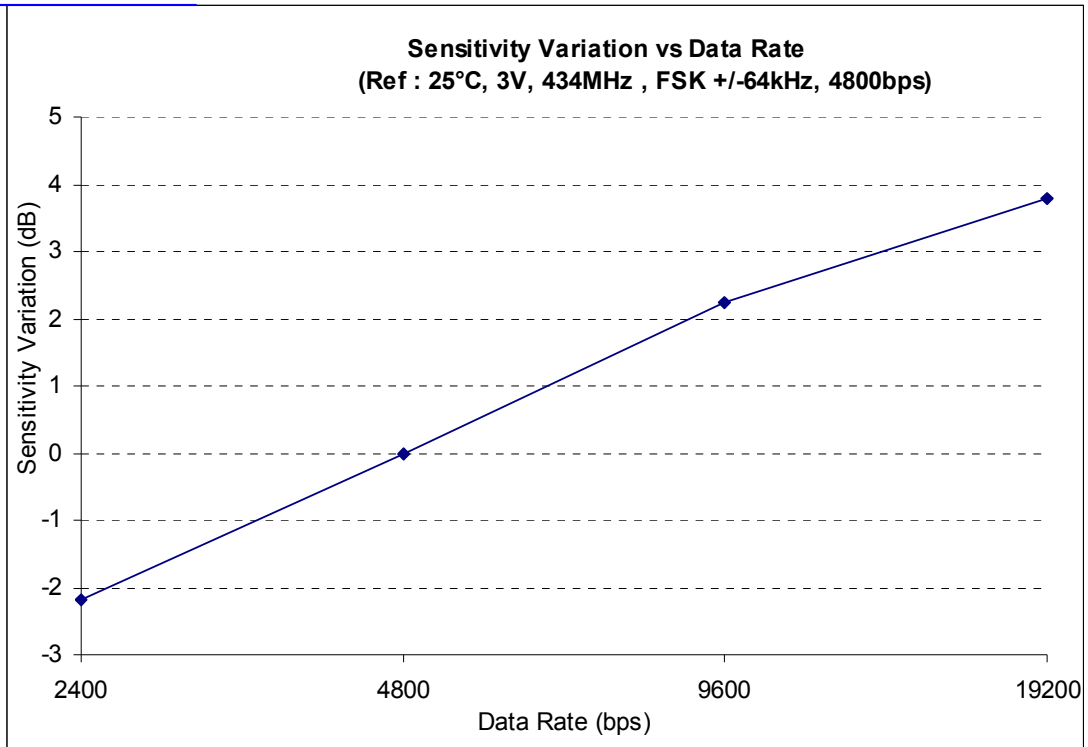
[查询"MC33596"供应商](#)

Figure 39. FSK Sensitivity Variation Versus Data Rate

[查询"MC33596"供应商](#)

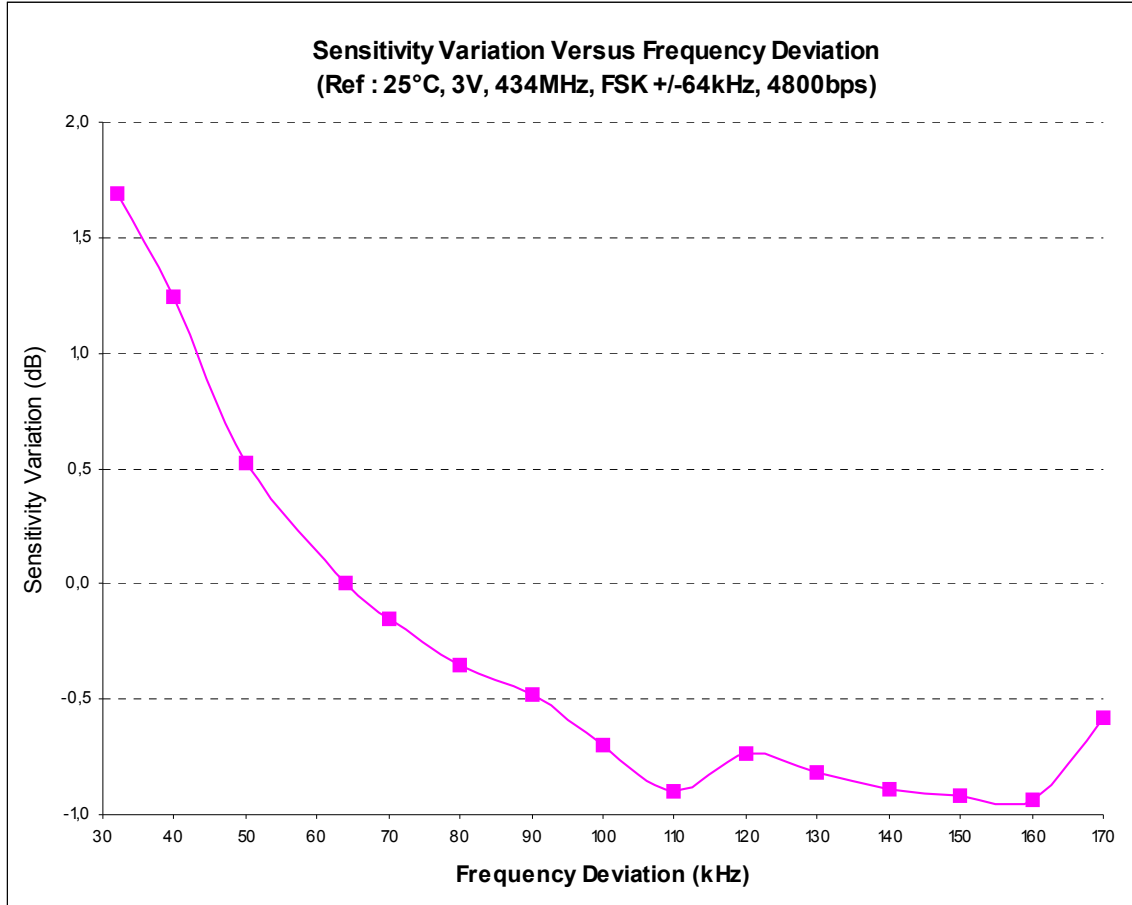


Figure 40. FSK Sensitivity Variation Versus Frequency Deviation

19.3 Receiver Parameters

Operating supply voltage and temperature range see [Table 3](#). Values refer to the circuit recommended in the application schematics [Figure 43](#) through [Figure 54](#)), unless otherwise specified. Typical values reflect average measurement at $V_{CC} = 3.0$ V, $T_A = 25^\circ\text{C}$.

	Parameter	Test Conditions Comments	Limits			Unit
			Min	Typ	Max	
Receiver: IF filter, IF Amplifier, FM-to-AM Converter and Envelope Detector						
3.1	IF center frequency	Refer to Section 8 , "Frequency Planning".	—	1.5	—	MHz
3.2	IF bandwidth at -3dB		—	380	—	kHz
3.3	IF cut-off low frequency at -3 dB		—	—	1.387	MHz
3.4	IF cut-off high frequency at -3 dB		1.635	—	—	MHz
3.12	Recovery time from strong signal	OOK modulation, 2.4 kbps, FAGC = 0, input signal from -50 dBm to -100 dBm	—	15	—	ms

[查询"MC33596"供应商](#)

Operating supply voltage and temperature range see [Table 3](#). Values refer to the circuit recommended in the application schematics ([Figure 43](#) through [Figure 54](#)), unless otherwise specified. Typical values reflect average measurement at $V_{CC} = 3.0$ V, $T_A = 25^\circ\text{C}$.

	Parameter	Test Conditions Comments	Limits			Unit
			Min	Typ	Max	
Receiver: Analog and Digital RSSI						
3.51	Analog RSSI output signal for Input signal @-108 dBm	Measured on RSSIOUT	380	—	650	mV
3.52	Analog RSSI output signal for Input signal @-100 dBm		420	—	700	mV
3.53	Analog RSSI output signal for Input signal @-70 dBm		850	—	1200	mV
3.54	Analog RSSI output signal for Input signal @-28 dBm		1000	—	1300	mV
3.55	Digital RSSI Registers for Input signal @-108 dBm	RSSI [0:3]	0	—	2	
3.56	Digital RSSI Registers for Input signal @-100 dBm		0	—	3	
3.57	Digital RSSI Registers for Input signal @-70 dBm		9	—	13	
3.58	Digital RSSI Registers for Input signal @-28 dBm		13	—	16	
3.59	Digital RSSI Registers for Input signal @-70 dBm	RSSI [4:7]	0	—	2	
3.6	Digital RSSI Registers for Input signal @-50 dBm		4	—	8	
3.61	Digital RSSI Registers for Input signal @-24 dBm		13	—	15	

19.4 PLL & Crystal Oscillator

Operating supply voltage and temperature range see [Table 3](#). Values refer to the circuit recommended in the application schematic (see [Figure 43](#) through [Figure 54](#)), unless otherwise specified. Typical values reflect average measurement at $V_{CC} = 3.0$ V, $T_A = 25^\circ\text{C}$.

	Parameter	Test Conditions Comments	Limits			Unit
			Min	Typ	Max	
5.9	PLL lock time	RF frequency $\pm 25\text{kHz}$	—	50	100	μs
5.1	Toggle time between 2 frequencies	RF frequency step $< 1.5\text{MHz}$, RF frequency $\pm 25\text{kHz}$	—	30	—	μs
5.10	Crystal oscillator startup time		—	0.6	1.2	ms
5.8	Crystal series resistance		—	—	120	Ω

Electrical Characteristics

Examples of crystal characteristics are given in [Table 22](#).

Table 22. Typical Crystal Reference and Characteristics

Parameter	Reference & Type			Unit
	315 MHz	434 MHz	868 MHz	
	LN-G102-1183 NX5032GA NDK	LN-G102-1182 NX5032GA NDK	EXS00A-01654 NX5032GA NDK	
Frequency	17.5814	24.19066	24.16139	MHz
Load capacitance	8	8	8	pF
ESR	25	15	<70	Ω

19.5 Strobe Oscillator (SOE = 1)

Operating supply voltage and temperature range see [Table 3](#). Values refer to the circuit recommended in the application schematic (see [Figure 43](#) through [Figure 46](#)), unless otherwise specified. Typical values reflect average measurement at $V_{CC} = 3.0\text{ V}$, $T_A = 25^\circ\text{C}$.

	Parameter	Test Conditions Comments	Limits			Unit
			Min	Typ	Max	
6.1	Period range	$T_{\text{Strobe}} = 10^6 \cdot C3$	0.1	—	—	ms
6.2	External capacitor C3		0.1	—	10	nF
6.3	Sourced/sink current	With 1% resistor R13	—	1	—	μA
6.4	High threshold voltage		—	1	—	V
6.5	Low threshold voltage		—	0.5	—	V
6.6	Overall timing accuracy	With 1% resistor R13 & 5% capacitor C3, ± 3 sigma variations	-14.2	—	15.8	%

查询"MC33596"供应商

19.6 Digital Input: CONFB, MOSI, SCLK, SEB, STROBE, RSSIC

Operating supply voltage and temperature range see Table 3. Values refer to the circuit recommended in the application schematic (see Figure 43 through Figure 54), unless otherwise specified. Typical values reflect average measurement at $V_{CC} = 3.0\text{ V}$, $T_A = 25^\circ\text{C}$.

	Parameter	Test Conditions Comments	Limits			Unit
			Min	Typ	Max	
7.7	Input low voltage	MOSI, SCLK, SEB, RSSIC ⁽¹⁾	—	—	$0.4 \times V_{CC2}$	V
7.8	Input high voltage		$0.8 \times V_{CC2}$	—	—	V
7.9	Input hysteresis		$0.1 \times V_{CC2}$	—	—	V
7.10	Input low voltage	CONFB, STROBE ²	—	—	$0.4 \times V_{CCDIG2}$	V
7.11	Input high voltage		$0.8 \times V_{CCDIG2}$	—	—	V
7.12	Input hysteresis		$0.1 \times V_{CCDIG2}$	—	—	V
7.5	Sink current	Configuration, receive, modes	1	—	100	nA
7.6		standby or LVD modes	0.5	—	10	nA

NOTES:

¹ Input levels of those pins are referenced to V_{CC2} which depends upon V_{CC} (see Section 5, "Power Supply").

² Input levels of those pins are referenced to V_{CCDIG2} which depends upon the circuit state (see Section 5, "Power Supply").

19.7 Digital Output

Operating supply voltage and temperature range see Table 3. Values refer to the circuit recommended in the application schematic (see Figure 43 through Figure 54), unless otherwise specified. Typical values reflect average measurement at $V_{CC} = 3.0\text{ V}$, $T_A = 25^\circ\text{C}$.

	Parameter	Test Conditions Comments	Limits			Unit
			Min	Typ	Max	
Digital Output: DATACLK, LVD, MISO, MOSI, SCLK						
8.1	Output low voltage	$I_{LOADI} = 50\ \mu\text{A}$	—	—	$0.2 \times V_{CCIO}$	V
8.2	Output high voltage		$0.8 \times V_{CCIO}$	—	—	V
8.3	Fall and rise time	From 10% to 90% of the output swing, $C_{LOAD} = 10\text{pF}$	—	80	150	ns
Digital Output: SWITCH ($V_{CC} = 3\text{V}$)						
8.4	Output low voltage	$I_{LOADI} = 50\ \mu\text{A}$	—	—	$0.2 \times V_{CC}$	V
8.5	Output high voltage		$0.8 \times V_{CC}$	—	—	V

19.8 Digital Interface Timing

Operating supply voltage and temperature range see Table 3. Values refer to the circuit recommended in the application schematic (see Figure 43 through Figure 54), unless otherwise specified. Typical values reflect average measurement at $V_{CC} = 3.0\text{ V}$, $T_A = 25^\circ\text{C}$.

	Parameter	Test Conditions Comments	Limits			Unit
			Min	Typ	Max	
9.2	SCLK period		1	—	—	μs
9.8	Configuration enable time		20	—	—	μs
9.3	Enable lead time	Crystal oscillator is running.	$3 \times T_{\text{digclk}}^1$	—	—	μs
9.4	Enable lag time		100	—	—	ns
9.5	Sequential transfer delay		100	—	— ²	ns
9.6	Data hold time	Receive mode, DME = 1, from SCLK to MOSI	$3 \times T_{\text{digclk}}^1$	—	—	μs
9.7	Data setup time	Configuration mode, from SCLK to MISO	—	—	100	ns
9.9		Configuration mode, from SCLK to MOSI	120	—	—	ns
9.10	Data setup time	Configuration mode, from SCLK to MOSI	100	—	—	ns

NOTES:

¹ See Section 8.1, "Clock Generator" for T_{digclk} values.

² The digital interface can be used in SPI burst protocol, i.e., with a continuous clock on SCLK port. For example, one (or more) read access followed by one (or more) write access and so on. In this case and for a practical use, the pulse required on CONFb between accesses must be higher than 100 ns only if STROBE signal is always set to high level.

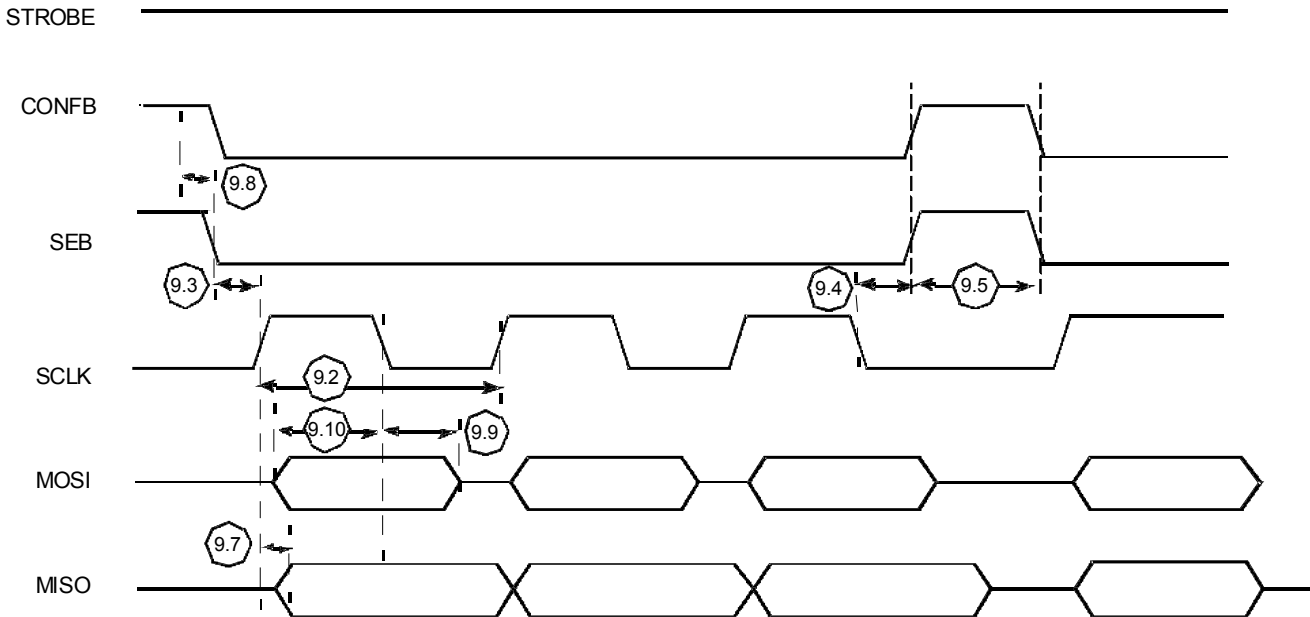
[查询"MC33596"供应商](#)


Figure 41. Digital Interface Timing Diagram in Configuration Mode

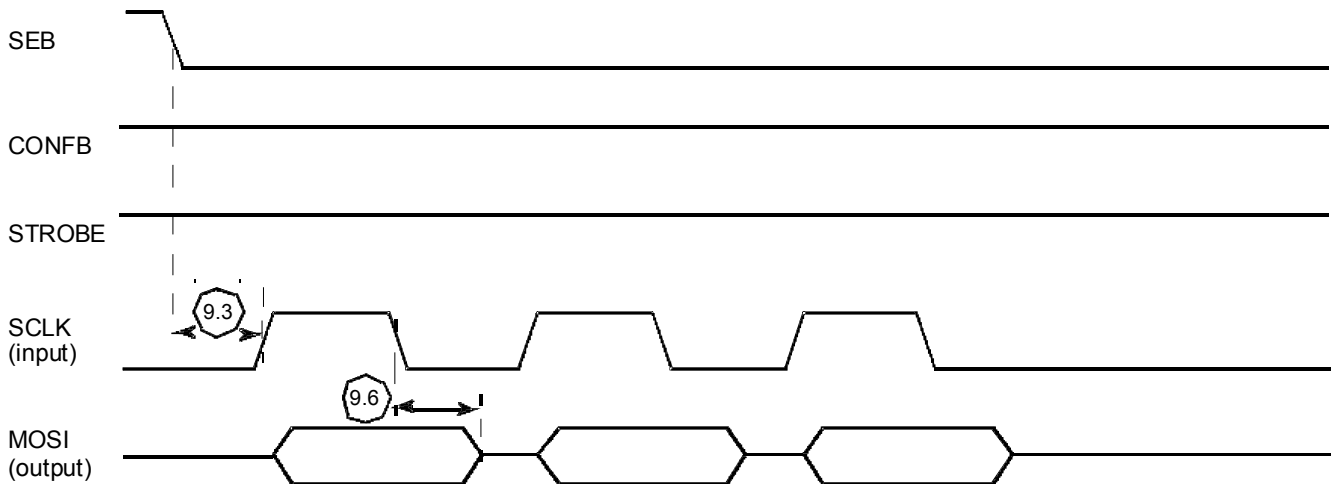


Figure 42. Digital Interface Timing Diagram in Receive Mode (DME = 1)

20 Application Schematics

Examples of application schematics are proposed for Receiver.

Note: The external pullup resistor set on SEB pin (R2) is not mandatory. Instead of R2, an external pulldown resistor of 10 k may be connected between SEB pin and ground.

20.1 Receiver Schematics

Figure 43 and Figure 44 show the application schematic in receive mode for 3 V operation.

查询"MC33596"供应商

Figure 45 and Figure 46 show the application schematic in receive mode for 5 V operation.

20.1.1 Receiver Schematics in 3 V Operation—MCU Controls Wakeup

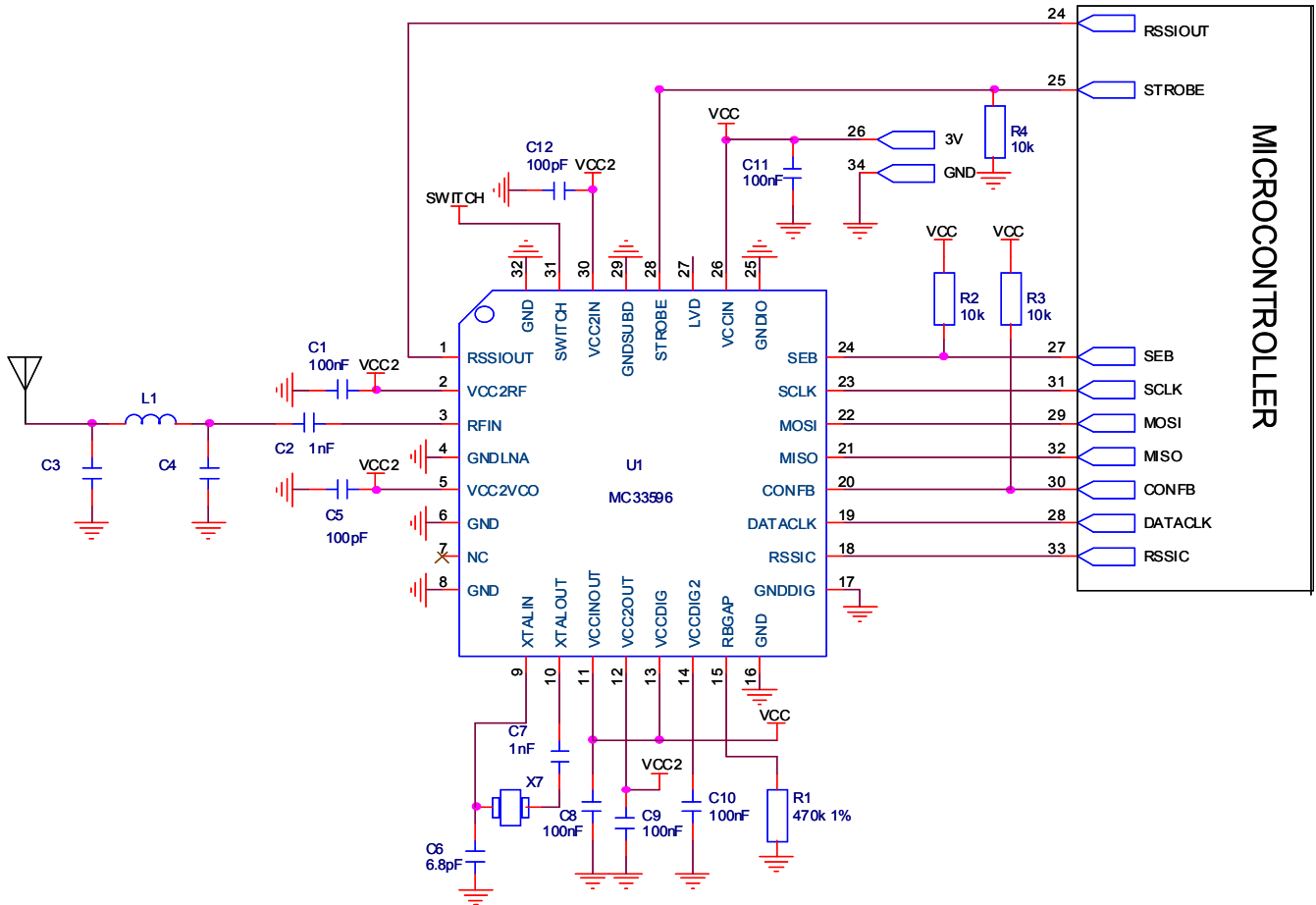


Figure 43. MC33596 Application Schematic (3 V)

The ON/OFF sequencing in receive mode is controlled by driving a low or high level by the MCU on STROBE pin.

查询"MC33596"供应商

20.1.2 Receiver Schematics in 3V Operation—Strobe Oscillator Mode

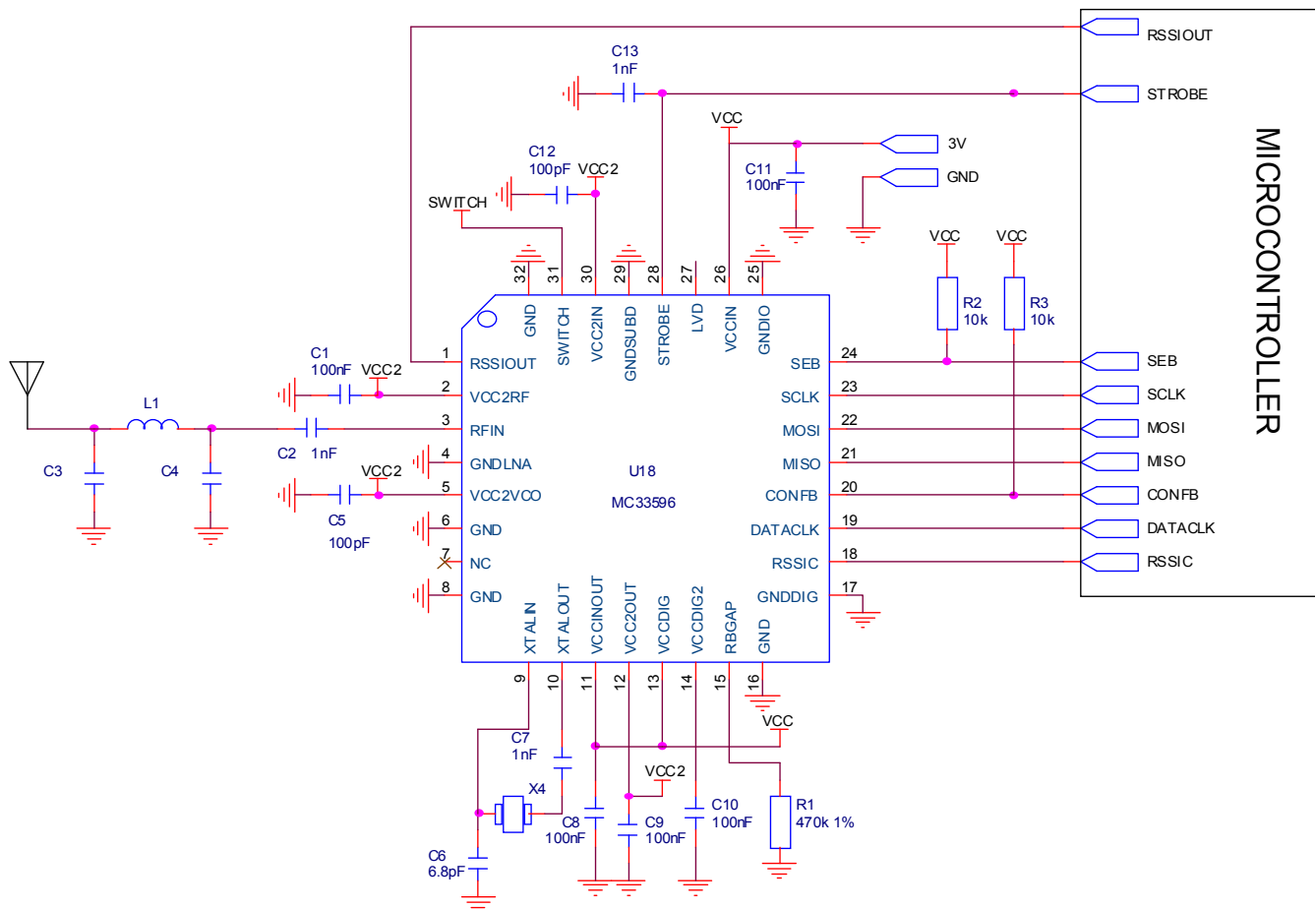


Figure 44. MC33596 Application Schematic in Strobe mode (3 V)

The ON/OFF sequencing in receive mode is controlled internally. The STROBE pin from the MCU has to be configured in high impedance and wakeup mode is available when SOE bit is enabled.

查询"MC33596"供应商

20.1.4 Receiver Schematics in 5 V Operation—Strobe Oscillator Mode

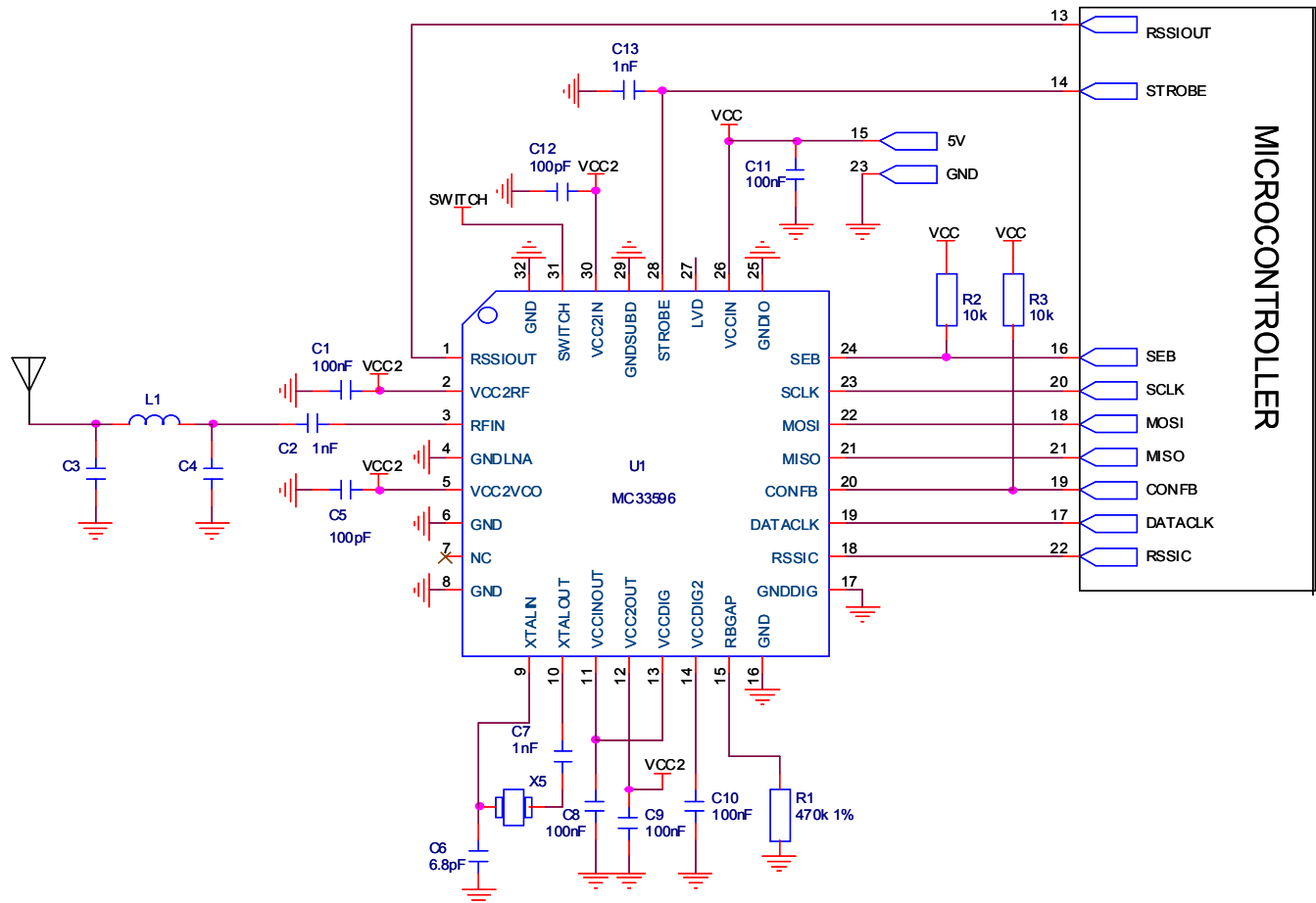


Figure 46. MC33596 Application Schematic in Strobe Mode (5 V)

The ON/OFF sequencing in receive mode is controlled internally. The STROBE pin from the MCU has to be configured in high impedance and wake up mode is available when SOE bit is enabled.

21 PCB Design Recommendations

Pay attention to the following points and recommendations when designing the layout of the PCB.

- **Ground Plane**
 - If you can afford a multilayer PCB, use an internal layer for the ground plane, route power supply and digital signals on the last layer, with RF components on the first layer.
 - Use at least a double-sided PCB.
 - Use a large ground plane on the opposite layer.
 - If the ground plane must be cut on the opposite layer for routing some signals, maintain continuity with another ground plane on the opposite layer and a lot of via to minimize parasitic inductance.
- **Power Supply, Ground Connection and Decoupling**
 - Connect each ground pin to the ground plane using a separate via for each signal; do not use common vias.
 - Place each decoupling capacitor as close to the corresponding VCC pin as possible (no more than 2–3 mm away).
 - Locate the VCCDIG2 decoupling capacitor (C10) directly between VCCDIG2 (pin 14) and GND (pin 16).
- **RF Tracks, Matching Network and Other Components**
 - Minimize any tracks used for routing RF signals.
 - Locate crystal X1 and associated capacitors C6 and C7 close to the MC33596. Avoid loops occurring due to component size and tracks. Avoid routing digital signals in this area.
 - Use high frequency coils with high Q values for the frequency of operation (minimum of 15). Validate any change of coil source.

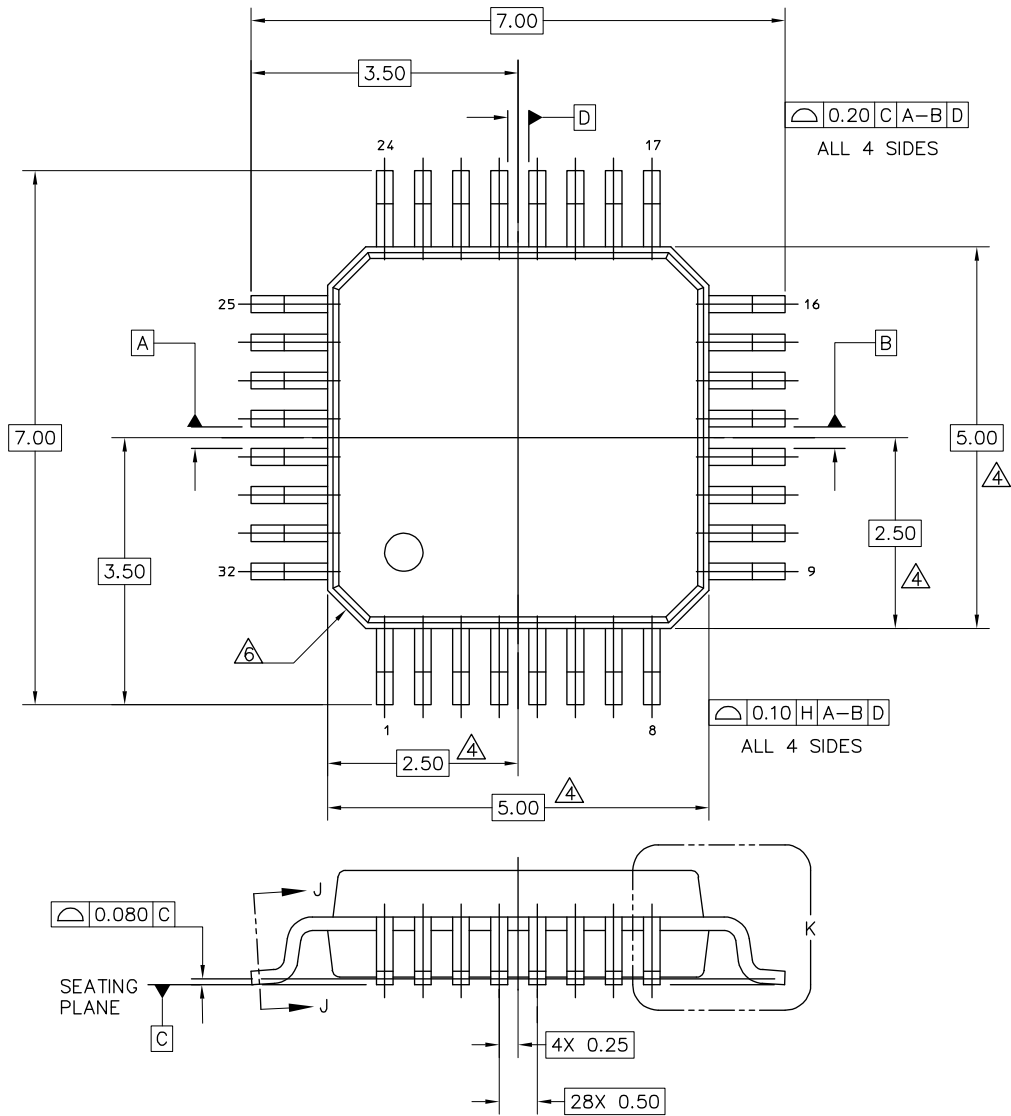
NOTE

The values indicated for the matching network have been computed and tuned for the MC33596 RF Modules available for MC33596 evaluation. Matching networks should be retuned if any change is made to the PCB (track width, length or place, or PCB thickness, or component value). Never use, as is, a matching network designed for another PCB.

查询"MC33596"供应商

22 Case Outline Dimensions

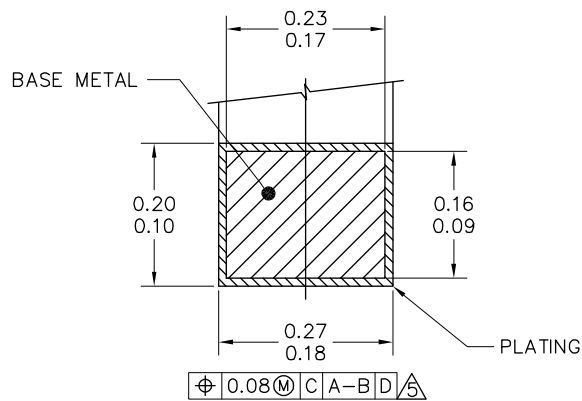
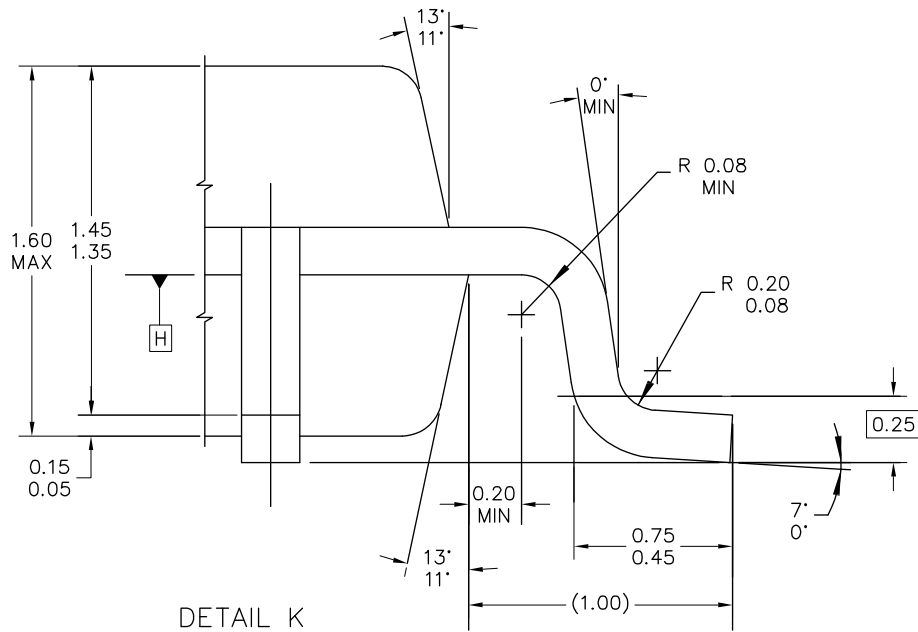
22.1 LQFP32 Case



© FREESCALE SEMICONDUCTOR, INC. ALL RIGHTS RESERVED.	MECHANICAL OUTLINE	PRINT VERSION NOT TO SCALE
TITLE: LQFP, 32-LEAD, 5 X 5 X 1.4 PKG	DOCUMENT NO: 98ASH70471A	REV: C
	CASE NUMBER: 873C-01	02 JUN 2005
	STANDARD: JEDEC MS-026-BAA EIAJ ED-7404A	

Case Outline Dimensions

[查询"MC33596"供应商](#)



© FREESCALE SEMICONDUCTOR, INC. ALL RIGHTS RESERVED.	MECHANICAL OUTLINE	PRINT VERSION NOT TO SCALE	
TITLE: LQFP, 32-LEAD, 5 X 5 X 1.4 PKG	DOCUMENT NO: 98ASH70471A	REV: C	
	CASE NUMBER: 873C-01	02 JUN 2005	
	STANDARD: JEDEC MS-026-BAA EIAJ ED-7404A		

[查询"MC33596"供应商](#)

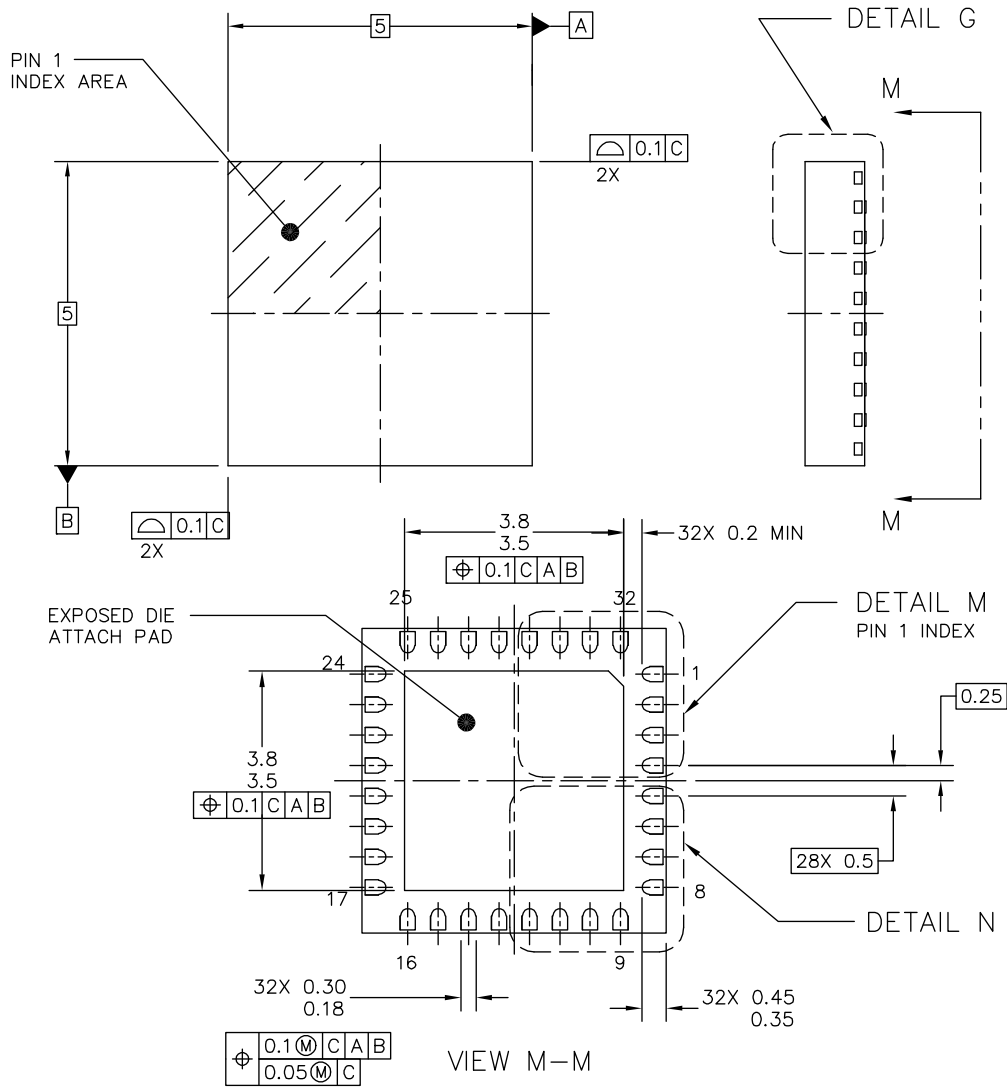
NOTES:

1. DIMENSION ARE IN MILLIMETERS.
2. INTERPRET DIMENSIONS AND TOLERANCES PER ASME Y14.5M-1994.
3. DATUMS A, B AND D TO BE DETERMINED WHERE THE LEADS EXIT THE PLASTIC BODY AT DATUM PLANE H.
4. DIMENSIONS DO NOT INCLUDE MOLD PROTRUSION. ALLOWABLE PROTRUSION IS 0.25 MM PER SIDE. DIMENSIONS ARE MAXIMUM PLASTIC BODY SIZE DIMENSIONS INCLUDING MOLD MISMATCH.
5. DIMENSION DOES NOT INCLUDE DAMBAR PROTRUSION. ALLOWABLE DAMBAR PROTRUSION SHALL NOT CAUSE THE LEAD WIDTH TO EXCEED THE MAXIMUM DIMENSION BY MORE THAN 0.08 MM. DAMBAR CAN NOT BE LOCATED ON THE LOWER RADIUS OR THE FOOT. MINIMUM SPACE BETWEEN A PROTRUSION AND AN ADJACENT LEAD IS 0.07 MM.
6. EXACT SHAPE OF CORNERS MAY VARY.

© FREESCALE SEMICONDUCTOR, INC. ALL RIGHTS RESERVED.	MECHANICAL OUTLINE	PRINT VERSION NOT TO SCALE	
TITLE: LQFP, 32-LEAD, 5 X 5 X 1.4 PKG	DOCUMENT NO: 98ASH70471A	REV: C	
	CASE NUMBER: 873C-01	02 JUN 2005	
	STANDARD: JEDEC MS-026-BAA EIAJ ED-7404A		

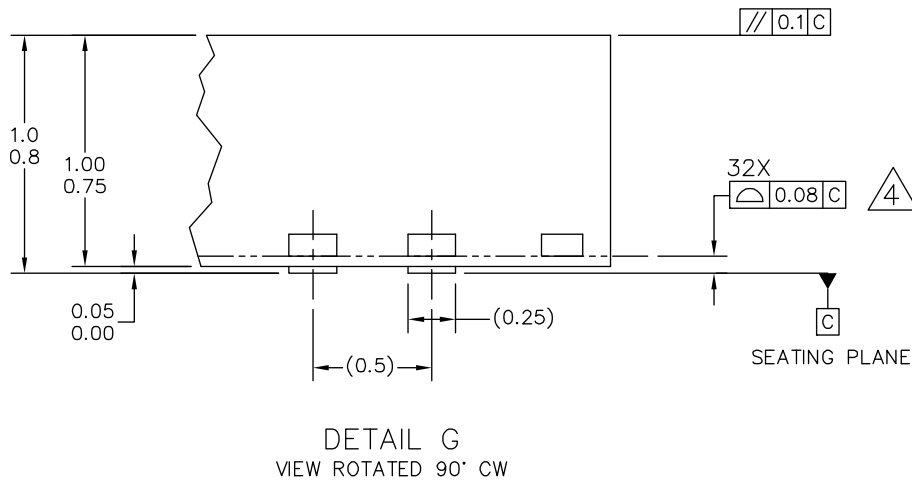
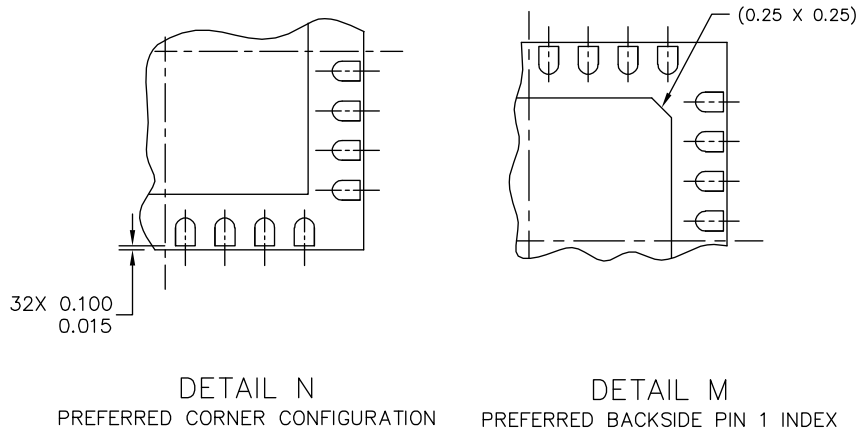
Case Outline Dimensions

查询"MC33596"供应商
22.2 QFN32 Case



© FREESCALE SEMICONDUCTOR, INC. ALL RIGHTS RESERVED.	MECHANICAL OUTLINE	PRINT VERSION NOT TO SCALE
TITLE: THERMALLY ENHANCED QUAD FLAT NON-LEADED PACKAGE (QFN) 32 TERMINAL, 0.5 PITCH (5 X 5 X 1) 3.6 X 3.6 EP, CASE OUTLINE	DOCUMENT NO: 98ARE10566D	REV: C
	CASE NUMBER: 1582-02	26 FEB 2007
	STANDARD: JEDEC MO-220 VHDD-4	

[查询"MC33596"供应商](#)

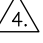


© FREESCALE SEMICONDUCTOR, INC. ALL RIGHTS RESERVED.	MECHANICAL OUTLINE	PRINT VERSION NOT TO SCALE	
TITLE: THERMALLY ENHANCED QUAD FLAT NON-LEADED PACKAGE (QFN) 32 TERMINAL, 0.5 PITCH (5 X 5 X 1) 3.6 X 3.6 EP, CASE OUTLINE	DOCUMENT NO: 98ARE10566D	REV: C	
	CASE NUMBER: 1582-02	26 FEB 2007	
	STANDARD: JEDEC MO-220 VHHD-4		

Case Outline Dimensions

[查询"MC33596"供应商](#)

NOTES:

1. ALL DIMENSIONS ARE IN MILLIMETERS.
2. DIMENSIONING AND TOLERANCING PER ASME Y14.5M-1994.
3. THE COMPLETE JEDEC DESIGNATOR FOR THIS PACKAGE IS: HF-PQFN.
4.  COPLANARITY APPLIES TO LEADS, AND DIE ATTACH PAD.
5. MINIMUM METAL GAP SHOULD BE 0.2 MM.

© FREESCALE SEMICONDUCTOR, INC. ALL RIGHTS RESERVED.	MECHANICAL OUTLINE	PRINT VERSION NOT TO SCALE	
TITLE: THERMALLY ENHANCED QUAD FLAT NON-LEADED PACKAGE (QFN) 32 TERMINAL, 0.5 PITCH (5 X 5 X 1) 3.6 X 3.6 EP, CASE OUTLINE	DOCUMENT NO: 98ARE10566D	REV: C	
	CASE NUMBER: 1582-02	26 FEB 2007	
	STANDARD: JEDEC MO-220 VHHD-4		

[查询"MC33596"供应商](#)



[查询"MC33596"供应商](#)

How to Reach Us:

Home Page:

www.freescale.com

Web Support:

<http://www.freescale.com/support>

USA/Europe or Locations Not Listed:

Freescale Semiconductor, Inc.
Technical Information Center, EL516
2100 East Elliot Road
Tempe, Arizona 85284
+1-800-521-6274 or +1-480-768-2130
www.freescale.com/support

Europe, Middle East, and Africa:

Freescale Halbleiter Deutschland GmbH
Technical Information Center
Schatzbogen 7
81829 Muenchen, Germany
+44 1296 380 456 (English)
+46 8 52200080 (English)
+49 89 92103 559 (German)
+33 1 69 35 48 48 (French)
www.freescale.com/support

Japan:

Freescale Semiconductor Japan Ltd.
Headquarters
ARCO Tower 15F
1-8-1, Shimo-Meguro, Meguro-ku,
Tokyo 153-0064
Japan
0120 191014 or +81 3 5437 9125
support.japan@freescale.com

Asia/Pacific:

Freescale Semiconductor China Ltd.
Exchange Building 23F
No. 118 Jianguo Road
Chaoyang District
Beijing 100022
China
+86 10 5879 8000
support.asia@freescale.com

For Literature Requests Only:

Freescale Semiconductor Literature Distribution Center
1-800-441-2447 or 303-675-2140
Fax: 303-675-2150
LDCForFreescaleSemiconductor@hibbertgroup.com

Information in this document is provided solely to enable system and software implementers to use Freescale Semiconductor products. There are no express or implied copyright licenses granted hereunder to design or fabricate any integrated circuits or integrated circuits based on the information in this document.

Freescale Semiconductor reserves the right to make changes without further notice to any products herein. Freescale Semiconductor makes no warranty, representation or guarantee regarding the suitability of its products for any particular purpose, nor does Freescale Semiconductor assume any liability arising out of the application or use of any product or circuit, and specifically disclaims any and all liability, including without limitation consequential or incidental damages. "Typical" parameters that may be provided in Freescale Semiconductor data sheets and/or specifications can and do vary in different applications and actual performance may vary over time. All operating parameters, including "Typicals", must be validated for each customer application by customer's technical experts. Freescale Semiconductor does not convey any license under its patent rights nor the rights of others. Freescale Semiconductor products are not designed, intended, or authorized for use as components in systems intended for surgical implant into the body, or other applications intended to support or sustain life, or for any other application in which the failure of the Freescale Semiconductor product could create a situation where personal injury or death may occur. Should Buyer purchase or use Freescale Semiconductor products for any such unintended or unauthorized application, Buyer shall indemnify and hold Freescale Semiconductor and its officers, employees, subsidiaries, affiliates, and distributors harmless against all claims, costs, damages, and expenses, and reasonable attorney fees arising out of, directly or indirectly, any claim of personal injury or death associated with such unintended or unauthorized use, even if such claim alleges that Freescale Semiconductor was negligent regarding the design or manufacture of the part.

Freescale™ and the Freescale logo are trademarks of Freescale Semiconductor, Inc. All other product or service names are the property of their respective owners.

© Freescale Semiconductor, Inc. 2006–2010. All rights reserved.

RoHS-compliant and/or Pb-free versions of Freescale products have the functionality and electrical characteristics as their non-RoHS-compliant and/or non-Pb-free counterparts. For further information, see <http://www.freescale.com> or contact your Freescale sales representative.

For information on Freescale's Environmental Products program, go to <http://www.freescale.com/epp>.