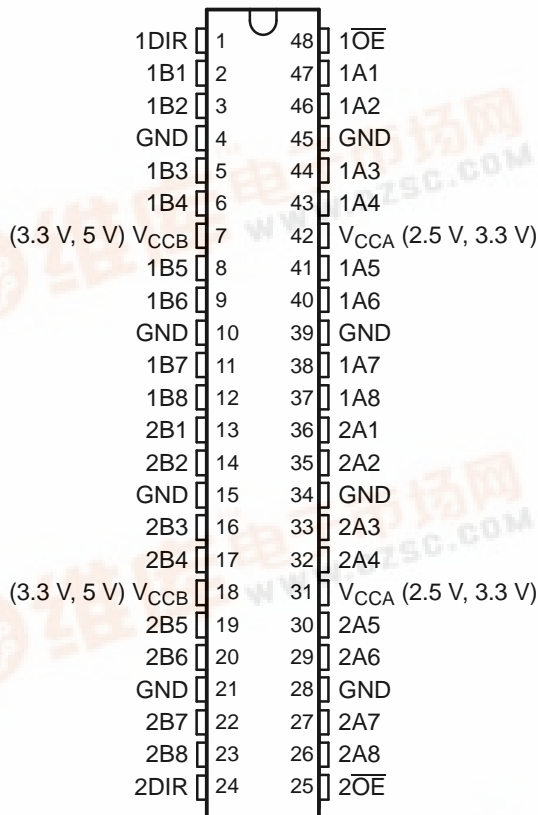


### FEATURES

- **Controlled Baseline**
  - One Assembly/Test Site, One Fabrication Site
- **Enhanced Diminishing Manufacturing Sources (DMS) Support**
- **Enhanced Product-Change Notification**
- **Qualification Pedigree<sup>(1)</sup>**
- **Member of the Texas Instruments Widebus™ Family**
- **Max  $t_{pd}$  of 5.8 ns at 3.3 V**
- **±24-mA Output Drive at 3.3 V**
- **Control Inputs  $V_{IH}/V_{IL}$  Levels Are Referenced to  $V_{CCA}$  Voltage**
- **Latch-Up Performance Exceeds 250 mA Per JESD 17**

<sup>(1)</sup> Component qualification in accordance with JEDEC and industry standards to ensure reliable operation over an extended temperature range. This includes, but is not limited to, Highly Accelerated Stress Test (HAST) or biased 85/85, temperature cycle, autoclave or unbiased HAST, electromigration, bond intermetallic life, and mold compound life. Such qualification testing should not be viewed as justifying use of this component beyond specified performance and environmental limits.

### DGG OR DL PACKAGE (TOP VIEW)



### DESCRIPTION/ORDERING INFORMATION

This 16-bit (dual-octal) noninverting bus transceiver contains two separate supply rails. B port has  $V_{CCB}$ , which is set to operate at 3.3 V and 5 V. A port has  $V_{CCA}$ , which is set to operate at 2.5 V and 3.3 V. This allows for translation from a 2.5-V to a 3.3-V environment, and vice versa, or from a 3.3-V to a 5-V environment, and vice versa.

The SN74ALVC164245 is designed for asynchronous communication between data buses. The control circuitry (1DIR, 2DIR, 1OE, and 2OE) is powered by  $V_{CCA}$ .

To ensure the high-impedance state during power up or power down, the output-enable ( $\overline{OE}$ ) input should be tied to  $V_{CC}$  through a pullup resistor; the minimum value of the resistor is determined by the current-sinking capability of the driver.

### ORDERING INFORMATION

$T_A$	PACKAGE <sup>(1)</sup>		ORDERABLE PART NUMBER	TOP-SIDE MARKING
–40°C to 85°C	SSOP – DL	Reel of 1000	CALVC164245IDLREP	ALVC164245
	TSSOP – DGG	Reel of 2000	CALVC164245IDGGREP	ALVC164245
	VFBGA – GQL	Reel of 1000	CALVC164245IGQLREP	VC4245EP
	VFBGA – ZQL (Pb-free)		CALVC164245IZQLREP	
–55°C to 125°C	TSSOP – DGG	Reel of 2000	CALVC164245MDGGREP	C164245MEP

<sup>(1)</sup> Package drawings, standard packing quantities, thermal data, symbolization, and PCB design guidelines are available at [www.ti.com/sc/package](http://www.ti.com/sc/package).



Please be aware that an important notice concerning availability, standard warranty, and use in critical applications of Texas Instruments semiconductor products and disclaimers thereto appears at the end of this data sheet.

Widebus is a trademark of Texas Instruments.

PRODUCTION DATA information is current as of publication date. Products conform to specifications per the terms of the Texas Instruments standard warranty. Production processing does not necessarily include testing of all parameters.

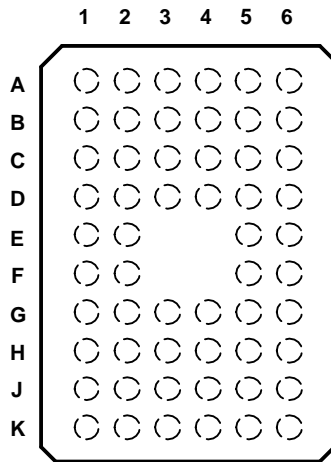
Copyright © 2004–2005, Texas Instruments Incorporated



**SN74ALVC164245-EP**  
**16-BIT 2.5-V TO 3.3-V/3.3-V TO 5-V LEVEL-SHIFTING TRANSCEIVER**  
**WITH 3-STATE OUTPUTS**

SCAS74A DUNE 2004 / REVISED 2005 P F E M B 0008  
[查询SN74ALVC164245-EP供应商](#)

**GQL OR ZQL PACKAGE**  
**(TOP VIEW)**



**TERMINAL ASSIGNMENTS<sup>(1)</sup>**

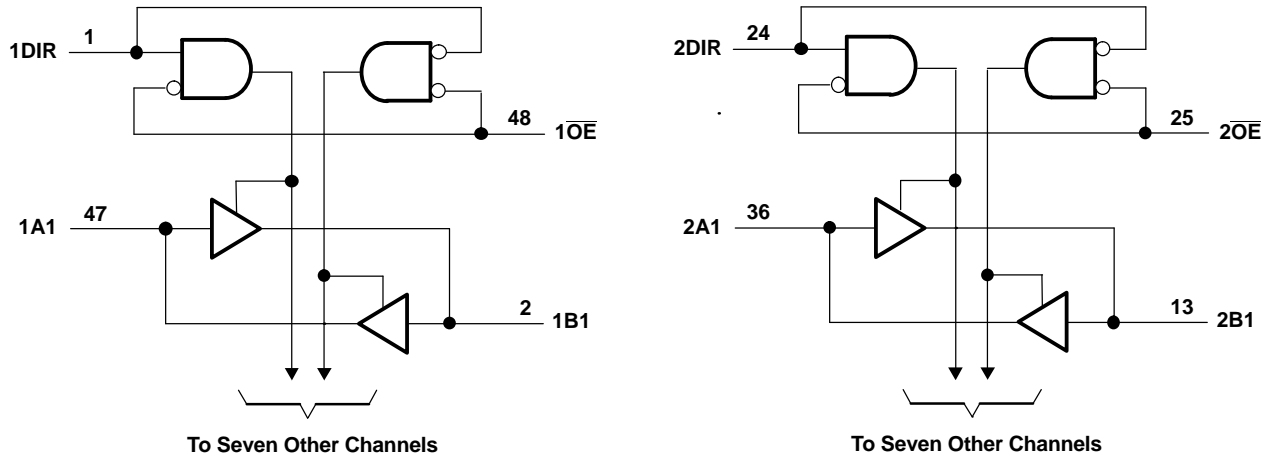
	1	2	3	4	5	6
<b>A</b>	1DIR	NC	NC	NC	NC	1 $\overline{OE}$
<b>B</b>	1B2	1B1	GND	GND	1A1	1A2
<b>C</b>	1B4	1B3	V <sub>CCB</sub>	V <sub>CCA</sub>	1A3	1A4
<b>D</b>	1B6	1B5	GND	GND	1A5	1A6
<b>E</b>	1B8	1B7			1A7	1A8
<b>F</b>	2B1	2B2			2A2	2A1
<b>G</b>	2B3	2B4	GND	GND	2A4	2A3
<b>H</b>	2B5	2B6	V <sub>CCB</sub>	V <sub>CCA</sub>	2A6	2A5
<b>J</b>	2B7	2B8	GND	GND	2A8	2A7
<b>K</b>	2DIR	NC	NC	NC	NC	2 $\overline{OE}$

(1) NC – No internal connection

**FUNCTION TABLE**  
**(EACH 8-BIT SECTION)**

INPUTS		OPERATION
$\overline{OE}$	DIR	
L	L	B data to A bus
L	H	A data to B bus
H	X	Isolation

**LOGIC DIAGRAM (POSITIVE LOGIC)**



Pin numbers shown are for the DGG and DL packages.

**Absolute Maximum Ratings<sup>(1)</sup>**

over operating free-air temperature range for  $V_{CCB}$  at 5 V and  $V_{CCA}$  at 3.3 V (unless otherwise noted)

		MIN	MAX	UNIT
$V_{CCA}$	Supply voltage range	-0.5	4.6	V
		$V_{CCB}$	-0.5	
$V_I$	Input voltage range	Except I/O ports <sup>(2)</sup>		V
		I/O port A <sup>(3)</sup>		
		I/O port B <sup>(2)</sup>		
$I_{IK}$	Input clamp current	$V_I < 0$		-50 mA
$I_{OK}$	Output clamp current	$V_O < 0$		-50 mA
$I_O$	Continuous output current			±50 mA
	Continuous current through each $V_{CC}$ or GND			±100 mA
$\theta_{JA}$	Package thermal impedance <sup>(4)</sup>	DGG package		70
		DL package		63
		GQL/ZQL package		42
$T_{stg}$	Storage temperature range	-65	150	°C

- (1) Stresses beyond those listed under "absolute maximum ratings" may cause permanent damage to the device. These are stress ratings only, and functional operation of the device at these or any other conditions beyond those indicated under "recommended operating conditions" is not implied. Exposure to absolute-maximum-rated conditions for extended periods may affect device reliability.
- (2) This value is limited to 6 V maximum.
- (3) This value is limited to 4.6 V maximum.
- (4) The package thermal impedance is calculated in accordance with JESD 51-7.

# SN74ALVC164245-EP

## 16-BIT 2.5-V TO 3.3-V/3.3-V TO 5-V LEVEL-SHIFTING TRANSCEIVER WITH 3-STATE OUTPUTS

SCBA004 DUNE 2004 / REVISED 2005 FEB 2008  
[查看SN74ALVC164245-EP 供应商](#)

### Recommended Operating Conditions<sup>(1)</sup>

for  $V_{CCB}$  at 3.3 V and 5 V

		MIN	MAX	UNIT	
$V_{CCB}$	Supply voltage	3	5.5	V	
$V_{IH}$	High-level input voltage	2		V	
$V_{IL}$	Low-level input voltage	$V_{CCB} = 3\text{ V to }3.6\text{ V}$	0.7	V	
		$V_{CCB} = 4.5\text{ V to }5.5\text{ V}$	0.8		
$V_{IB}$	Input voltage	0	$V_{CCB}$	V	
$V_{OB}$	Output voltage	0	$V_{CCB}$	V	
$I_{OH}$	High-level output current		-24	mA	
$I_{OL}$	Low-level output current		24	mA	
$\Delta t/\Delta v$	Input transition rise or fall rate		10	ns/V	
$T_A$	Operating free-air temperature	CALVC16245I	-40	85	°C
		CALVC16245M	-55	125	

(1) All unused inputs of the device must be held at  $V_{CC}$  or GND to ensure proper device operation. Refer to the TI application report, *Implications of Slow or Floating CMOS Inputs*, literature number SCBA004.

### Recommended Operating Conditions<sup>(1)</sup>

for  $V_{CCA}$  at 2.5 V and 3.3 V

		MIN	MAX	UNIT	
$V_{CCA}$	Supply voltage	2.3	3.6	V	
$V_{IH}$	High-level input voltage	$V_{CCA} = 2.3\text{ V to }2.7\text{ V}$	1.7	V	
		$V_{CCA} = 3\text{ V to }3.6\text{ V}$	2		
$V_{IL}$	Low-level input voltage	$V_{CCA} = 2.3\text{ V to }2.7\text{ V}$	0.7	V	
		$V_{CCA} = 3\text{ V to }3.6\text{ V}$	0.8		
$V_{IA}$	Input voltage	0	$V_{CCA}$	V	
$V_{OA}$	Output voltage	0	$V_{CCA}$	V	
$I_{OH}$	High-level output current	$V_{CCA} = 2.3\text{ V}$	-18	mA	
		$V_{CCA} = 3\text{ V}$	-24		
$I_{OL}$	Low-level output current	$V_{CCA} = 2.3\text{ V}$	18	mA	
		$V_{CCA} = 3\text{ V}$	24		
$\Delta t/\Delta v$	Input transition rise or fall rate		10	ns/V	
$T_A$	Operating free-air temperature	CALVC16245I	-40	85	°C
		CALVC16245M	-55	125	

(1) All unused inputs of the device must be held at  $V_{CC}$  or GND to ensure proper device operation. Refer to the TI application report, *Implications of Slow or Floating CMOS Inputs*, literature number SCBA004.

## Electrical Characteristics

over recommended operating free-air temperature range for  $V_{CCA} = 2.7\text{ V to }3.6\text{ V}$  and  $V_{CCB} = 4.5\text{ V to }5.5\text{ V}$   
(unless otherwise noted)

PARAMETER	TEST CONDITIONS	$V_{CCA}$	$V_{CCB}$	CALVC164245I			CALVC164245M			UNIT		
				MIN	TYP <sup>(1)</sup>	MAX	MIN	TYP <sup>(1)</sup>	MAX			
$V_{OH}$	B to A	$I_{OH} = -100\ \mu\text{A}$	2.7 V to 3.6 V		$V_{CC} - 0.2$			$V_{CC} - 0.2$			V	
			2.7 V		2.2			2.2				
			3 V		2.4			2.4				
	A to B	$I_{OH} = -24\ \text{mA}$	3 V		2			2				
				4.5 V		4.3			4.3			
				5.5 V		5.3			5.3			
	$I_{OL} = 24\ \text{mA}$	4.5 V		3.7			3.7					
		5.5 V		4.7			4.7					
$V_{OL}$	B to A	$I_{OL} = 100\ \mu\text{A}$	2.7 V to 3.6 V		0.2			0.2			V	
			2.7 V		0.4			0.4				
			3 V		0.55			0.55				
	A to B	$I_{OL} = 100\ \mu\text{A}$	4.5 V to 5.5 V		0.2			0.2				
			4.5 V to 5.5 V		0.55			0.55				
$I_i$	Control inputs	$V_i = V_{CCA}/V_{CCB}$ or GND	3.6 V	5.5 V	$\pm 5$			$\pm 5$			$\mu\text{A}$	
			$I_{OZ}^{(2)}$	A or B port	$V_O = V_{CCA}/V_{CCB}$ or GND	3.6 V	5.5 V	$\pm 10$			$\pm 10$	
$I_{CC}$	$V_i = V_{CCA}/V_{CCB}$ or GND, $I_O = 0$	5.5 V				5.5 V	40			40		
		$\Delta I_{CC}^{(3)}$	One input at $V_{CCA}/V_{CCB} - 0.6\text{ V}$ , Other inputs at $V_{CCA}/V_{CCB}$ or GND	3 V to 3.6 V	4.5 V to 5.5 V	750			750			$\mu\text{A}$
$C_i$	Control inputs			$V_i = V_{CCA}/V_{CCB}$ or GND	3.3 V	5 V	6.5			6.5		
		$C_{io}$	A or B port		$V_O = V_{CCA}/V_{CCB}$ or GND	3.3 V	3.3 V	8.5			8.5	

(1) All typical values are at  $V_{CCA} = 3.3\text{ V}$  and  $V_{CCB} = 5\text{ V}$ ,  $T_A = 25^\circ\text{C}$ .

(2) For I/O ports, the parameter  $I_{OZ}$  includes the input leakage current.

(3) This is the increase in supply current for each input that is at one of the specified TTL voltage levels, rather than at 0 or the associated  $V_{CC}$ .

**SN74ALVC164245-EP**  
**16-BIT 2.5-V TO 3.3-V/3.3-V TO 5-V LEVEL-SHIFTING TRANSCEIVER**  
**WITH 3-STATE OUTPUTS**

SC74ALVC164245-EP 2004 / REVISED SEPTEMBER 2008  
 上海SN74ALVC164245-EP代理商

**Electrical Characteristics**

over recommended operating free-air temperature range for  $V_{CCA} = 2.3\text{ V to }2.7\text{ V}$  and  $V_{CCB} = 3\text{ V to }3.6\text{ V}$   
 (unless otherwise noted)

PARAMETER	TEST CONDITIONS	$V_{CCA}$	$V_{CCB}$	CALVC164245I		CALVC164245M		UNIT
				MIN	MAX	MIN	MAX	
$V_{OH}$	B to A	$I_{OH} = -100\ \mu\text{A}$	2.3 V to 2.7 V	3 V to 3.6 V	$V_{CCA} - 0.2$	$V_{CCA} - 0.2$	V	
		$I_{OH} = -8\ \text{mA}$	2.3 V	3 V to 3.6 V	1.7	1.7		
		$I_{OH} = -12\ \text{mA}$	2.7 V	3 V to 3.6 V	1.8	1.8		
	A to B	$I_{OL} = 100\ \mu\text{A}$	2.3 V to 2.7 V	3 V to 3.6 V	$V_{CCB} - 0.2$	$V_{CCB} - 0.2$		
		$I_{OL} = 18\ \text{mA}$	2.3 V to 2.7 V	3 V	2.2	2.2		
$V_{OL}$	B to A	$I_{OL} = 100\ \mu\text{A}$	2.3 V to 2.7 V	3 V to 3.6 V	0.2	0.2	V	
		$I_{OL} = 12\ \text{mA}$	2.3 V	3 V to 3.6 V	0.6	0.6		
	A to B	$I_{OL} = 100\ \mu\text{A}$	2.3 V to 2.7 V	3 V to 3.6 V	0.2	0.2		
		$I_{OL} = 18\ \text{mA}$	2.3 V	3 V	0.55	0.55		
$I_I$	Control inputs	$V_I = V_{CCA}/V_{CCB}$ or GND	2.3 V to 2.7 V	3 V to 3.6 V	$\pm 5$	$\pm 5$	$\mu\text{A}$	
$I_{OZ}^{(1)}$	A or B port	$V_O = V_{CCA}/V_{CCB}$ or GND	2.3 V to 2.7 V	3 V to 3.6 V	$\pm 10$	$\pm 10$	$\mu\text{A}$	
$I_{CC}$		$V_I = V_{CCA}/V_{CCB}$ or GND, $I_O = 0$	2.3 V to 2.7 V	3 V to 3.6 V	20	40	$\mu\text{A}$	
$\Delta I_{CC}^{(2)}$		One input at $V_{CCA}/V_{CCB} - 0.6\text{ V}$ , Other inputs at $V_{CCA}/V_{CCB}$ or GND	2.3 V to 2.7 V	3 V to 3.6 V	750	750	$\mu\text{A}$	

(1) For I/O ports, the parameter  $I_{OZ}$  includes the input leakage current.

(2) This is the increase in supply current for each input that is at one of the specified TTL voltage levels, rather than at 0 or the associated  $V_{CC}$ .

### Switching Characteristics

over recommended operating free-air temperature range (unless otherwise noted) (see Figure 1 through Figure 4)

PARAMETER	FROM (INPUT)	TO (OUTPUT)	CALVC16245I						UNIT
			$V_{CCB} = 3.3\text{ V} \pm 0.3\text{ V}$		$V_{CCB} = 5\text{ V} \pm 0.5\text{ V}$				
			$V_{CCA} = 2.5\text{ V} \pm 0.2\text{ V}$		$V_{CCA} = 2.7\text{ V}$		$V_{CCA} = 3.3\text{ V} \pm 0.3\text{ V}$		
			MIN	MAX	MIN	MAX	MIN	MAX	
$t_{pd}$	A	B	7.6		5.9		1	5.8	ns
	B	A	7.6		6.7		1.2	5.8	
$t_{en}$	$\overline{OE}$	B	11.5		9.3		1	8.9	ns
$t_{dis}$	$\overline{OE}$	B	10.5		9.2		2.1	9.5	ns
$t_{en}$	$\overline{OE}$	A	12.3		10.2		2	9.1	ns
$t_{dis}$	$\overline{OE}$	A	9.3		9		2.9	8.6	ns

### Switching Characteristics

over recommended operating free-air temperature range (unless otherwise noted) (see Figure 1 through Figure 4)

PARAMETER	FROM (INPUT)	TO (OUTPUT)	CALVC16245M						UNIT
			$V_{CCB} = 3.3\text{ V} \pm 0.3\text{ V}$		$V_{CCB} = 5\text{ V} \pm 0.5\text{ V}$				
			$V_{CCA} = 2.5\text{ V} \pm 0.2\text{ V}$		$V_{CCA} = 2.7\text{ V}$		$V_{CCA} = 3.3\text{ V} \pm 0.3\text{ V}$		
			MIN	MAX	MIN	MAX	MIN	MAX	
$t_{pd}$	A	B	8.6		6.9		1	6.8	ns
	B	A	8.6		7.7		1.2	6.8	
$t_{en}$	$\overline{OE}$	B	12.5		10.3		1	9.9	ns
$t_{dis}$	$\overline{OE}$	B	11.5		10.2		2.1	10.5	ns
$t_{en}$	$\overline{OE}$	A	14.5		11.2		2	10.1	ns
$t_{dis}$	$\overline{OE}$	A	11.3		11		2.9	10.6	ns

### Operating Characteristics

$T_A = 25^\circ\text{C}$

PARAMETER		TEST CONDITIONS	$V_{CCB} = 3.3\text{ V}$	$V_{CCB} = 5\text{ V}$	UNIT
			$V_{CCA} = 2.5\text{ V}$	$V_{CCA} = 3.3\text{ V}$	
			TYP	TYP	
$C_{pd}$ Power dissipation capacitance	Outputs enabled (B)	$C_L = 50\text{ pF}, f = 10\text{ MHz}$	55	56	pF
	Outputs disabled (B)		27	6	
	Outputs enabled (A)	$C_L = 50\text{ pF}, f = 10\text{ MHz}$	118	56	
	Outputs disabled (A)		58	6	

# SN74ALVC164245-EP

## 16-BIT 2.5-V TO 3.3-V/3.3-V TO 5-V LEVEL-SHIFTING TRANSCEIVER WITH 3-STATE OUTPUTS

SCAS74A DUNE 2004 / REVISED 2005 FEBRUARY 2006  
[查询SN74ALVC164245-EP供应商](#)

---

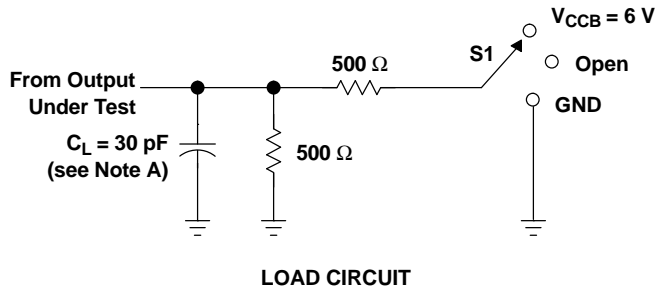
### Power-Up Considerations<sup>(1)</sup>

TI level-translation devices offer an opportunity for successful mixed-voltage signal design. A proper power-up sequence always should be followed to avoid excessive supply current, bus contention, oscillations, or other anomalies caused by improperly biased device pins. To guard against such power-up problems, take these precautions:

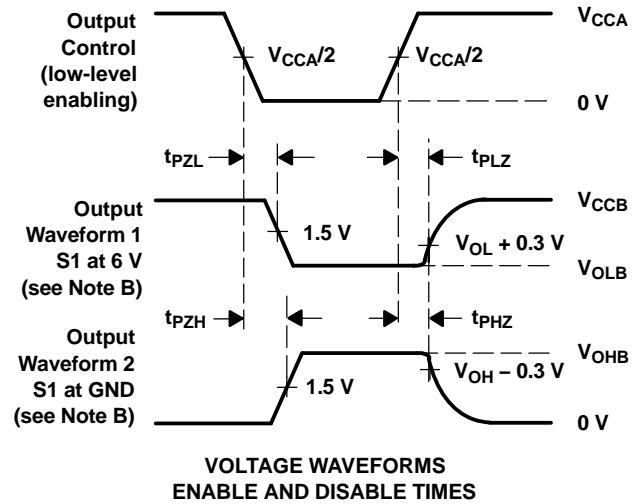
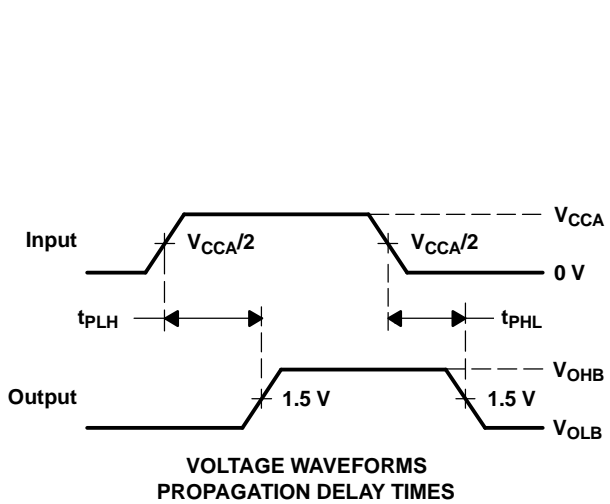
1. Connect ground before any supply voltage is applied.
  2. Power up the control side of the device ( $V_{CCA}$  for all four of these devices).
  3. Tie  $\overline{OE}$  to  $V_{CCA}$  with a pullup resistor so that it ramps with  $V_{CCA}$ .
  4. Depending on the direction of the data path, DIR can be high or low. If DIR high is needed (A data to B bus), ramp it with  $V_{CCA}$ . Otherwise, keep DIR low.
- (1) Refer to the TI application report, *Texas Instruments Voltage-Level-Translation Devices*, literature number SCEA021.



PARAMETER MEASUREMENT INFORMATION  
 $V_{CCA} = 2.5\text{ V} \pm 0.2\text{ V}$  to  $V_{CCB} = 3.3\text{ V} \pm 0.3\text{ V}$



TEST	S1
$t_{pd}$ $t_{PLZ}/t_{PZL}$ $t_{PHZ}/t_{PZH}$	Open $V_{CCB} = 6\text{ V}$ GND



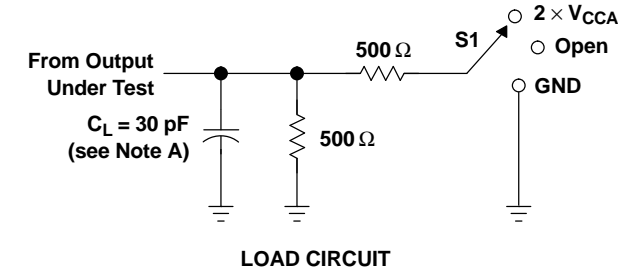
- NOTES: A.  $C_L$  includes probe and jig capacitance.  
 B. Waveform 1 is for an output with internal conditions such that the output is low, except when disabled by the output control. Waveform 2 is for an output with internal conditions such that the output is high, except when disabled by the output control.  
 C. All input pulses are supplied by generators having the following characteristics:  $PRR \leq 10\text{ MHz}$ ,  $Z_O = 50\ \Omega$ ,  $t_r \leq 2\text{ ns}$ ,  $t_f \leq 2\text{ ns}$ .  
 D. The outputs are measured one at a time, with one transition per measurement.  
 E.  $t_{PLZ}$  and  $t_{PHZ}$  are the same as  $t_{dis}$ .  
 F.  $t_{PZL}$  and  $t_{PZH}$  are the same as  $t_{en}$ .  
 G.  $t_{PLH}$  and  $t_{PHL}$  are the same as  $t_{pd}$ .

Figure 1. Load Circuit and Voltage Waveforms

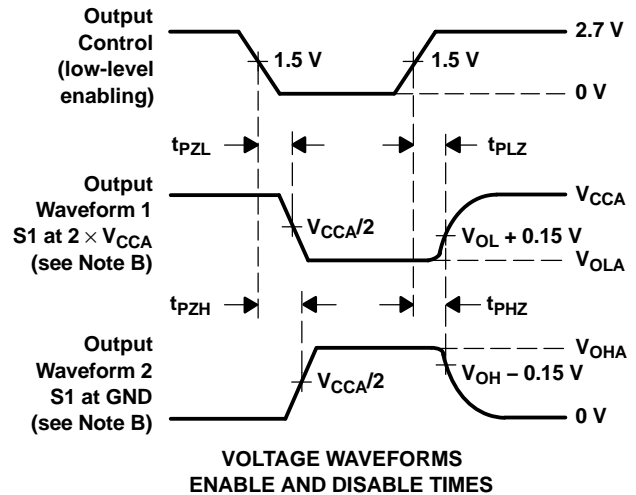
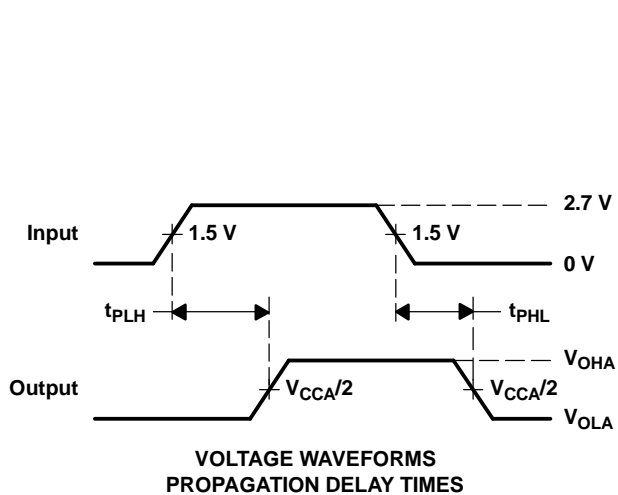
SN74ALVC164245-EP  
 16-BIT 2.5-V TO 3.3-V/3.3-V TO 5-V LEVEL-SHIFTING TRANSCEIVER  
 WITH 3-STATE OUTPUTS

SCAS74ALVC164245-EP 2004/REVISED 2008

PARAMETER MEASUREMENT INFORMATION  
 $V_{CCB} = 3.3\text{ V} \pm 0.3\text{ V}$  to  $V_{CCA} = 2.5\text{ V} \pm 0.2\text{ V}$



TEST	S1
$t_{pd}$	Open
$t_{PLZ}/t_{PZL}$	2 $\times V_{CCA}$
$t_{PHZ}/t_{PZH}$	GND

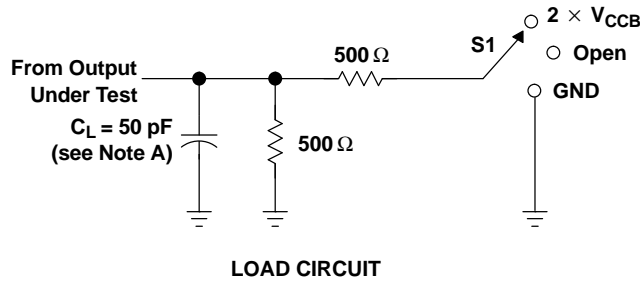


- NOTES:
- A.  $C_L$  includes probe and jig capacitance.
  - B. Waveform 1 is for an output with internal conditions such that the output is low, except when disabled by the output control. Waveform 2 is for an output with internal conditions such that the output is high, except when disabled by the output control.
  - C. All input pulses are supplied by generators having the following characteristics:  $PRR \leq 10\text{ MHz}$ ,  $Z_O = 50\ \Omega$ ,  $t_r \leq 2\text{ ns}$ ,  $t_f \leq 2\text{ ns}$ .
  - D. The outputs are measured one at a time, with one transition per measurement.
  - E.  $t_{PLZ}$  and  $t_{PHZ}$  are the same as  $t_{dis}$ .
  - F.  $t_{PZL}$  and  $t_{PZH}$  are the same as  $t_{en}$ .
  - G.  $t_{PLH}$  and  $t_{PHL}$  are the same as  $t_{pd}$ .

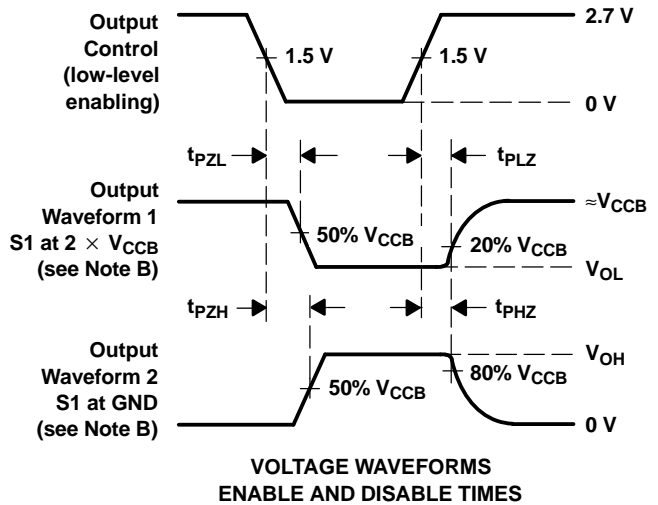
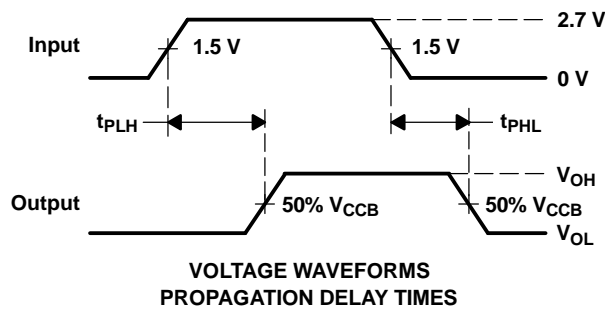
Figure 2. Load Circuit and Voltage Waveforms

PARAMETER MEASUREMENT INFORMATION

$V_{CCA} = 3.3\text{ V} \pm 0.3\text{ V}$  to  $V_{CCB} = 5\text{ V} \pm 0.5\text{ V}$



TEST	S1
$t_{pd}$	Open
$t_{PLZ}/t_{PZL}$	$2 \times V_{CCB}$
$t_{PHZ}/t_{PZH}$	GND



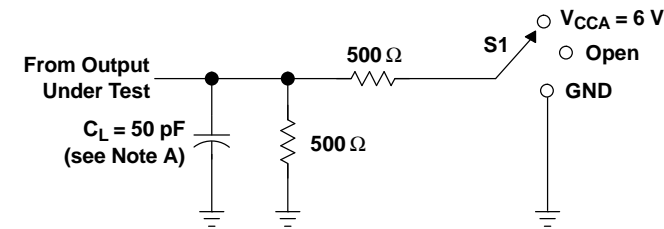
- NOTES:
- $C_L$  includes probe and jig capacitance.
  - Waveform 1 is for an output with internal conditions such that the output is low, except when disabled by the output control. Waveform 2 is for an output with internal conditions such that the output is high, except when disabled by the output control.
  - All input pulses are supplied by generators having the following characteristics:  $PRR \leq 10\text{ MHz}$ ,  $Z_O = 50\ \Omega$ ,  $t_r \leq 2.5\text{ ns}$ ,  $t_f \leq 2.5\text{ ns}$ .
  - The outputs are measured one at a time, with one transition per measurement.
  - $t_{PLZ}$  and  $t_{PHZ}$  are the same as  $t_{dis}$ .
  - $t_{PZL}$  and  $t_{PZH}$  are the same as  $t_{en}$ .
  - $t_{PLH}$  and  $t_{PHL}$  are the same as  $t_{pd}$ .

Figure 3. Load Circuit and Voltage Waveforms

**SN74ALVC164245-EP**  
**16-BIT 2.5-V TO 3.3-V/3.3-V TO 5-V LEVEL-SHIFTING TRANSCEIVER**  
**WITH 3-STATE OUTPUTS**

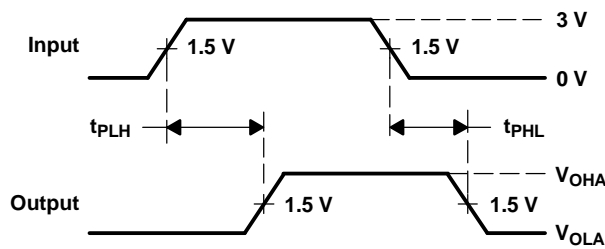
SCAS74ALSUN12004/REV04/EP 2008

**PARAMETER MEASUREMENT INFORMATION**  
 $V_{CCB} = 5\text{ V} \pm 0.5\text{ V}$  to  $V_{CCA} = 2.7\text{ V}$  and  $3.3\text{ V} \pm 0.3\text{ V}$

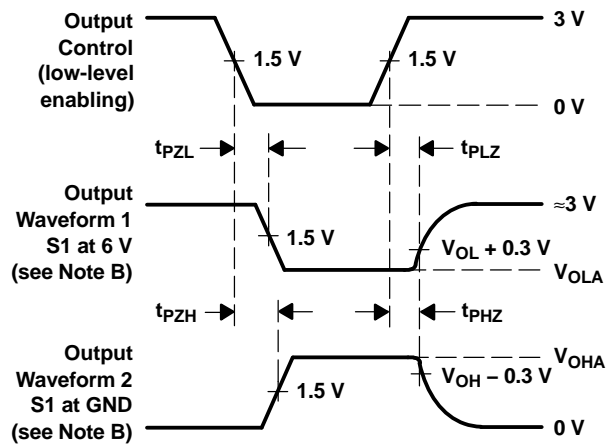


**LOAD CIRCUIT**

TEST	S1
$t_{pd}$	Open
$t_{PLZ}/t_{PZL}$	$V_{CCA} = 6\text{ V}$
$t_{PHZ}/t_{PZH}$	GND



**VOLTAGE WAVEFORMS**  
**PROPAGATION DELAY TIMES**

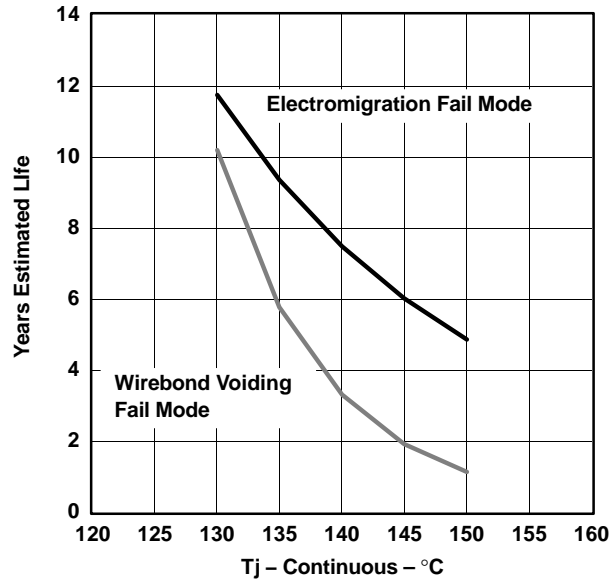


**VOLTAGE WAVEFORMS**  
**ENABLE AND DISABLE TIMES**

- NOTES:
- A.  $C_L$  includes probe and jig capacitance.
  - B. Waveform 1 is for an output with internal conditions such that the output is low, except when disabled by the output control. Waveform 2 is for an output with internal conditions such that the output is high, except when disabled by the output control.
  - C. All input pulses are supplied by generators having the following characteristics:  $PRR \leq 10\text{ MHz}$ ,  $Z_O = 50\ \Omega$ ,  $t_r \leq 2.5\text{ ns}$ ,  $t_f \leq 2.5\text{ ns}$ .
  - D. The outputs are measured one at a time, with one transition per measurement.
  - E.  $t_{PLZ}$  and  $t_{PHZ}$  are the same as  $t_{dis}$ .
  - F.  $t_{PZL}$  and  $t_{PZH}$  are the same as  $t_{en}$ .
  - G.  $t_{PLH}$  and  $t_{PHL}$  are the same as  $t_{pd}$ .

**Figure 4. Load Circuit and Voltage Waveforms**

**74ALVC164245MDGG\*EP**  
**Estimated Device Life at Elevated Temperatures Electromigration**  
**and Wirebond Voiding Fail Modes**



- A. Silicon operating life design goal is 10 years at 105°C junction temperature.

**PACKAGING INFORMATION**

Orderable Device	Status <sup>(1)</sup>	Package Type	Package Drawing	Pins	Package Qty	Eco Plan <sup>(2)</sup>	Lead/Ball Finish	MSL Peak Temp <sup>(3)</sup>
CALVC164245IDGGREP	ACTIVE	TSSOP	DGG	48	2000	Green (RoHS & no Sb/Br)	CU NIPDAU	Level-1-260C-UNLIM
CALVC164245IDLREP	ACTIVE	SSOP	DL	48	1000	Green (RoHS & no Sb/Br)	CU NIPDAU	Level-1-260C-UNLIM
CALVC164245MDGGREP	ACTIVE	TSSOP	DGG	48	2000	Green (RoHS & no Sb/Br)	CU NIPDAU	Level-1-260C-UNLIM
V62/05612-01XE	ACTIVE	SSOP	DL	48	1000	Green (RoHS & no Sb/Br)	CU NIPDAU	Level-1-260C-UNLIM
V62/05612-01YE	ACTIVE	TSSOP	DGG	48	2000	Green (RoHS & no Sb/Br)	CU NIPDAU	Level-1-260C-UNLIM
V62/05612-02YE	ACTIVE	TSSOP	DGG	48	2000	Green (RoHS & no Sb/Br)	CU NIPDAU	Level-1-260C-UNLIM

<sup>(1)</sup> The marketing status values are defined as follows:

**ACTIVE:** Product device recommended for new designs.

**LIFEBUY:** TI has announced that the device will be discontinued, and a lifetime-buy period is in effect.

**NRND:** Not recommended for new designs. Device is in production to support existing customers, but TI does not recommend using this part in a new design.

**PREVIEW:** Device has been announced but is not in production. Samples may or may not be available.

**OBSOLETE:** TI has discontinued the production of the device.

<sup>(2)</sup> Eco Plan - The planned eco-friendly classification: Pb-Free (RoHS), Pb-Free (RoHS Exempt), or Green (RoHS & no Sb/Br) - please check <http://www.ti.com/productcontent> for the latest availability information and additional product content details.

**TBD:** The Pb-Free/Green conversion plan has not been defined.

**Pb-Free (RoHS):** TI's terms "Lead-Free" or "Pb-Free" mean semiconductor products that are compatible with the current RoHS requirements for all 6 substances, including the requirement that lead not exceed 0.1% by weight in homogeneous materials. Where designed to be soldered at high temperatures, TI Pb-Free products are suitable for use in specified lead-free processes.

**Pb-Free (RoHS Exempt):** This component has a RoHS exemption for either 1) lead-based flip-chip solder bumps used between the die and package, or 2) lead-based die adhesive used between the die and leadframe. The component is otherwise considered Pb-Free (RoHS compatible) as defined above.

**Green (RoHS & no Sb/Br):** TI defines "Green" to mean Pb-Free (RoHS compatible), and free of Bromine (Br) and Antimony (Sb) based flame retardants (Br or Sb do not exceed 0.1% by weight in homogeneous material)

<sup>(3)</sup> MSL, Peak Temp. -- The Moisture Sensitivity Level rating according to the JEDEC industry standard classifications, and peak solder temperature.

**Important Information and Disclaimer:** The information provided on this page represents TI's knowledge and belief as of the date that it is provided. TI bases its knowledge and belief on information provided by third parties, and makes no representation or warranty as to the accuracy of such information. Efforts are underway to better integrate information from third parties. TI has taken and continues to take reasonable steps to provide representative and accurate information but may not have conducted destructive testing or chemical analysis on incoming materials and chemicals. TI and TI suppliers consider certain information to be proprietary, and thus CAS numbers and other limited information may not be available for release.

In no event shall TI's liability arising out of such information exceed the total purchase price of the TI part(s) at issue in this document sold by TI to Customer on an annual basis.

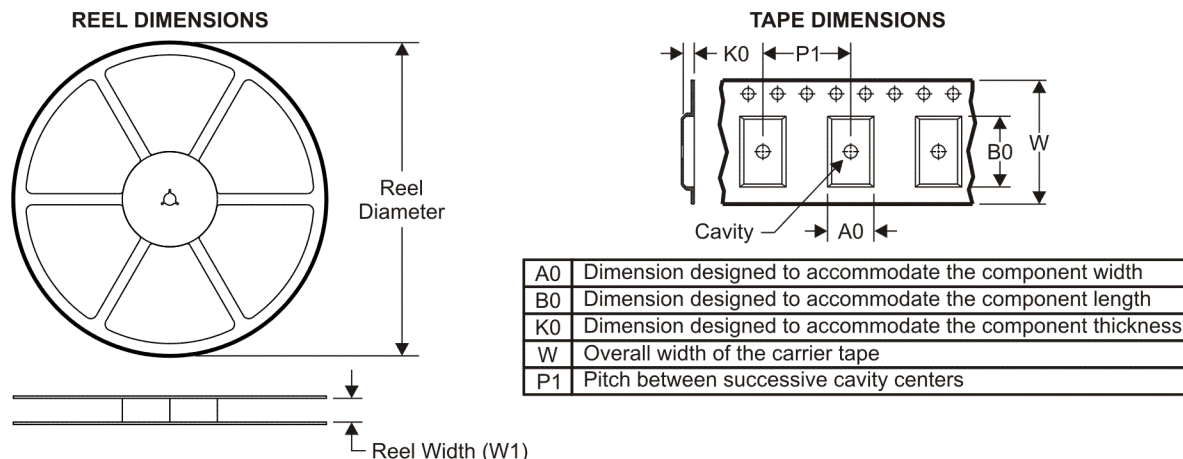
**OTHER QUALIFIED VERSIONS OF SN74ALVC164245-EP :**

- Catalog: [SN74ALVC164245](#)

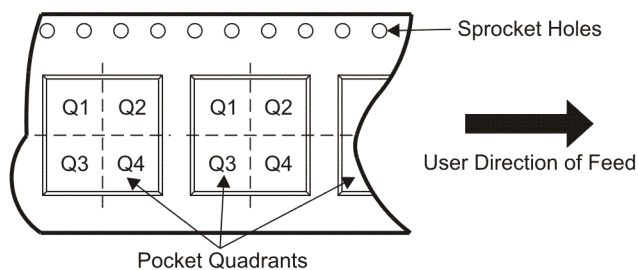
NOTE: Qualified Version Definitions:

- Catalog - TI's standard catalog product

TAPE AND REEL INFORMATION



QUADRANT ASSIGNMENTS FOR PIN 1 ORIENTATION IN TAPE



\*All dimensions are nominal

Device	Package Type	Package Drawing	Pins	SPQ	Reel Diameter (mm)	Reel Width W1 (mm)	A0 (mm)	B0 (mm)	K0 (mm)	P1 (mm)	W (mm)	Pin1 Quadrant
CALVC164245IDGGREP	TSSOP	DGG	48	2000	330.0	24.4	8.6	15.8	1.8	12.0	24.0	Q1
CALVC164245IDLREP	SSOP	DL	48	1000	330.0	32.4	11.35	16.2	3.1	16.0	32.0	Q1
CALVC164245MDGGREP	TSSOP	DGG	48	2000	330.0	24.4	8.6	15.8	1.8	12.0	24.0	Q1

**TAPE AND REEL BOX DIMENSIONS**



\*All dimensions are nominal

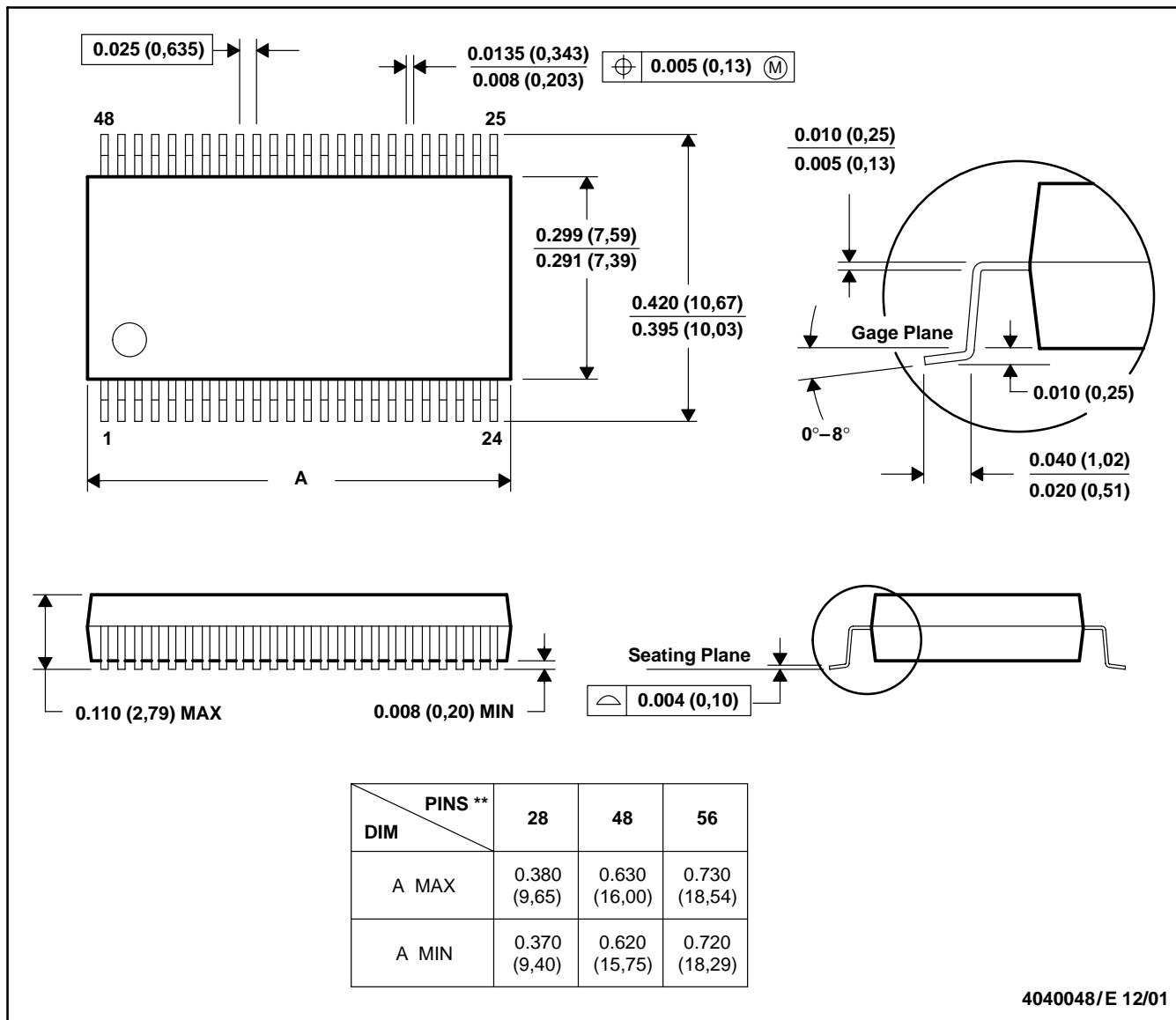
Device	Package Type	Package Drawing	Pins	SPQ	Length (mm)	Width (mm)	Height (mm)
CALVC164245IDGGREP	TSSOP	DGG	48	2000	346.0	346.0	41.0
CALVC164245IDLREP	SSOP	DL	48	1000	346.0	346.0	49.0
CALVC164245MDGGREP	TSSOP	DGG	48	2000	346.0	346.0	41.0



DL (R-PDSO-G\*\*)

PLASTIC SMALL-OUTLINE PACKAGE

48 PINS SHOWN

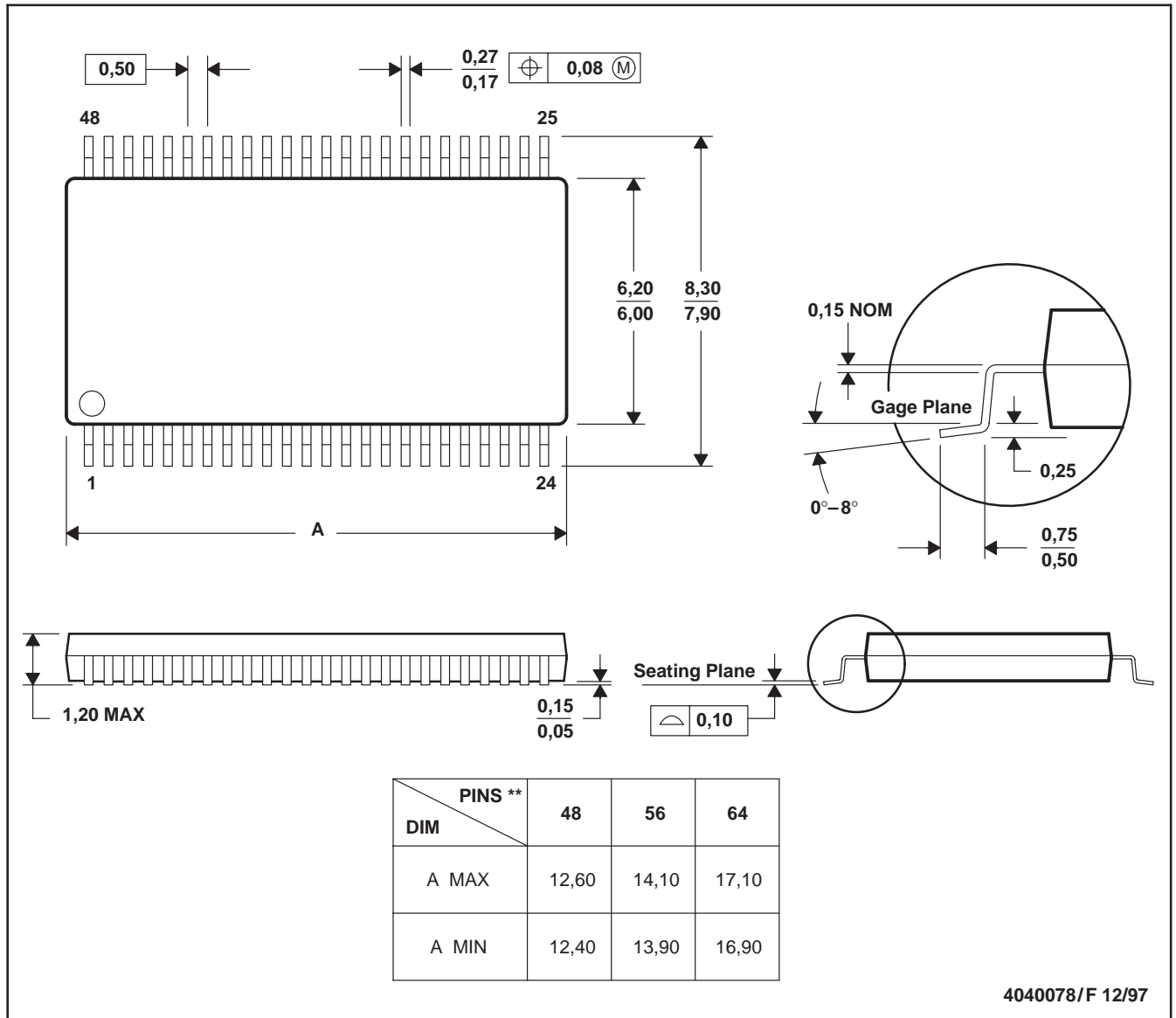


- NOTES: A. All linear dimensions are in inches (millimeters).  
 B. This drawing is subject to change without notice.  
 C. Body dimensions do not include mold flash or protrusion not to exceed 0.006 (0,15).  
 D. Falls within JEDEC MO-118

DGG (R-PDSO-G\*\*)

PLASTIC SMALL-OUTLINE PACKAGE

48 PINS SHOWN



- NOTES: A. All linear dimensions are in millimeters.  
 B. This drawing is subject to change without notice.  
 C. Body dimensions do not include mold protrusion not to exceed 0,15.  
 D. Falls within JEDEC MO-153

## IMPORTANT NOTICE

Texas Instruments Incorporated and its subsidiaries (TI) reserve the right to make corrections, modifications, enhancements, improvements, and other changes to its products and services at any time and to discontinue any product or service without notice. Customers should obtain the latest relevant information before placing orders and should verify that such information is current and complete. All products are sold subject to TI's terms and conditions of sale supplied at the time of order acknowledgment.

TI warrants performance of its hardware products to the specifications applicable at the time of sale in accordance with TI's standard warranty. Testing and other quality control techniques are used to the extent TI deems necessary to support this warranty. Except where mandated by government requirements, testing of all parameters of each product is not necessarily performed.

TI assumes no liability for applications assistance or customer product design. Customers are responsible for their products and applications using TI components. To minimize the risks associated with customer products and applications, customers should provide adequate design and operating safeguards.

TI does not warrant or represent that any license, either express or implied, is granted under any TI patent right, copyright, mask work right, or other TI intellectual property right relating to any combination, machine, or process in which TI products or services are used. Information published by TI regarding third-party products or services does not constitute a license from TI to use such products or services or a warranty or endorsement thereof. Use of such information may require a license from a third party under the patents or other intellectual property of the third party, or a license from TI under the patents or other intellectual property of TI.

Reproduction of TI information in TI data books or data sheets is permissible only if reproduction is without alteration and is accompanied by all associated warranties, conditions, limitations, and notices. Reproduction of this information with alteration is an unfair and deceptive business practice. TI is not responsible or liable for such altered documentation. Information of third parties may be subject to additional restrictions.

Resale of TI products or services with statements different from or beyond the parameters stated by TI for that product or service voids all express and any implied warranties for the associated TI product or service and is an unfair and deceptive business practice. TI is not responsible or liable for any such statements.

TI products are not authorized for use in safety-critical applications (such as life support) where a failure of the TI product would reasonably be expected to cause severe personal injury or death, unless officers of the parties have executed an agreement specifically governing such use. Buyers represent that they have all necessary expertise in the safety and regulatory ramifications of their applications, and acknowledge and agree that they are solely responsible for all legal, regulatory and safety-related requirements concerning their products and any use of TI products in such safety-critical applications, notwithstanding any applications-related information or support that may be provided by TI. Further, Buyers must fully indemnify TI and its representatives against any damages arising out of the use of TI products in such safety-critical applications.

TI products are neither designed nor intended for use in military/aerospace applications or environments unless the TI products are specifically designated by TI as military-grade or "enhanced plastic." Only products designated by TI as military-grade meet military specifications. Buyers acknowledge and agree that any such use of TI products which TI has not designated as military-grade is solely at the Buyer's risk, and that they are solely responsible for compliance with all legal and regulatory requirements in connection with such use.

TI products are neither designed nor intended for use in automotive applications or environments unless the specific TI products are designated by TI as compliant with ISO/TS 16949 requirements. Buyers acknowledge and agree that, if they use any non-designated products in automotive applications, TI will not be responsible for any failure to meet such requirements.

Following are URLs where you can obtain information on other Texas Instruments products and application solutions:

### Products

Amplifiers	<a href="http://amplifier.ti.com">amplifier.ti.com</a>
Data Converters	<a href="http://dataconverter.ti.com">dataconverter.ti.com</a>
DSP	<a href="http://dsp.ti.com">dsp.ti.com</a>
Clocks and Timers	<a href="http://www.ti.com/clocks">www.ti.com/clocks</a>
Interface	<a href="http://interface.ti.com">interface.ti.com</a>
Logic	<a href="http://logic.ti.com">logic.ti.com</a>
Power Mgmt	<a href="http://power.ti.com">power.ti.com</a>
Microcontrollers	<a href="http://microcontroller.ti.com">microcontroller.ti.com</a>
RFID	<a href="http://www.ti-rfid.com">www.ti-rfid.com</a>
RF/IF and ZigBee® Solutions	<a href="http://www.ti.com/lprf">www.ti.com/lprf</a>

### Applications

Audio	<a href="http://www.ti.com/audio">www.ti.com/audio</a>
Automotive	<a href="http://www.ti.com/automotive">www.ti.com/automotive</a>
Broadband	<a href="http://www.ti.com/broadband">www.ti.com/broadband</a>
Digital Control	<a href="http://www.ti.com/digitalcontrol">www.ti.com/digitalcontrol</a>
Medical	<a href="http://www.ti.com/medical">www.ti.com/medical</a>
Military	<a href="http://www.ti.com/military">www.ti.com/military</a>
Optical Networking	<a href="http://www.ti.com/opticalnetwork">www.ti.com/opticalnetwork</a>
Security	<a href="http://www.ti.com/security">www.ti.com/security</a>
Telephony	<a href="http://www.ti.com/telephony">www.ti.com/telephony</a>
Video & Imaging	<a href="http://www.ti.com/video">www.ti.com/video</a>
Wireless	<a href="http://www.ti.com/wireless">www.ti.com/wireless</a>