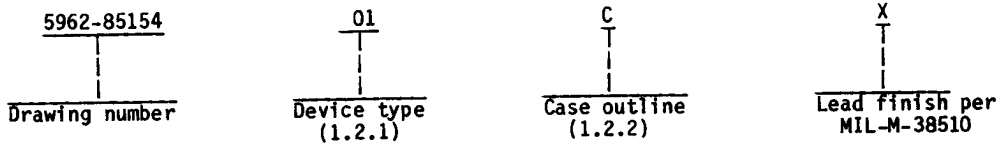




1. SCOPE

1.1 Scope. This drawing describes device requirements for class B microcircuits in accordance with 1.2.1 of MIL-STD-883, "Provisions for the use of MIL-STD-883 in conjunction with compliant non-JAN devices".

1.2 Part number. The complete part number shall be as shown in the following example:



1.2.1 Device type. The device type shall identify the circuit function as follows:

Device type	Generic number	Circuit function
01	54HC107	Dual J-K flip-flop with reset

1.2.2 Case outlines. The case outlines shall be as designated in appendix C of MIL-M-38510, and as follows:

Outline letter	Case outline
C	D-1 (14-lead, 1/4" x 3/4"), dual-in-line package C-2 (20 terminal, .350" x .350"), square chip carrier package
2	

1.3 Absolute maximum ratings. 1/

Supply voltage range - - - - -	-0.5 V dc to +7.0 V dc
DC input voltage - - - - -	-0.5 V dc to $V_{CC} + 0.5$ V dc
DC output voltage - - - - -	-0.5 V dc to $V_{CC} + 0.5$ V dc
Clamp diode current - - - - -	±20 mA
DC output current (per pin) - - - - -	±25 mA
DC $V_{CC}$ or GND current (per pin) - - - - -	±50 mA
Storage temperature range - - - - -	-65°C to +150°C
Maximum power dissipation ( $P_D$ ) - - - - -	500 mW 2/
Lead temperature (soldering, 10 seconds) - - - - -	260°C
Thermal resistance, junction-to-case ( $\theta_{JC}$ ) 3/:	
Case C - - - - -	See MIL-M-38510, appendix C
Case 2 - - - - -	60°C/W
Junction temperature ( $T_J$ ) - - - - -	175°C

1.4 Recommended operating conditions.

Supply voltage - - - - -	+2.0 V dc to +6.0 V dc
Case operating temperature range - - - - -	-55°C to +125°C
Input rise or fall time:	
$V_{CC} = 2.0$ V - - - - -	0 to 1,000 ns
$V_{CC} = 4.5$ V - - - - -	0 to 500 ns
$V_{CC} = 6.0$ V - - - - -	0 to 400 ns

1/ Unless otherwise specified, all voltages are referenced to ground.

2/ For  $T_C = +100^\circ\text{C}$  to  $+125^\circ\text{C}$ , derate linearly at 12 mW/°C.

3/ When a thermal resistance value is included in MIL-M-38510, appendix c, it shall supersede the value stated herein.

<b>MILITARY DRAWING</b> DEFENSE ELECTRONICS SUPPLY CENTER DAYTON, OHIO	SIZE A	CODE IDENT. NO. <b>14933</b>	DWG NO. 5962-85154
		REV	PAGE 2

Minimum setup time, J or K to clock ( $t_s$ ):	
Case at 25°C, $V_{CC} = 2.0$ V - - - - -	100 ns
$V_{CC} = 4.5$ V - - - - -	20 ns
$V_{CC} = 6.0$ V - - - - -	17 ns
Case at -55°C/+125°C, $V_{CC} = 2.0$ V - - - - -	
$V_{CC} = 4.5$ V - - - - -	150 ns
$V_{CC} = 6.0$ V - - - - -	30 ns
	26 ns
Minimum recovery time, reset inactive to clock ( $t_{rec}$ ):	
Case at 25°C, $V_{CC} = 2.0$ V - - - - -	100 ns
$V_{CC} = 4.5$ V - - - - -	20 ns
$V_{CC} = 6.0$ V - - - - -	17 ns
Case at -55°C/+125°C, $V_{CC} = 2.0$ V - - - - -	
$V_{CC} = 4.5$ V - - - - -	150 ns
$V_{CC} = 6.0$ V - - - - -	30 ns
	26 ns
Minimum clock pulse width ( $t_w$ ):	
Case at 25°C, $V_{CC} = 2.0$ V - - - - -	90 ns
$V_{CC} = 4.5$ V - - - - -	18 ns
$V_{CC} = 6.0$ V - - - - -	15 ns
Case at -55°C/+125°C, $V_{CC} = 2.0$ V - - - - -	
$V_{CC} = 4.5$ V - - - - -	135 ns
$V_{CC} = 6.0$ V - - - - -	27 ns
	23 ns
Minimum reset pulse width ( $t_w$ ):	
Case at 25°C, $V_{CC} = 2.0$ V - - - - -	100 ns
$V_{CC} = 4.5$ V - - - - -	20 ns
$V_{CC} = 6.0$ V - - - - -	17 ns
Case at -55°C/+125°C, $V_{CC} = 2.0$ V - - - - -	
$V_{CC} = 4.5$ V - - - - -	150 ns
$V_{CC} = 6.0$ V - - - - -	30 ns
	26 ns
Minimum hold time, clock to J or K ( $t_H$ ):	
Case at 25°C, $V_{CC} = 2.0$ V - - - - -	25 ns
$V_{CC} = 4.5$ V - - - - -	5 ns
$V_{CC} = 6.0$ V - - - - -	5 ns
Case at -55°C/+125°C, $V_{CC} = 2.0$ V - - - - -	
$V_{CC} = 4.5$ V - - - - -	40 ns
$V_{CC} = 6.0$ V - - - - -	8 ns
	7 ns
Maximum frequency ( $f_{max}$ ):	
Case at 25°C, $V_{CC} = 2.0$ V - - - - -	5.4 MHz
$V_{CC} = 4.5$ V - - - - -	27 MHz
$V_{CC} = 6.0$ V - - - - -	32 MHz
Case at -55°C/+125°C, $V_{CC} = 2.0$ V - - - - -	
$V_{CC} = 4.5$ V - - - - -	3.6 MHz
$V_{CC} = 6.0$ V - - - - -	18 MHz
	21 MHz

<b>MILITARY DRAWING</b> DEFENSE ELECTRONICS SUPPLY CENTER DAYTON, OHIO	SIZE A	CODE IDENT. NO. <b>14933</b>	DWG NO. 5962-85154
		REV	PAGE 3

2. APPLICABLE DOCUMENTS

2.1 Government specification and standard. Unless otherwise specified, the following specification and standard, of the issue listed in that issue of the Department of Defense Index of Specifications and Standards specified in the solicitation, form a part of this drawing to the extent specified herein.

SPECIFICATION

MILITARY

MIL-M-38510 - Microcircuits, General Specification for.

STANDARD

MILITARY

MIL-STD-883 - Test Methods and Procedures for Microelectronics.

(Copies of the specification and standard required by manufacturers in connection with specific acquisition functions should be obtained from the contracting activity or as directed by the contracting activity.)

2.2 Order of precedence. In the event of a conflict between the text of this drawing and the references cited herein, the text of this drawing shall take precedence.

3. REQUIREMENTS

3.1 Item requirements. The individual item requirements shall be in accordance with 1.2.1 of MIL-STD-883, "Provisions for the use of MIL-STD-883 in conjunction with compliant non-JAN devices" and as specified herein.

3.2 Design, construction, and physical dimensions. The design, construction, and physical dimensions shall be as specified in MIL-M-38510 and herein.

3.2.1 Terminal connections. The terminal connections shall be as specified on figure 1.

3.2.2 Truth table. The truth table shall be as specified on figure 2.

3.2.3 Logic diagram. The logic diagram shall be as specified on figure 3.

3.2.4 Case outlines. The case outlines shall be in accordance with 1.2.2 herein.

3.3 Electrical performance characteristics. Unless otherwise specified, the electrical performance characteristics are as specified in table I and apply over the full recommended case operating temperature range.

3.4 Marking. Marking shall be in accordance with MIL-STD-883 (see 3.1 herein). The part shall be marked with the part number listed in 1.2 herein. In addition, the manufacturer's part number may also be marked as listed in 6.4 herein.

<b>MILITARY DRAWING</b> DEFENSE ELECTRONICS SUPPLY CENTER DAYTON, OHIO	SIZE A	CODE IDENT. NO. <b>14933</b>	DWG NO. 5962-85154
		REV	PAGE 4

TABLE I. Electrical performance characteristics.

Test	Symbol	Conditions $\frac{1}{-55^{\circ}\text{C} \leq T_C \leq +125^{\circ}\text{C}}$	Group A subgroups	Limits		Unit
				Min	Max	
High-level output voltage	$V_{OH}$	$V_{IN} = V_{IH} \text{ or } V_{IL}$ $ I_{O1}  \leq 20 \mu\text{A}$	1, 2, 3	$V_{CC} = 2.0 \text{ V}$	1.9	V
				$V_{CC} = 4.5 \text{ V}$	4.4	
				$V_{CC} = 6.0 \text{ V}$	5.9	
		$V_{IN} = V_{IH} \text{ or } V_{IL}$ $ I_{O1}  \leq 4.0 \text{ mA}$	$V_{CC} = 4.5 \text{ V}$	3.7		
			$V_{CC} = 6.0 \text{ V}$	5.2		
Low-level output voltage	$V_{OL}$	$V_{IN} = V_{IH} \text{ or } V_{IL}$ $ I_{O1}  \leq 20 \mu\text{A}$	1, 2, 3	$V_{CC} = 2.0 \text{ V}$	0.1	V
				$V_{CC} = 4.5 \text{ V}$	0.1	
				$V_{CC} = 6.0 \text{ V}$	0.1	
		$V_{IN} = V_{IH} \text{ or } V_{IL}$ $ I_{O1}  \leq 4.0 \text{ mA}$	$V_{CC} = 4.5 \text{ V}$	0.4		
			$V_{CC} = 6.0 \text{ V}$	0.4		
High-level input voltage <u>2/</u>	$V_{IH}$		1, 2, 3	$V_{CC} = 2.0 \text{ V}$	1.5	V
				$V_{CC} = 4.5 \text{ V}$	3.15	
				$V_{CC} = 6.0 \text{ V}$	4.2	
Low-level input voltage <u>2/</u>	$V_{IL}$		1, 2, 3	$V_{CC} = 2.0 \text{ V}$	0.3	V
				$V_{CC} = 4.5 \text{ V}$	0.9	
				$V_{CC} = 6.0 \text{ V}$	1.2	

See footnotes at end of table.

<b>MILITARY DRAWING</b> DEFENSE ELECTRONICS SUPPLY CENTER DAYTON, OHIO	SIZE A	CODE IDENT. NO. <b>14933</b>	DWG NO. 5962-85154
		REV	PAGE 5



TABLE I. Electrical performance characteristics - Continued.

Test	Symbol	Conditions <sup>1/</sup> -55°C ≤ T <sub>C</sub> ≤ +125°C	Group A subgroups	Limits		Unit
				Min	Max	
Input capacitance	C <sub>IN</sub>	V <sub>IN</sub> = 0 V T <sub>C</sub> = 25°C See 4.3.1c	4		10	pF
Quiescent current	I <sub>CC</sub>	V <sub>CC</sub> = 6.0 V V <sub>IN</sub> = V <sub>CC</sub> or GND	1, 2, 3		80	μA
Input leakage current	I <sub>IN</sub>	V <sub>CC</sub> = 6.0 V V <sub>IN</sub> = V <sub>CC</sub> or GND	1, 2, 3		±1	μA
Functional tests		See 4.3.1d	7			
Propagation delay: clock to Q or Q̄  3/	t <sub>PHL1</sub> , t <sub>PLH1</sub>	T <sub>C</sub> = 25°C C <sub>L</sub> = 50 pF ±10% See figure 4	V <sub>CC</sub> = 2.0 V	9	170	ns
			V <sub>CC</sub> = 4.5 V		34	
			V <sub>CC</sub> = 6.0 V		29	
		T <sub>C</sub> = -55°C, +125°C C <sub>L</sub> = 50 pF ±10% See figure 4	V <sub>CC</sub> = 2.0 V	10, 11	255	
			V <sub>CC</sub> = 4.5 V		51	
			V <sub>CC</sub> = 6.0 V		43	
Propagation delay: reset to Q or Q̄.  3/	t <sub>PHL2</sub> , t <sub>PLH2</sub>	T <sub>C</sub> = 25°C C <sub>L</sub> = 50 pF ±10% See figure 4	V <sub>CC</sub> = 2.0 V	9	155	ns
			V <sub>CC</sub> = 4.5 V		31	
			V <sub>CC</sub> = 6.0 V		26	
		T <sub>C</sub> = -55°C, +125°C C <sub>L</sub> = 50 pF ±10% See figure 4	V <sub>CC</sub> = 2.0 V	10, 11	235	
			V <sub>CC</sub> = 4.5 V		47	
			V <sub>CC</sub> = 6.0 V		40	

See footnotes at end of table.

<b>MILITARY DRAWING</b> DEFENSE ELECTRONICS SUPPLY CENTER DAYTON, OHIO	SIZE A	CODE IDENT. NO. <b>14933</b>	DWG NO. 5962-85154
		REV	PAGE 6

DESC FORM 193A  
FEB 86



TABLE I. Electrical performance characteristics - Continued.

Test	Symbol	Conditions $\frac{1}{-55^{\circ}\text{C} \leq T_C \leq +125^{\circ}\text{C}}$	Group A subgroups	Limits		Unit	
				Min	Max		
Transition time high-to-low, low-to-high  4/	$t_{THL}$ , $t_{TLH}$	$T_C = 25^{\circ}\text{C}$ $C_L = 50 \text{ pF}$ $\pm 10\%$ See figure 4	9		75	ns	
				$V_{CC} = 2.0 \text{ V}$			15
				$V_{CC} = 4.5 \text{ V}$			13
		$T_C = -55^{\circ}\text{C}, +125^{\circ}\text{C}$ $C_L = 50 \text{ pF}$ $\pm 10\%$ See figure 4	10, 11	$V_{CC} = 2.0 \text{ V}$		110	
				$V_{CC} = 4.5 \text{ V}$		22	
				$V_{CC} = 6.0 \text{ V}$		19	

- 1/ For a power supply of  $5 \text{ V} \pm 10\%$ , the worst case output voltages ( $V_{OH}$  and  $V_{OL}$ ) occur for HC at 4.5 V. Thus the 4.5 V values should be used when designing with this supply. Worst case  $V_{IH}$  and  $V_{IL}$ , occur at  $V_{CC} = 5.5 \text{ V}$  and 4.5 V respectively. (The  $V_{IH}$  value at 5.5 V is 3.85 V.) The worst case leakage current ( $I_{IN}$ ,  $I_{CC}$ , and  $I_{OZ}$ ) occur for CMOS at the higher voltage and so the 6.0 V values should be used. Power dissipation capacitance ( $C_{PD}$ ), typically 60 pF, determines the no load dynamic power consumption,  $P_D = C_{PD} V_{CC}^2 f + I_{CC} V_{CC}$ , and the no load dynamic current consumption,  $I_S = C_{PD} V_{CC} f + I_{CC}$ .
- 2/ Testing not required if applied as forcing function for  $V_{OH}$  or  $V_{OL}$ .
- 3/ AC testing at  $V_{CC} = 2.0 \text{ V}$  and  $V_{CC} = 6.0 \text{ V}$  shall be guaranteed, if not tested to the specified parameters.
- 4/ Transition time ( $t_{THL}$ ,  $t_{TLH}$ ), if not tested, shall be guaranteed to the specified parameters.

3.5 Certificate of compliance. A certificate of compliance shall be required from a manufacturer in order to be listed as an approved source of supply in 6.4. The certificate of compliance submitted to DESC-ECS prior to listing as an approved source of supply shall state that the manufacturer's product meets the requirements of MIL-STD-883 (see 3.1 herein) and the requirements herein.

3.6 Certificate of conformance. A certificate of conformance as required in MIL-STD-883 (see 3.1 herein) shall be provided with each lot of microcircuits delivered to this drawing.

3.7 Notification of change. Notification of change to DESC-ECS shall be required in accordance with MIL-STD-883 (see 3.1 herein).

3.8 Verification and review. DESC, DESC's agent, and the acquiring activity retain the option to review the manufacturer's facility and applicable required documentation. Offshore documentation shall be made available onshore at the option of the reviewer.

<b>MILITARY DRAWING</b> DEFENSE ELECTRONICS SUPPLY CENTER DAYTON, OHIO	SIZE	CODE IDENT. NO.	DWG NO.
	A	<b>14933</b>	5962-85154
		REV	PAGE 7

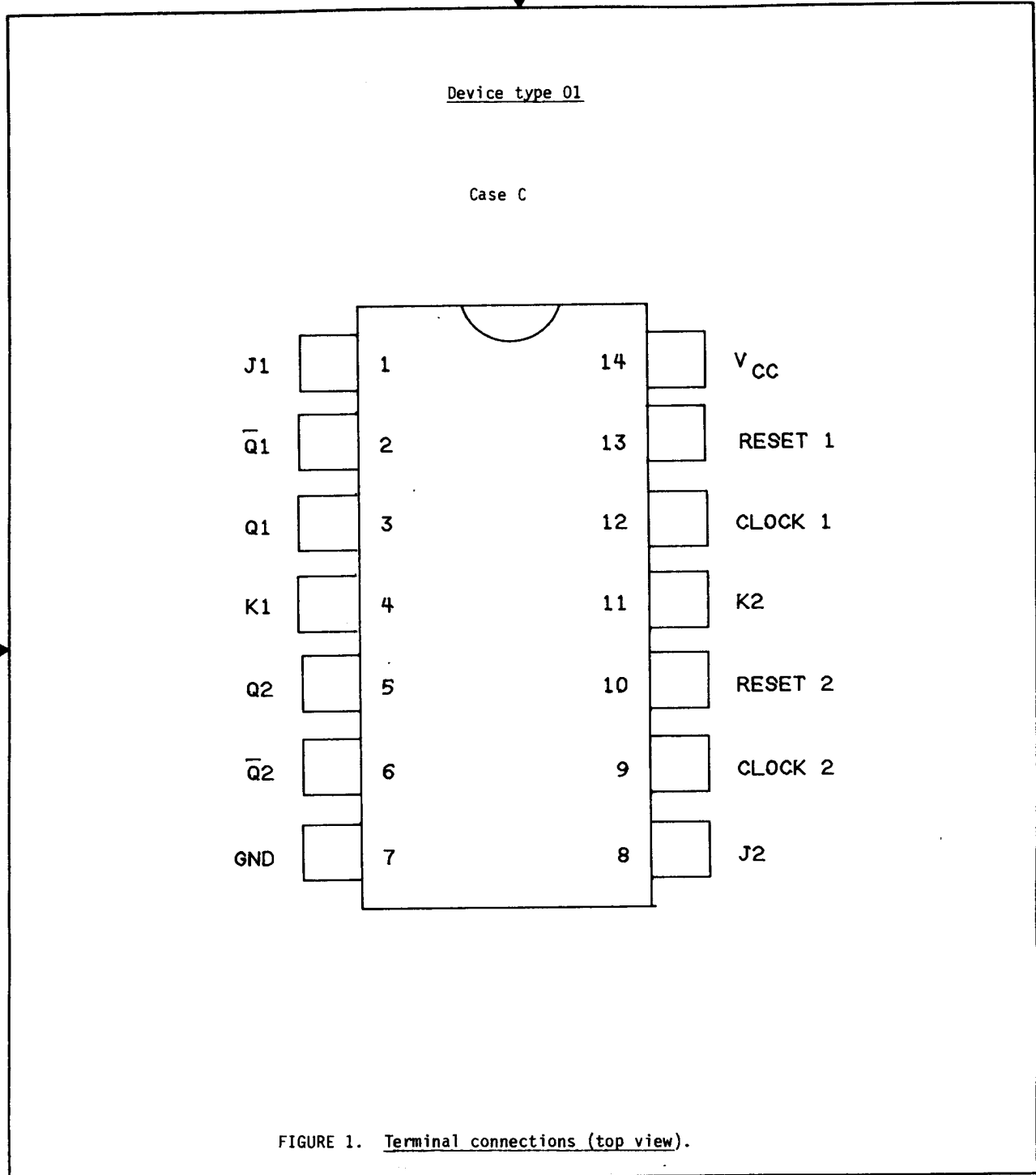


FIGURE 1. Terminal connections (top view).

<b>MILITARY DRAWING</b> DEFENSE ELECTRONICS SUPPLY CENTER DAYTON, OHIO	SIZE A	CODE IDENT. NO. <b>14933</b>	DWG NO. 5962-85154
		REV	PAGE 8

DESC FORM 193A  
FEB 86



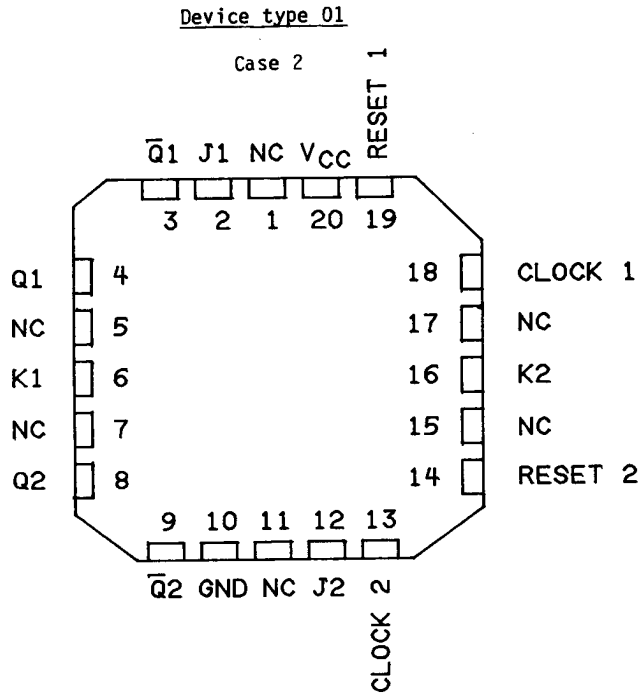


FIGURE 1. Terminal connections (top View) - Continued.

Inputs				Outputs	
Reset	Clock	J	K	Q	$\bar{Q}$
L	X	X	X	L	H
H		L	L	No change	
H		L	H	L	H
H		H	L	H	L
H		H	H	Toggle	
H	L	X	X	No change	
H	H	X	X	No change	
H		X	X	No change	

FIGURE 2. Truth table.

<b>MILITARY DRAWING</b> DEFENSE ELECTRONICS SUPPLY CENTER DAYTON, OHIO	SIZE A	CODE IDENT. NO. <b>14933</b>	DWG NO. 5962-85154
		REV	PAGE 9

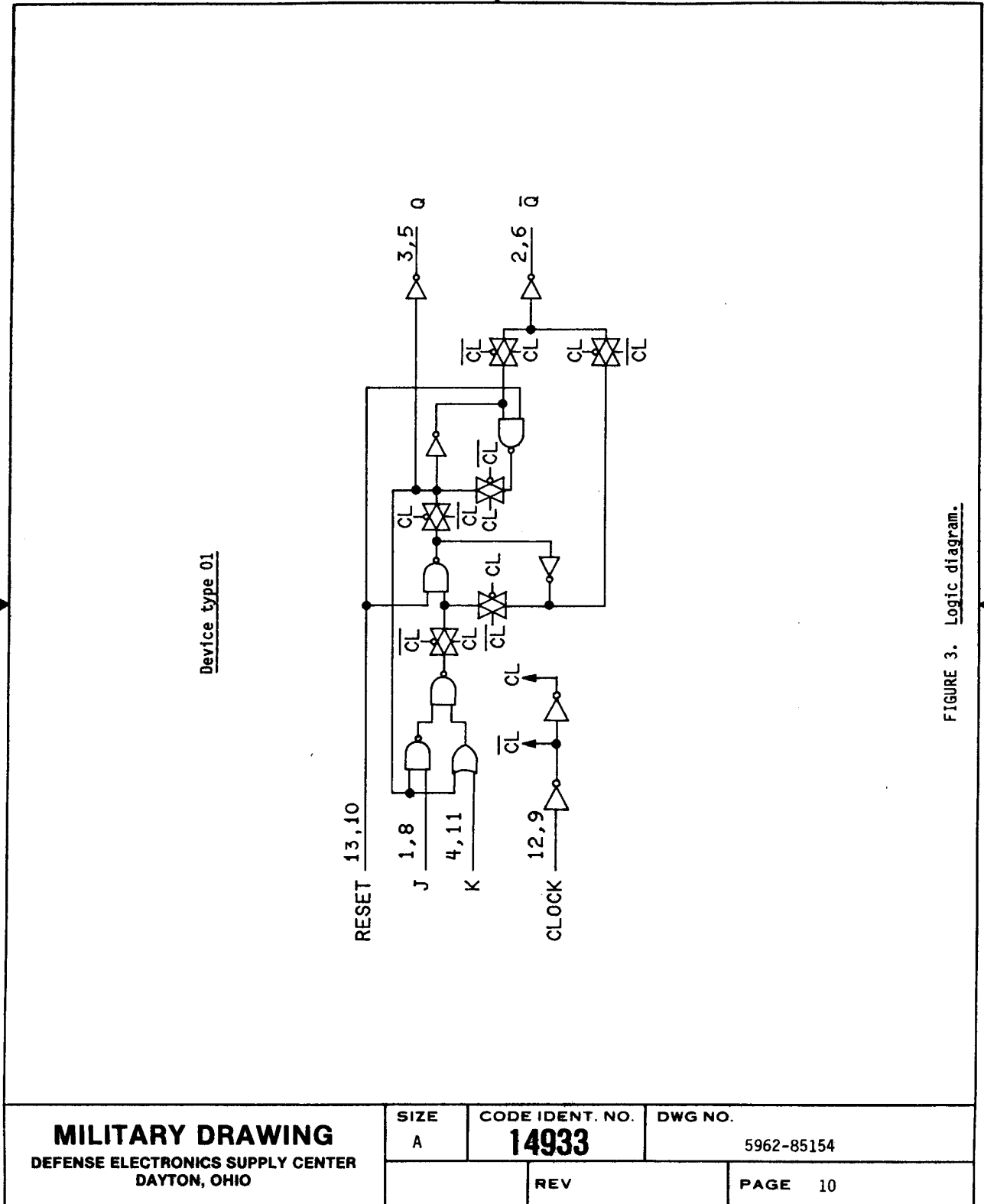


FIGURE 3. Logic diagram.

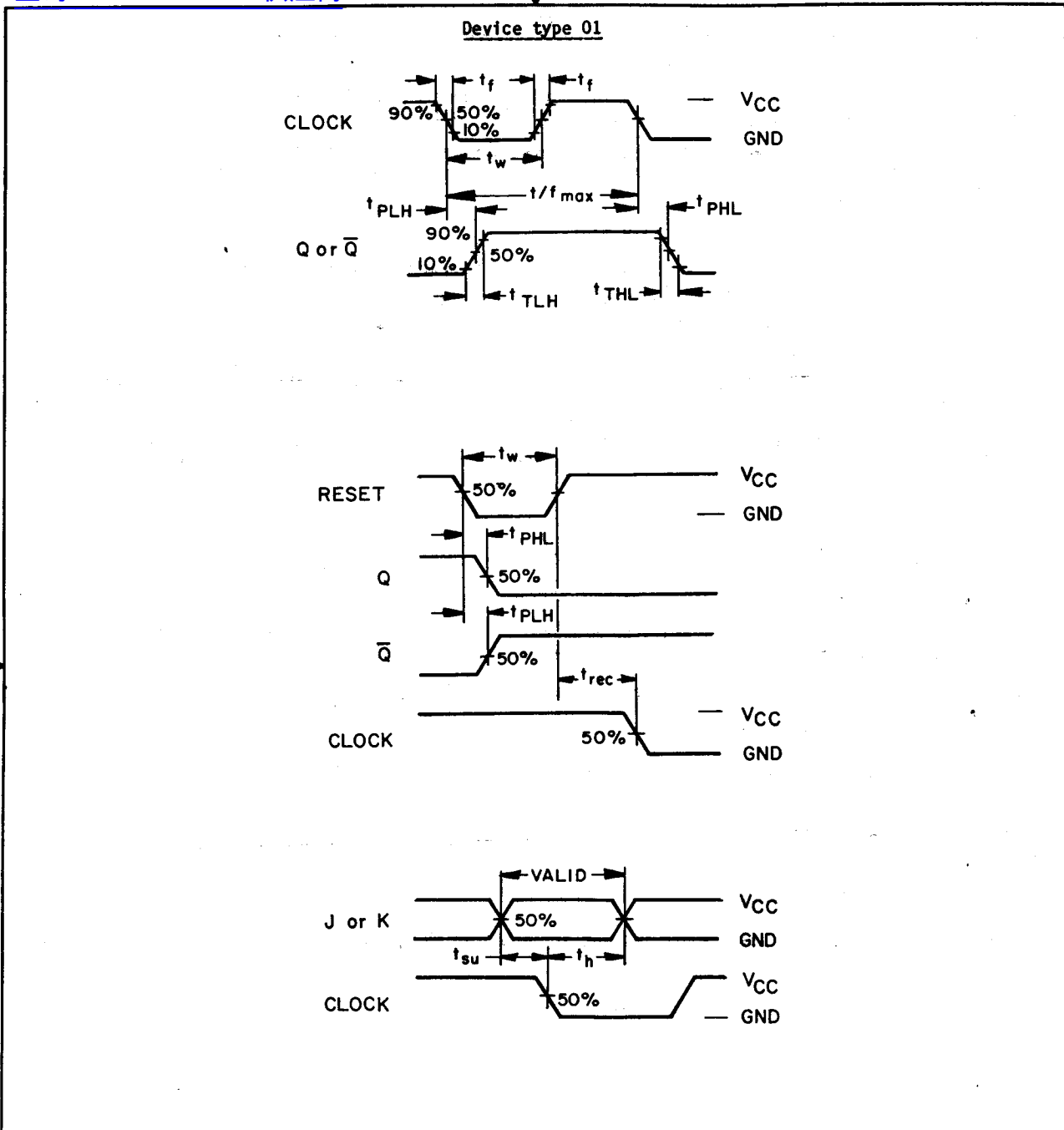


FIGURE 4. Switching waveforms.

<b>MILITARY DRAWING</b> DEFENSE ELECTRONICS SUPPLY CENTER DAYTON, OHIO	SIZE A	CODE IDENT. NO. <b>14933</b>	DWG NO. 5962-85154
		REV	PAGE 11

DESC FORM 193A  
FEB 66

4. QUALITY ASSURANCE PROVISIONS

4.1 Sampling and inspection. Sampling and inspection procedures shall be in accordance with section 4 of MIL-M-38510 to the extent specified in MIL-STD-883 (see 3.1 herein).

4.2 Screening. Screening shall be in accordance with method 5004 of MIL-STD-883, and shall be conducted on all devices prior to quality conformance inspection. The following additional criteria shall apply:

- a. Burn-in test (method 1015 of MIL-STD-883).
  - (1) Test condition A, B, C, or D using the circuit submitted with the certificate of compliance (see 3.5 herein).
  - (2)  $T_A = +125^{\circ}\text{C}$ , minimum.
- b. Interim and final electrical test parameters shall be as specified in table II herein, except interim electrical parameter tests prior to burn-in are optional at the discretion of the manufacturer.

4.3 Quality conformance inspection. Quality conformance inspection shall be in accordance with method 5005 of MIL-STD-883 including groups A, B, C, and D inspections. The following additional criteria shall apply.

4.3.1 Group A inspection.

- a. Tests shall be as specified in table II herein.
- b. Subgroups 5, 6, and 8 in table I, method 5005 of MIL-STD-883 shall be omitted.
- c. Subgroup 4 ( $C_{IN}$  measurement) shall be measured only for the initial test and after process or design changes which may affect input capacitance.
- d. Subgroup 7 tests sufficiently to verify the truth table.

4.3.2 Groups C and D inspections.

- a. End-point electrical parameters shall be as specified in table II herein.
- b. Steady-state life test (method 1005 of MIL-STD-883) conditions:
  - (1) Test condition A, B, C, or D using the circuit submitted with the certificate of compliance (see 3.5 herein).
  - (2)  $T_A = +125^{\circ}\text{C}$ , minimum.
  - (3) Test duration: 1,000 hours, except as permitted by appendix B of MIL-M-38510 and method 1005 of MIL-STD-883.

<b>MILITARY DRAWING</b> DEFENSE ELECTRONICS SUPPLY CENTER DAYTON, OHIO	SIZE A	CODE IDENT. NO. <b>14933</b>	DWG NO. 5962-85154
		REV	PAGE 12

DESC FORM 193A  
FEB 86

TABLE II. Electrical test requirements.

MIL-STD-883 test requirements	Subgroups (per method 5005, table I)
Interim electrical parameters (method 5004)	---
Final electrical test parameters (method 5004)	1*, 2, 9
Group A test requirements (method 5005)	1, 2, 3, 4, 7, 9, 10, 11**
Groups C and D end-point electrical parameters (method 5005)	1, 2, 3

- \* PDA applies to subgroup 1.
- \*\* Subgroups 10 and 11, if not tested, shall be guaranteed to the specified limits in table I.

5. PACKAGING

5.1 Packaging requirements. The requirements for packaging shall be in accordance with MIL-M-38510.

6. NOTES

6.1 Intended use. Microcircuits conforming to this drawing are intended for use when military specifications do not exist and qualified military devices that will perform the required function are not available for OEM application. When a military specification exists and the product covered by this drawing has been qualified for listing on QPL-38510, the device specified herein will be inactivated and will not be used for new design. The QPL-38510 product shall be the preferred item for all applications.

6.2 Replaceability. Replaceability is determined as follows:

- a. Microcircuits covered by this drawing will replace the same generic device covered by a contractor-prepared specification or drawing.
- b. When a QPL source is established, the part numbered device specified in this drawing will be replaced by the microcircuit identified as part number M38510/65303B--.

6.3 Comments. Comments on this drawing should be directed to DESC-ECS, Dayton, Ohio 45444, or telephone 513-296-5375.

<b>MILITARY DRAWING</b> DEFENSE ELECTRONICS SUPPLY CENTER DAYTON, OHIO	SIZE A	CODE IDENT. NO. <b>14933</b>	DWG NO. 5962-85154
		REV	PAGE 13



6.4 Approved sources of supply. Approved sources of supply are listed herein. Additional sources will be added as they become available. The vendors listed herein have agreed to this drawing and a certificate of compliance (see 3.5 herein) has been submitted to DESC-ECS.

Military drawing part number	Vendor CAGE number	Vendor similar part number <u>1/</u>	Replacement military specification part number <u>2/</u>
5962-8515401CX 5962-8515401CX	04713 01295	54HC107/BCAJC SNJ54HC107J	M38510/65303BCX M39510/65303BCX
5962-85154012X 5962-85154012X	04713 01295	54HC107M/B2CJC SNJ54HC107FK	M38510/65303B2X M38510/65303B2X
5962-8515401CX	27014	MM54HC107J/883B	M38510/65303BCX
5962-8515401CX	18714	CD54HC107F/3A	M38510/65303BCX

1/ Caution. Do not use this number for item acquisition. Items acquired to this number may not satisfy the performance requirements of this drawing.

<u>Vendor CAGE number</u>	<u>Vendor name and address</u>
04713	Motorola Inc. 7402 S. Price Rd. Tempe, AZ 85283
27014	National Semiconductor P.O. Box 58090 Santa Clara, CA 95052-8090
18714	RCA Solid State Division Route 202 Somerville, NJ 08876
01295	Texas Instruments, Inc. P.O. Box 6448 Midland, TX 79701

<b>MILITARY DRAWING</b> DEFENSE ELECTRONICS SUPPLY CENTER DAYTON, OHIO	SIZE A	CODE IDENT. NO. <b>14933</b>	DWG NO. 5962-85154
		REV A	PAGE 14

DESC FORM 193A  
FEB 86

