

## 12-Bit, 1-GSPS Analog-to-Digital Converter

Check for Samples: [ADS5400](#)

### FEATURES

- 1-GSPS Sample Rate
- 12-Bit Resolution
- 2.1 GHz Input Bandwidth
- SFDR = 66 dBc at 1.2 GHz
- SNR = 57.6 dBFS at 1.2 GHz
- 7 Clock Cycle Latency
- Interleave Friendly: Internal Adjustments for Gain, Phase, and Offset
- 1.5V to 2V Selectable Full-Scale Range
- LVDS-Compatible Outputs, 1 or 2 Bus Options
- Total Power Dissipation: 2.15 W

- On-Chip Analog Buffer
- 100-Pin TQFP PowerPAD™ Package (16-mm × 16-mm Footprint With Leads)
- Industrial Temperature Range = –40°C to 85°C

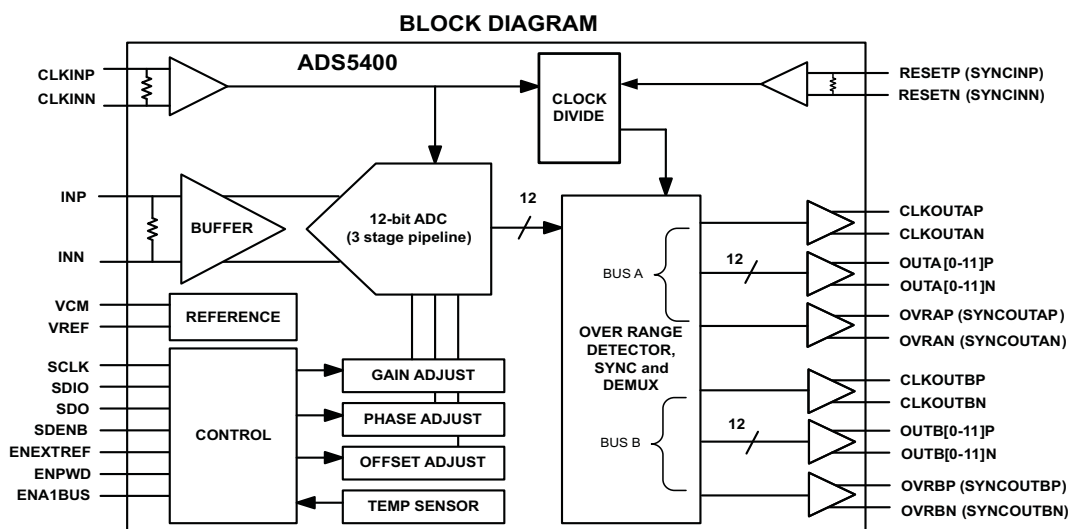
### APPLICATIONS

- Test and Measurement Instrumentation
- Ultra-Wide Band Software-Defined Radio
- Data Acquisition
- Power Amplifier Linearization
- Signal Intelligence and Jamming
- Radar

### DESCRIPTION

The ADS5400 is a 12-bit, 1-GSPS analog-to-digital converter (ADC) that operates from both a 5-V supply and 3.3-V supply, while providing LVDS-compatible digital outputs. The analog input buffer isolates the internal switching of the track and hold from disturbing the signal source. The simple 3-stage pipeline provides extremely low latency for time critical applications. Designed for the conversion of signals up to 2 GHz of input frequency at 1 GSPS, the ADS5400 has outstanding low noise performance and spurious-free dynamic range over a large input frequency range.

The ADS5400 is available in a TQFP-100 PowerPAD™ package. The combination of the PowerPAD package and moderate power consumption of the ADS5400 allows for operation without an external heatsink. The ADS5400 is built on Texas Instrument's complementary bipolar process (BiCom3) and is specified over the full industrial temperature range (–40°C to 85°C).



Please be aware that an important notice concerning availability, standard warranty, and use in critical applications of Texas Instruments semiconductor products and disclaimers thereto appears at the end of this data sheet.

PowerPAD is a trademark of Texas Instruments.

All other trademarks are the property of their respective owners.



These devices have limited built-in ESD protection. The leads should be shorted together or the device placed in conductive foam during storage or handling to prevent electrostatic damage to the MOS gates.

**Table 1. PACKAGE/ORDERING INFORMATION**

PRODUCT	PACKAGE-LEAD	PACKAGE DESIGNATOR <sup>(1)</sup>	SPECIFIED TEMPERATURE RANGE	PACKAGE MARKING	ORDERING NUMBER	TRANSPORT MEDIA, QUANTITY
ADS5400	HTQFP-100 PowerPAD	PZP	-40°C to 85°C	ADS5400I	ADS5400IPZP	Tray, 90
					ADS5400IPZPR	Tape and reel, 1000

(1) For the most current package and ordering information, see the Package Option Addendum at the end of this document, or see the TI website at [www.ti.com](http://www.ti.com).

**ABSOLUTE MAXIMUM RATINGS**

over operating free-air temperature range (unless otherwise noted)<sup>(1)</sup>

				VALUE	UNIT
Supply voltage	AVDD5 to GND			6	V
	AVDD3 to GND			5	V
	DVDD3 to GND			5	V
	AINP, AINN to GND <sup>(2)</sup>		voltage difference between pin and ground	0.5 to 4.5	V
	AINP to AINN <sup>(2)</sup>	voltage difference between pins, common mode at AVDD5/2	short duration	-0.3 to (AVDD5 + 0.3)	V
			continuous AC signal	1.25 to 3.75	V
			continuous DC signal	1.75 to 3.25	V
	CLKINP, CLKINN to GND <sup>(2)</sup>		voltage difference between pin and ground	0.5 to 4.5	V
	CLKINP to CLKINN <sup>(2)</sup>	voltage difference between pins, common mode at AVDD5/2	continuous AC signal	1.1 to 3.9	V
			continuous DC signal	2 to 3	V
	RESETP, RESETN to GND <sup>(2)</sup>		voltage difference between pin and ground	-0.3 to (AVDD5 + 0.3)	V
	RESETP to RESETN <sup>(2)</sup>	voltage difference between pins	continuous AC signal	1.1 to 3.9	V
			continuous DC signal	2 to 3	V
Data/OVR Outputs to GND <sup>(2)</sup>	voltage difference between pin and ground		-0.3 to (DVDD3 + 0.3)	V	
SDENB, SDIO, SCLK to GND <sup>(2)</sup>			-0.3 to (AVDD3 + 0.3)		
ENA1BUS, ENPWD, ENEXTREF to GND <sup>(2)</sup>			-0.3 to (AVDD5 + 0.3)		
Operating temperature range				-40 to 85	°C
Maximum junction temperature, T <sub>J</sub>				150	°C
Storage temperature range				-65 to 150	°C
ESD, human-body model (HBM)				2	kV

- (1) Stresses above these ratings may cause permanent damage. Exposure to absolute maximum conditions for extended periods may degrade device reliability. These are stress ratings only, and functional operation of the device at these or any other conditions beyond those specified is not implied. Kirkendall voidings and current density information for calculation of expected lifetime is available upon request.
- (2) Valid when supplies are within recommended operating range.

**THERMAL CHARACTERISTICS<sup>(1)</sup>**

PARAMETER	TEST CONDITIONS	TYP	UNIT
R <sub>θJA</sub> <sup>(2)</sup>	Soldered thermal pad, no airflow	28.4	°C/W
	Soldered thermal pad, 150-LFM airflow	16.6	
	Soldered thermal pad, 250-LFM airflow	13.5	
R <sub>θJP</sub> <sup>(3)</sup>	Bottom of package (thermal pad)	0.16	°C/W

- (1) Using 25 thermal pad vias (5 x 5 array). See [PowerPAD Package](#) in the *Application Information* section.
- (2) R<sub>θJA</sub> is the thermal resistance from the junction to ambient.
- (3) R<sub>θJP</sub> is the thermal resistance from the junction to the thermal pad.

**RECOMMENDED OPERATING CONDITIONS**

	MIN	TYP	MAX	UNIT
<b>SUPPLIES</b>				
Analog supply voltage, AVDD5	4.75	5	5.25	V
Analog supply voltage, AVDD3	3.135	3.3	3.465	V
Digital supply voltage, DVDD3	3.135	3.3	3.465	V
<b>ANALOG INPUT</b>				
Full-scale differential input range	1.52		2	$V_{pp}$
$V_{CM}$ Input common mode	AVDD5/2			V
<b>DIGITAL OUTPUT</b>				
Differential output load	5			pF
<b>CLOCK INPUT</b>				
CLK input sample rate (sine wave)	100		1000	MSPS
Clock amplitude, differential	0.6		1.5	$V_{pp}$
Clock duty cycle	45%	50%	55%	
$T_A$ Open free-air temperature	-40		85	°C

**ELECTRICAL CHARACTERISTICS**

Typical values at  $T_A = 25^\circ\text{C}$ , minimum and maximum values over full temperature range  $T_{MIN} = -40^\circ\text{C}$  to  $T_{MAX} = 85^\circ\text{C}$ , sampling rate = 1 GSPS, 50% clock duty cycle, AVDD5 = 5 V, AVDD3 = 3.3 V, DVDD3 = 3.3 V, -1-dBFS differential input, and 1.5  $V_{pp}$  differential clock (unless otherwise noted)

PARAMETER	TEST CONDITIONS/NOTES	MIN	TYP	MAX	UNIT
<b>ANALOG INPUTS</b>					
Full-scale differential input range	Programmable	1.52		2	$V_{pp}$
$V_{CM}$ Common-mode input	Self-biased to AVDD5 / 2	AVDD5/2			V
$R_{IN}$ Input resistance, differential (dc)		85	100	115	$\Omega$
$C_{IN}$ Input capacitance	Estimated to ground from each AIN pin, excluding soldered package	0.8			pF
CMRR Common-mode rejection ratio	Common mode signal = 125 MHz	40			dB
<b>INTERNAL REFERENCE VOLTAGE</b>					
$V_{REF}$ Reference voltage		2			V
<b>DYNAMIC ACCURACY</b>					
Resolution	No missing codes	12			Bits
DNL Differential linearity error	$f_{IN} = 125$ MHz	-1	$\pm 0.7$	2	LSB
INL Integral non-linearity error	$f_{IN} = 125$ MHz	-4	$\pm 2$	4.5	LSB
Offset error	default is trimmed near 0mV	-2.5	0	2.5	mV
Offset temperature coefficient		0.02			mV/°C
Gain error		-5			%FS
Gain temperature coefficient		0.03			%FS/°C

查询ADS5400 快返商

**ELECTRICAL CHARACTERISTICS (continued)**

Typical values at  $T_A = 25^\circ\text{C}$ , minimum and maximum values over full temperature range  $T_{\text{MIN}} = -40^\circ\text{C}$  to  $T_{\text{MAX}} = 85^\circ\text{C}$ , sampling rate = 1 GSPS, 50% clock duty cycle, AVDD5 = 5 V, AVDD3 = 3.3 V, DVDD3 = 3.3 V, -1-dBFS differential input, and 1.5  $V_{\text{PP}}$  differential clock (unless otherwise noted)

PARAMETER		TEST CONDITIONS/NOTES	MIN	TYP	MAX	UNIT	
<b>POWER SUPPLY (1)</b>							
$I_{(\text{AVDD5})}$	5-V analog supply current (Bus A and B active)	$f_{\text{IN}} = 125 \text{ MHz}$ , $f_{\text{S}} = 1 \text{ GSPS}$		220	234	mA	
	5-V analog supply current (Bus A active)			225	241	mA	
$I_{(\text{AVDD3})}$	3.3-V analog supply current (Bus A and B active)			219	234	mA	
	3.3-V analog supply current (Bus A active)			226	242	mA	
$I_{(\text{DVDD3})}$	3.3-V digital supply current (Bus A and B active)			136	154	mA	
	3.3-V digital supply current (Bus A active)			71	81	mA	
Total power dissipation (BUS A and B active)					2.28	2.45	W
Total power dissipation (Bus A active)					2.15	2.25	W
Total power dissipation			ENPWD = logic High (sleep enabled)		13	50	mW
Wake-up time from sleep					1.8		ms
PSRR	Power-supply rejection ratio	1MHz injected to each supply, measured without external decoupling		50		dB	
<b>DYNAMIC AC CHARACTERISTICS</b>							
SNR	Signal-to-noise ratio	$f_{\text{IN}} = 125 \text{ MHz}$	57	58.5	dBFS		
		$f_{\text{IN}} = 600 \text{ MHz}$	56.5	58.2			
		$f_{\text{IN}} = 850 \text{ MHz}$	56	57.8			
		$f_{\text{IN}} = 1200 \text{ MHz}$		57.6			
		$f_{\text{IN}} = 1700 \text{ MHz}$		55.7			
SFDR	Spurious-free dynamic range	$f_{\text{IN}} = 125 \text{ MHz}$	65	75	dBc		
		$f_{\text{IN}} = 600 \text{ MHz}$	63	72			
		$f_{\text{IN}} = 850 \text{ MHz}$	60	71			
		$f_{\text{IN}} = 1200 \text{ MHz}$		66			
		$f_{\text{IN}} = 1700 \text{ MHz}$		56			
HD2	Second harmonic	$f_{\text{IN}} = 125 \text{ MHz}$	65	78	dBc		
		$f_{\text{IN}} = 600 \text{ MHz}$	63	78			
		$f_{\text{IN}} = 850 \text{ MHz}$	60	71			
		$f_{\text{IN}} = 1200 \text{ MHz}$		66			
		$f_{\text{IN}} = 1700 \text{ MHz}$		56			
HD3	Third harmonic	$f_{\text{IN}} = 125 \text{ MHz}$	65	80	dBc		
		$f_{\text{IN}} = 600 \text{ MHz}$	63	72			
		$f_{\text{IN}} = 850 \text{ MHz}$	60	72			
		$f_{\text{IN}} = 1200 \text{ MHz}$		70			
		$f_{\text{IN}} = 1700 \text{ MHz}$		65			

(1) All power values assume LVDS output current is set to 3.5mA.

**ELECTRICAL CHARACTERISTICS (continued)**

Typical values at  $T_A = 25^\circ\text{C}$ , minimum and maximum values over full temperature range  $T_{\text{MIN}} = -40^\circ\text{C}$  to  $T_{\text{MAX}} = 85^\circ\text{C}$ , sampling rate = 1 GSPS, 50% clock duty cycle, AVDD5 = 5 V, AVDD3 = 3.3 V, DVDD3 = 3.3 V, -1-dBFS differential input, and 1.5 V<sub>PP</sub> differential clock (unless otherwise noted)

PARAMETER		TEST CONDITIONS/NOTES	MIN	TYP	MAX	UNIT
Worst harmonic/spur (other than HD2 and HD3)		$f_{\text{IN}} = 125 \text{ MHz}$	65	80		dBc
		$f_{\text{IN}} = 600 \text{ MHz}$	63	72		
		$f_{\text{IN}} = 850 \text{ MHz}$	60	72		
		$f_{\text{IN}} = 1200 \text{ MHz}$		66		
		$f_{\text{IN}} = 1700 \text{ MHz}$		64		
THD Total Harmonic Distortion		$f_{\text{IN}} = 125 \text{ MHz}$	63	71.7		dBc
		$f_{\text{IN}} = 600 \text{ MHz}$	62	67		
		$f_{\text{IN}} = 850 \text{ MHz}$	59	66.5		
		$f_{\text{IN}} = 1200 \text{ MHz}$		65.1		
		$f_{\text{IN}} = 1700 \text{ MHz}$		55.7		
SINAD Signal-to-noise and distortion		$f_{\text{IN}} = 125 \text{ MHz}$	56	58.5		dBFS
		$f_{\text{IN}} = 600 \text{ MHz}$	55	58.2		
		$f_{\text{IN}} = 850 \text{ MHz}$	54	57.8		
		$f_{\text{IN}} = 1200 \text{ MHz}$		57.5		
		$f_{\text{IN}} = 1700 \text{ MHz}$		54.2		
Two-tone SFDR		$f_{\text{IN1}} = 247.5 \text{ MHz}, f_{\text{IN2}} = 252.5 \text{ MHz},$ each tone at -7 dBFS		74.6		dBFS
		$f_{\text{IN1}} = 247.5 \text{ MHz}, f_{\text{IN2}} = 252.5 \text{ MHz},$ each tone at -11 dBFS		80.4		
		$f_{\text{IN1}} = 1197.5 \text{ MHz}, f_{\text{IN2}} = 1202.5 \text{ MHz},$ each tone at -7 dBFS		70		
		$f_{\text{IN1}} = 1197.5 \text{ MHz}, f_{\text{IN2}} = 1202.5 \text{ MHz},$ each tone at -11 dBFS		78.3		
ENOB Effective number of bits (using SINAD in dBFS)		$f_{\text{IN}} = 125 \text{ MHz}$	9	9.42		Bits
		$f_{\text{IN}} = 600 \text{ MHz}$	8.84	9.37		
		$f_{\text{IN}} = 850 \text{ MHz}$	8.67	9.3		
RMS idle-channel noise	Inputs tied to common-mode			1.41		LSB rms
				60.2		dBFS

**SWITCHING CHARACTERISTICS**

Typical values at  $T_A = 25^\circ\text{C}$ , Min and Max values over full temperature range  $T_{\text{MIN}} = -40^\circ\text{C}$  to  $T_{\text{MAX}} = 85^\circ\text{C}$ , sampling rate = 1 GSPS, 50% clock duty cycle, AVDD5 = 5 V, AVDD3 = 3.3 V, DVDD3 = 3.3 V, and 1.5 V<sub>PP</sub> differential clock (unless otherwise noted)

PARAMETER		TEST CONDITIONS/NOTES	MIN	TYP	MAX	UNIT
<b>LVDS DIGITAL OUTPUTS (DATA, OVR/SYNCOUT, CLKOUT)</b>						
V <sub>OD</sub>	Differential output voltage (±)	Terminated 100 Ω differential	247	350	454	mV
V <sub>OC</sub>	Common mode output voltage		1.125	1.25	1.375	V
<b>LVDS DIGITAL INPUTS (RESET)</b>						
V <sub>ID</sub>	Differential input voltage (±)	Each input pin	175	350		mV
V <sub>IC</sub>	Common mode input voltage		0.1	1.25	2.4	V
R <sub>IN</sub>	Input resistance		85	100	115	Ω
C <sub>IN</sub>	Input capacitance	Each pin to ground		0.6		pF

查询ADS5400 快返商

### SWITCHING CHARACTERISTICS (continued)

Typical values at  $T_A = 25^\circ\text{C}$ , Min and Max values over full temperature range  $T_{\text{MIN}} = -40^\circ\text{C}$  to  $T_{\text{MAX}} = 85^\circ\text{C}$ , sampling rate = 1 GSPS, 50% clock duty cycle, AVDD5 = 5 V, AVDD3 = 3.3 V, DVDD3 = 3.3 V, and 1.5 V<sub>pp</sub> differential clock (unless otherwise noted)

PARAMETER	TEST CONDITIONS/NOTES	MIN	TYP	MAX	UNIT	
<b>DIGITAL INPUTS (SCLK, SDIO, SDENB)</b>						
V <sub>IH</sub>	High level input voltage	2	AVDD3 + 0.3		V	
V <sub>IL</sub>	Low level input voltage	0		0.8	V	
I <sub>IH</sub>	High level input current		±1		μA	
I <sub>IL</sub>	Low level input current		±1		μA	
C <sub>IN</sub>	Input capacitance		2		pF	
<b>DIGITAL INPUTS ( ENEXTREF, ENPWD, ENA1BUS)</b>						
V <sub>IH</sub>	High level input voltage	2	AVDD5 + 0.3		V	
V <sub>IL</sub>	Low level input voltage	0		0.8	V	
I <sub>IH</sub>	High level input current		125		μA	
I <sub>IL</sub>	Low level input current	~40kΩ internal pull-down	20		μA	
C <sub>IN</sub>	Input capacitance		2		pF	
<b>DIGITAL OUTPUTS (SDIO, SDO)</b>						
V <sub>OH</sub>	High level output voltage	I <sub>OH</sub> = 250 μA	2.8		V	
V <sub>OL</sub>	Low level output voltage	I <sub>OL</sub> = 250 μA		0.4	V	
<b>CLOCK INPUTS</b>						
R <sub>IN</sub>	Differential input resistance	CLKINP, CLKINN	130	160	190	Ω
C <sub>IN</sub>	Input capacitance	Estimated to ground from each CLKIN pin, excluding soldered packaged		0.8		pF

### TIMING CHARACTERISTICS<sup>(1)</sup>

Typical values at  $T_A = 25^\circ\text{C}$ , Min and Max values over full temperature range  $T_{\text{MIN}} = -40^\circ\text{C}$  to  $T_{\text{MAX}} = 85^\circ\text{C}$ , sampling rate = 1 GSPS, 50% clock duty cycle, AVDD5 = 5 V, AVDD3 = 3.3 V, DVDD3 = 3.3 V, and 1.5 V<sub>pp</sub> differential clock (unless otherwise noted)

PARAMETER	TEST CONDITIONS/NOTES	MIN	TYP	MAX	UNIT		
t <sub>a</sub>	Aperture delay		250		ps		
	Aperture jitter, rms	Uncertainty of sample point due to internal jitter sources			fs		
Latency	Bus A, using Single Bus Mode		7		Cycles		
	Bus A, using Dual Bus Mode Aligned		7.5				
	Bus B, using Dual Bus Mode Aligned		8.5				
	Bus A and B, using Dual Bus Mode Staggered		7.5				
<b>LVDS OUTPUT TIMING (DATA, CLKOUT, OVR/SYNCOUT)<sup>(2)</sup></b>							
t <sub>CLK</sub>	Clock period		1	10	ns		
t <sub>CLKH</sub>	Clock pulse duration, high	Assuming worst case 45/55 duty cycle		0.45	ns		
t <sub>CLKL</sub>	Clock pulse duration, low	Assuming worst case 55/45 duty cycle		0.45	ns		
t <sub>PD-CLKDIV2</sub>	Clock propagation delay	CLKIN rising to CLKOUT rising in divide by 2 mode		700	1200	1700	ps
t <sub>PD-CLKDIV4</sub>	Clock propagation delay	CLKIN rising to CLKOUT rising in divide by 4 mode		700	1200	1700	ps
t <sub>PD-ADATA</sub>	Bus A data propagation delay	CLKIN falling to Data Output transition		700	1400	2100	ps
t <sub>PD-BDATA</sub>	Bus B data propagation delay			700	1400	2100	ps

(1) Timing parameters are specified by design or characterization, but not production tested.  
 (2) LVDS output timing measured with a differential 100Ω load placed ~4 inches from the ADS5400. Measured differential load capacitance is 3.5pF. Measurement probes and other parasitics add ~1pF. Total approximate capacitive load is 4.5pF differential. All timing parameters are relative to the device pins, with the loading as stated.

**TIMING CHARACTERISTICS <sup>(1)</sup> (continued)**

Typical values at  $T_A = 25^\circ\text{C}$ , Min and Max values over full temperature range  $T_{\text{MIN}} = -40^\circ\text{C}$  to  $T_{\text{MAX}} = 85^\circ\text{C}$ , sampling rate = 1 GSPS, 50% clock duty cycle, AVDD5 = 5 V, AVDD3 = 3.3 V, DVDD3 = 3.3 V, and 1.5 V<sub>PP</sub> differential clock (unless otherwise noted)

PARAMETER	TEST CONDITIONS/NOTES	MIN	TYP	MAX	UNIT	
$t_{\text{SU-SBM}}^{(3)}$	Setup time, single bus mode	Data valid to CLKOUT edge, 50% CLKIN duty cycle		290p	$(t_{\text{CLK}}/2) - 185\text{p}$	s
$t_{\text{H-SBM}}$	Hold time, single bus mode	CLKOUT edge to Data invalid, 50% CLKIN duty cycle		410p	$(t_{\text{CLK}}/2) - 65\text{p}$	s
$t_{\text{SU-DBM}}$	Setup time, dual bus mode	Data valid to CLKOUT edge, 50% CLKIN duty cycle		550p	$t_{\text{CLK}} - 425\text{p}$	s
$t_{\text{H-DBM}}$	Hold time, dual bus mode	CLKOUT edge to Data invalid, 50% CLKIN duty cycle		1150p	$t_{\text{CLK}} + 175\text{p}$	s
$t_r$	LVDS rise time	Mmeasured 20% to 80%		400		ps
$t_f$	LVDS output fall time			400		ps
<b>LVDS INPUT TIMING (RESETIN)</b>						
$t_{\text{RSU}}$	RESET setup time	RESETP going HIGH to CLKINP going LOW		300		ps
$t_{\text{RH}}$	RESET hold time	CLKINP going LOW to RESETP going LOW		300		ps
	RESET input capacitance	Differential			1	pF
	RESET input current				$\pm 1$	$\mu\text{A}$
<b>SERIAL INTERFACE TIMING</b>						
$t_{\text{S-SDENB}}$	Setup time, serial enable	SDENB falling to SCLK rising		20		ns
$t_{\text{H-SDENB}}$	Hold time, serial enable	SCLK falling to SENDB rising		25		ns
$t_{\text{S-SDIO}}$	Setup time, SDIO	SDIO valid to SCLK rising		10		ns
$t_{\text{H-SDIO}}$	Hold time, SDIO	SCLK rising to SDIO transition		10		ns
$f_{\text{SCLK}}$	Frequency				10	MHz
$t_{\text{SCLK}}$	SCLK period			100		ns
$t_{\text{SCLKH}}$	Minimum SCLK high time			40		ns
$t_{\text{SCLKL}}$	Minimum SCLK low time			40		ns
$t_r$	Rise time	10pF			10	ns
$t_f$	Fall time	10pF			10	ns
$t_{\text{DDATA}}$	Data output delay	Data output (SDO/SDIO) delay after SCLK falling, 10pF load		75		ns

(3) In single bus mode at 1GSPS (1ns clock), the minimum output setup/hold times over process and temperature provide a minimum 700ps of data valid window, with 300ps of uncertainty.

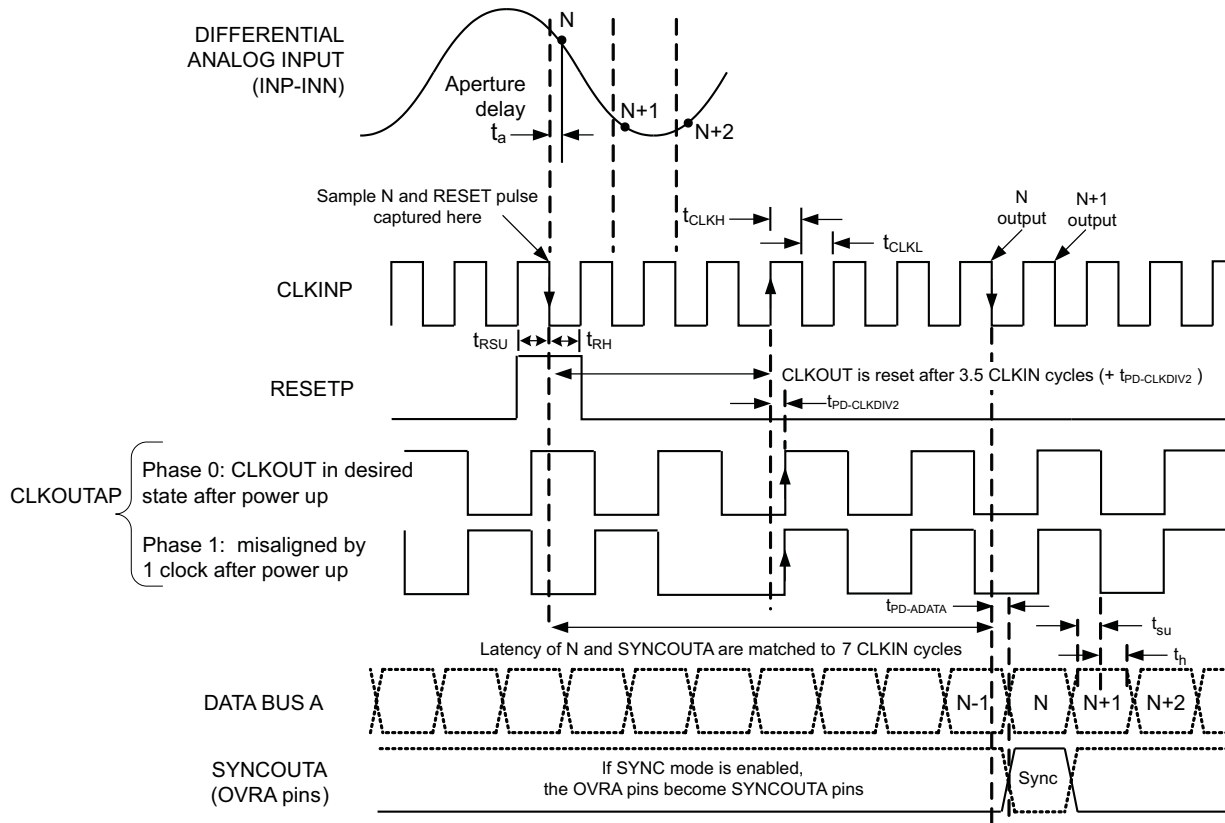
## INTERLEAVING ADJUSTMENTS

Typical values at  $T_A = 25^\circ\text{C}$ , Min and Max values over full temperature range  $T_{\text{MIN}} = -40^\circ\text{C}$  to  $T_{\text{MAX}} = 85^\circ\text{C}$ , sampling rate = 1 GSPS, 50% clock duty cycle, AVDD5 = 5 V, AVDD3 = 3.3 V, DVDD3 = 3.3 V, and 1.5 V<sub>PP</sub> differential clock (unless otherwise noted)

PARAMETER		TEST CONDITIONS	MIN	TYP	MAX	UNIT
<b>OFFSET ADJUSTMENTS</b>						
	Resolution		9			Bits
	LSB magnitude	at full scale range of 2V <sub>PP</sub>		120		μV
DNL	Differential linearity error		-2.5		2.5	LSB
INL	Integral Non-Linearity error		-3		3	LSB
	Recommended Min Offset Setting	from default offset value, to maintain AC performance		-8		mV
	Recommended Max Offset Setting			8		mV
<b>GAIN ADJUSTMENTS</b>						
	Resolution		12			Bits
	LSB magnitude			120		μV
DNL	Differential linearity error		-4	-2, +1	4	LSB
INL	Integral Non-Linearity error		-8	-2, +4	8	LSB
	Min Gain Setting			1.52		V <sub>PP</sub>
	Max Gain Setting			2		V <sub>PP</sub>
<b>INPUT CLOCK FINE PHASE ADJUSTMENT</b>						
	Resolution		6			Bits
	LSB magnitude			116		fs
DNL	Differential linearity error		-2		2.5	LSB
INL	Integral Non-Linearity error		-2.5		4	LBS
	Max Fine Clock Skew setting			7.4		ps
<b>INPUT CLOCK COARSE PHASE ADJUSTMENT</b>						
	Resolution		5			Bits
	LSB magnitude			2.4		ps
DNL	Differential linearity error		-1		1	LSB
INL	Integral Non-Linearity error		-1		5	LSB
	Max Coarse Clock Skew setting			73		ps



Timing Diagrams

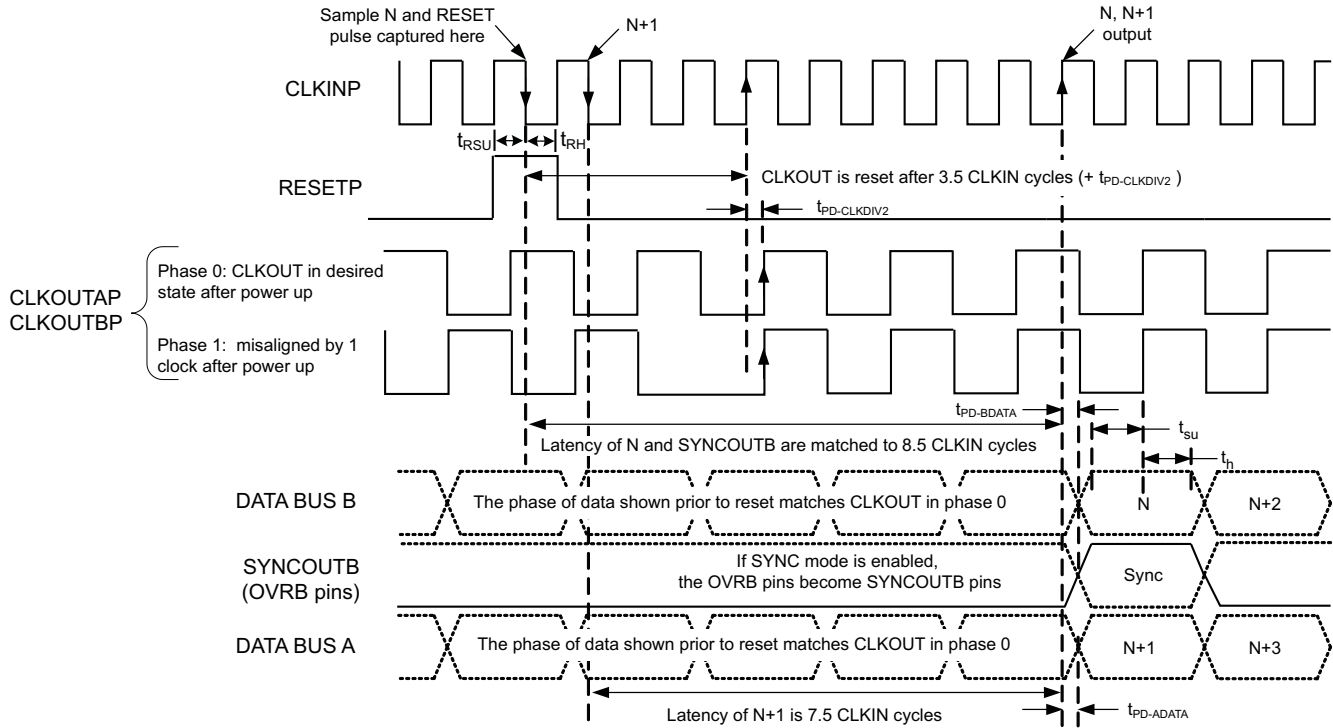


Propagation delays and setup/hold times not drawn to scale. RESET and SYNCOUT are optional. Any clock phase will work properly, but makes synchronization of data capture across multiple ADCs difficult without a known CLKOUT phase. RESET can be a single pulse (as shown), low-to-high step or repetitive pulse input signal. The frequency of repetitive RESET pulses should not exceed  $CLKIN/2$ , and should be an even divisor of CLKIN, in order to keep the CLKOUT phase the same with each RESET event. SYNCOUTA transitions with the same latency as the sample that is present when the RESET pulse is captured, shown here as sample N. Each RESET captured generates a SYNCOUT pulse, which behaves as a data bit. Bus B is not active in single bus mode.

Figure 1. Single Bus Mode

[查询ADS5400 快应用](#)

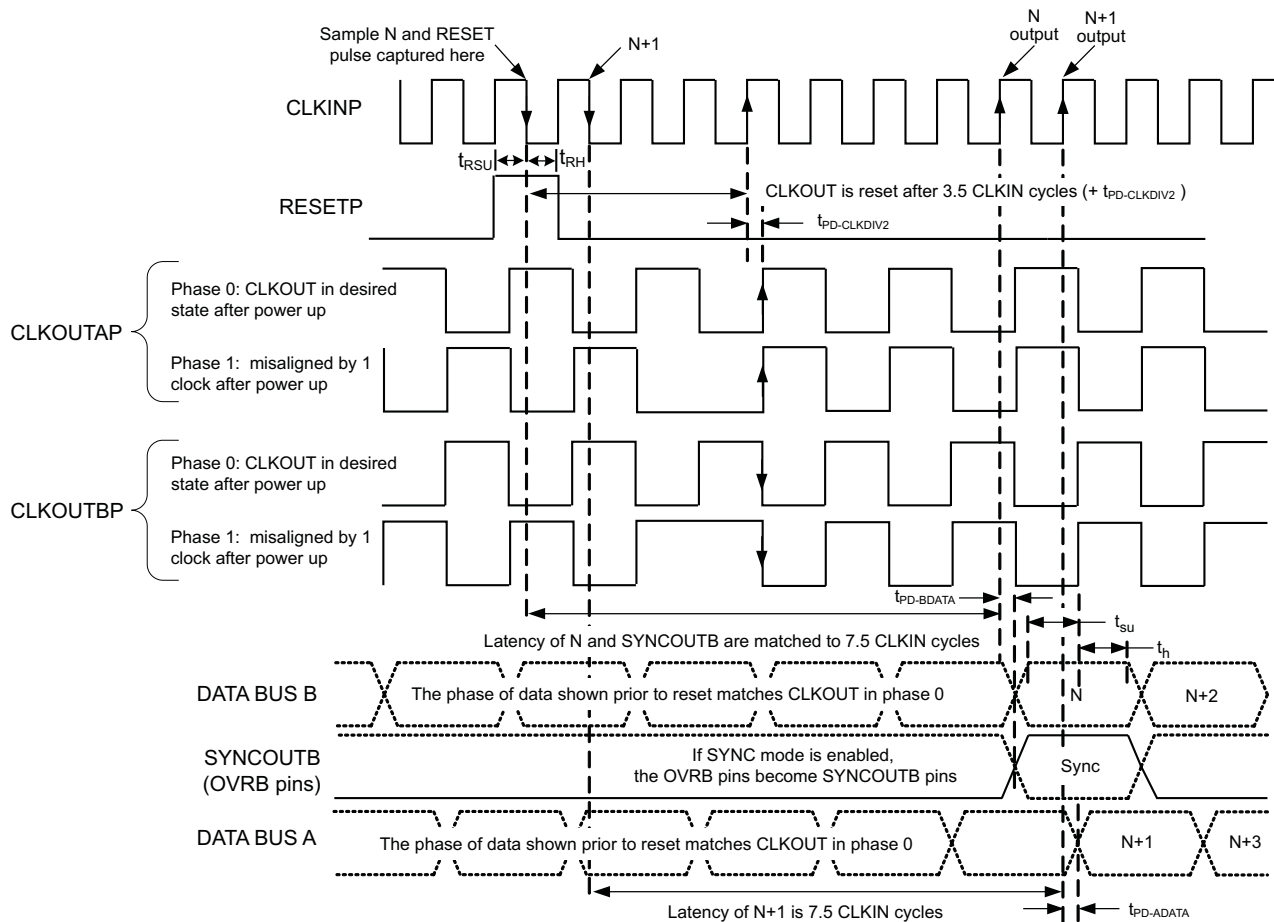
Timing Diagrams (continued)



Propagation delays and setup/hold times not drawn to scale. RESET and SYNCOUT are optional. Any clock phase will work properly, but makes synchronization of data capture across multiple ADCs difficult without a known CLKOUT phase. RESET can be a single pulse (as shown), low-to-high step or repetitive pulse input signal. The frequency of repetitive RESET pulses should not exceed CLKIN/2, and should be an even divisor of CLKIN, in order to keep the CLKOUT phase the same with each RESET event. SYNCOUTB transitions with the same latency as the sample that is present when the RESET pulse is captured, shown here as sample N. Each RESET captured generates a SYNCOUT pulse, which behaves as a data bit.

Figure 2. Dual Bus Mode - Aligned, CLKOUT Divide By 2

Timing Diagrams (continued)

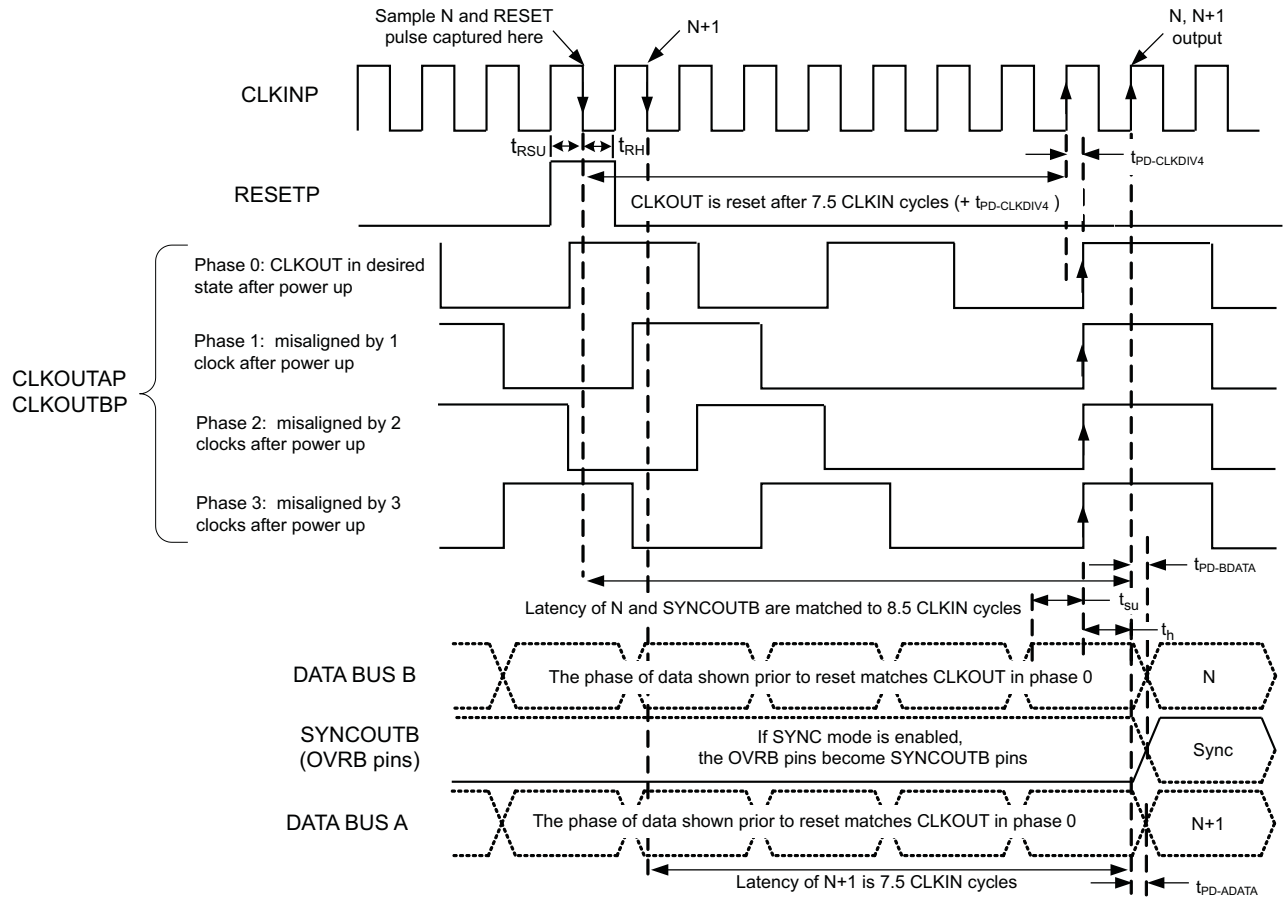


Propagation delays and setup/hold times not drawn to scale. RESET and SYNCOUT are optional. Any clock phase will work properly, but makes synchronization of data capture across multiple ADCs difficult without a known CLKOUT phase. RESET can be a single pulse (as shown), low-to-high step or repetitive pulse input signal. The frequency of repetitive RESET pulses should not exceed  $CLKIN/2$ , and should be an even divisor of CLKIN, in order to keep the CLKOUT phase the same with each RESET event. SYNCOUTB transitions with the same latency as the sample that is present when the RESET pulse is captured, shown here as sample N. Each RESET captured generates a SYNCOUT pulse, which behaves as a data bit.

Figure 3. Dual Bus Mode - Staggered, CLKOUT Divide By 2

[查询ADS5400 快返商](#)

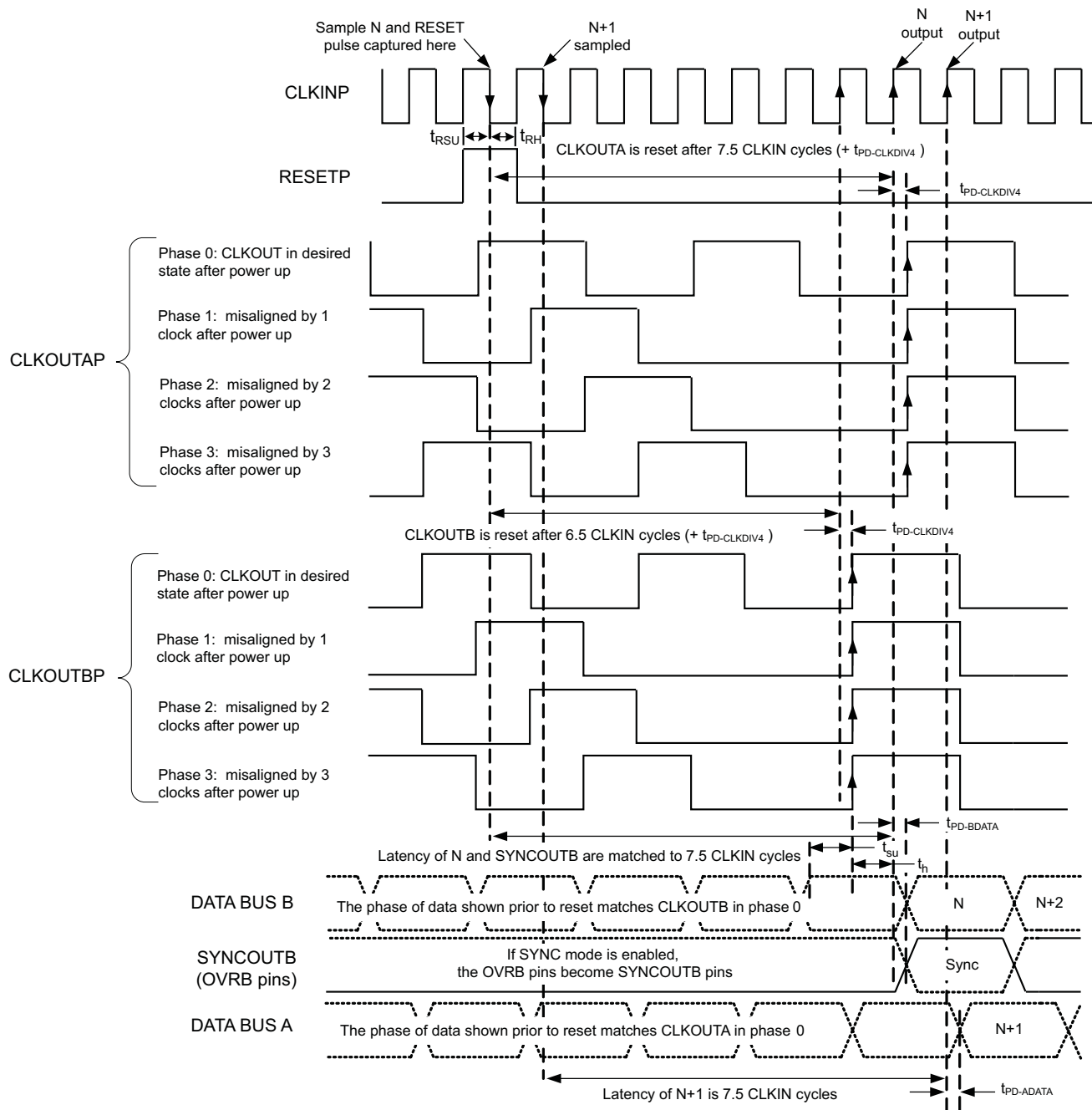
Timing Diagrams (continued)



Propagation delays and setup/hold times not drawn to scale. RESET and SYNCOUT are optional. Any clock phase will work properly, but makes synchronization of data capture across multiple ADCs difficult without a known CLKOUT phase. RESET can be a single pulse (as shown), low-to-high step or repetitive pulse input signal. The frequency of repetitive RESET pulses should not exceed  $CLKIN/4$ , and should be an even divisor of  $CLKIN$ , in order to keep the CLKOUT phase the same with each RESET event. SYNCOUTB transitions with the same latency as the sample that is present when the RESET pulse is captured, shown here as sample N. Each RESET captured generates a SYNCOUT pulse, which behaves as a data bit.

Figure 4. Dual Bus Mode - Aligned, CLKOUT Divide By 4

Timing Diagrams (continued)

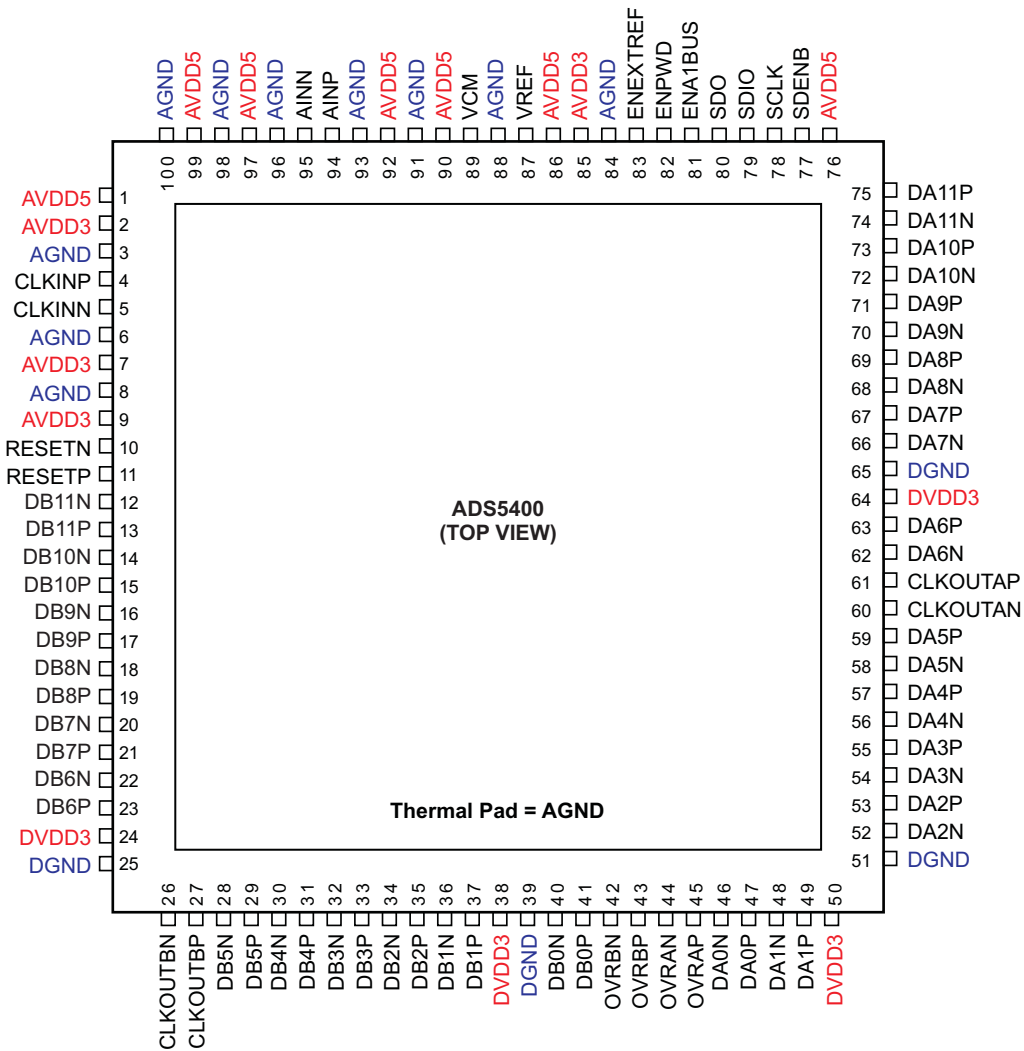


Propagation delays and setup/hold times not drawn to scale. RESET and SYNCOUT are optional. Any clock phase will work properly, but makes synchronization of data capture across multiple ADCs difficult without a known CLKOUT phase. RESET can be a single pulse (as shown), low-to-high step or repetitive pulse input signal. The frequency of repetitive RESET pulses should not exceed  $CLKIN/4$ , and should be an even divisor of CLKIN, in order to keep the CLKOUT phase the same with each RESET event. SYNCOUTB transitions with the same latency as the sample that is present when the RESET pulse is captured, shown here as sample N. Each RESET captured generates a SYNCOUT pulse, which behaves as a data bit.

Figure 5. Dual Bus Mode - Staggered, CLKOUT Divide By 4

[查询ADS5400 封装图](#)

### PIN CONFIGURATION



**Table 2. PIN FUNCTIONS**

PIN		DESCRIPTION
NAME	NO.	
AINP, AINN	94, 95	Analog differential input signal (positive, negative). Includes 100-Ω differential load on-chip.
AVDD5	1, 76, 86, 90, 92, 97, 99	Analog power supply (5 V)
AVDD3	2, 7, 9, 85	Analog power supply (3.3 V)
DVDD3	24, 38, 50, 64	Output driver power supply (3.3 V)
AGND	3, 6, 8, 84, 88, 91, 93, 96, 98, 100	Analog Ground
DGND	25, 39, 51, 65	Digital Ground
CLKINP, CLKINN	4, 5	Differential input clock (positive, negative). Includes 160-Ω differential load on-chip.
DA0N, DA0P	46, 47	Bus A, LVDS digital output pair, least-significant bit (LSB) (P = positive output, N = negative output)
DA1N–DA10N, DA1P–DA10P	48-49, 52-59, 62-63, 66-73	Bus A, LVDS digital output pairs (bits 1- 10)
DA11N, DA11P	74, 75	Bus A, LVDS digital output pair, most-significant bit (MSB)
CLKOUTAN, CLKOUTAP	60, 61	Bus A, Clock Output (Data ready), LVDS output pair
DB0N, DB0P	40, 41	Bus B, LVDS digital output pair, least-significant bit (LSB) (P = positive output, N = negative output)
DB1N–DB10N, DB1P–DB10P	14-23, 28-37	Bus B, LVDS digital output pairs (bits 1- 10)
DB11N, DB11P	12, 13	Bus B, LVDS digital output pair, most-significant bit (MSB)
CLKOUTBN, CLKOUTBP	26, 27	Bus B, Clock Output (Data ready), LVDS output pair
OVRAN, OVRAP	44, 45	Bus A, Overrange indicator LVDS output. A logic high signals an analog input in excess of the full-scale range. Becomes SYNCOUTA when SYNC mode is enabled in register 0x05.
OVRBN, OVRBP	42, 43	Bus B, Overrange indicator LVDS output. A logic high signals an analog input in excess of the full-scale range. Becomes SYNCOUTB when SYNC mode is enabled in register 0x05.
RESETN, RESETP	10, 11	Digital Reset Input, LVDS input pair. Inactive if logic low. When clocked in a high state, this is used for resetting the polarity of CLKOUT signal pair(s). If SYNC mode is enabled in register 0x05, this input also provides a SYNC time-stamp with the data sample present when RESET is clocked by the ADC, as well as CLKOUT polarity reset. Includes 100-Ω differential load on-chip.
SCLK	78	Serial interface clock.
SDIO	79	Bi-directional serial interface data in 3-pin mode (default) for programming/reading internal registers. In 4-pin interface mode (reg 0x01), the SDIO pin is an input only.
SDO	80	Uni-directional serial interface data in 4-pin mode (reg 0x01) provides internal register settings. The SDO pin is in high-impedance state in 3-pin interface mode (default).
SDENB	77	Active low serial data enable, always an input. Use to enable the serial interface. Internal 100kΩ pull-up resistor.
VREF	87	Reference voltage input (2V nominal). A 0.1μF capacitor to AGND is recommended, but not required.
ENA1BUS	81 <sup>(1)</sup>	Enable single output bus mode (2-bus mode is default), active high. This pin is logic OR'd with addr 0x02h bit<0>.
ENPWD	82 <sup>(1)</sup>	Enable Powerdown, active high. Places the converter into power-saving sleep mode when high. This pin is logic OR'd with addr 0x05h bit<6>.
ENEXTREF	83 <sup>(1)</sup>	Enable External Reference Mode, active high. Device uses an external voltage reference when high. This pin is logic OR'd with addr 0x05h bit<2>.
VCM	89	Analog input common mode voltage, Output (for DC-coupled applications, nominally 2.5V). A 0.1μF capacitor to AGND is recommended, but not required.

(1) This pin contains an internal ~40kΩ pull-down resistor, to ground.

[查询ADS5400 供应商](#)

## SERIAL INTERFACE

The serial port of the ADS5400 is a flexible serial interface which communicates with industry standard microprocessors and microcontrollers. The interface provides read/write access to all registers used to define the operating modes of ADS5400. It is compatible with most synchronous transfer formats and can be configured as a 3 or 4 pin interface in register **0x01h**. In both configurations, **SCLK** is the serial interface input clock and **SDENB** is serial interface enable. For 3 pin configuration, **SDIO** is a bidirectional pin for both data in and data out. For 4 pin configuration, **SDIO** is data in only and **SDO** is data out only.

Each read/write operation is framed by signal **SDENB** (Serial Data Enable Bar) asserted low for 2 to 5 bytes, depending on the data length to be transferred (1–4 bytes). The first frame byte is the instruction cycle which identifies the following data transfer cycle as read or write, how many bytes to transfer, and what address to transfer the data. [Table 3](#) indicates the function of each bit in the instruction cycle and is followed by a detailed description of each bit. Frame bytes 2 to 5 comprise the data transfer cycle.

**Table 3. Instruction Byte of the Serial Interface**

	MSB							LSB
Bit	7	6	5	4	3	2	1	0
Description	R/W	N1	N0	A4	A3	A2	A1	A0

**R/W** Identifies the following data transfer cycle as a read or write operation. A high indicates a read operation from ADS5400 and a low indicates a write operation to the ADS5400.

**[N1:N0]** Identifies the number of data bytes to be transferred per [Table 4](#) below. Data is transferred MSB first.

**Table 4. Number of Transferred Bytes Within One Communication Frame**

N1	N0	Description
0	0	Transfer 1 Byte
0	1	Transfer 2 Bytes
1	0	Transfer 3 Bytes
1	1	Transfer 4 Bytes

**[A4:A0]** Identifies the address of the register to be accessed during the read or write operation. For multi-byte transfers, this address is the starting address. Note that the address is written to the ADS5400 MSB first and counts down for each byte.

[Figure 6](#) shows the serial interface timing diagram for a ADS5400 write operation. **SCLK** is the serial interface clock input to ADS5400. Serial data enable **SDENB** is an active low input to ADS5400. **SDIO** is serial data in. Input data to ADS5400 is clocked on the rising edges of **SCLK**.



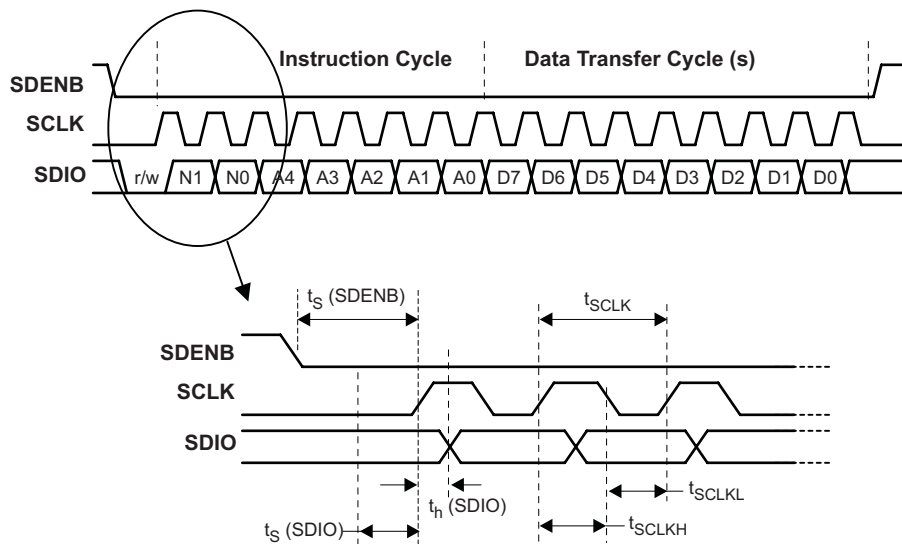


Figure 6. Serial Interface Write Timing Diagram

Figure 7 shows the serial interface timing diagram for a ADS5400 read operation. **SCLK** is the serial interface clock input to ADS5400. Serial data enable **SDENB** is an active low input to ADS5400. **SDIO** is serial data in during the instruction cycle. In 3 pin configuration, **SDIO** is data out from ADS5400 during the data transfer cycle(s), while **SDO** is in a high-impedance state. In 4 pin configuration, **SDO** is data out from ADS5400 during the data transfer cycle(s). At the end of the data transfer, SDO will output low on the final falling edge of SCLK until the rising edge of SDENB when it will 3-state.

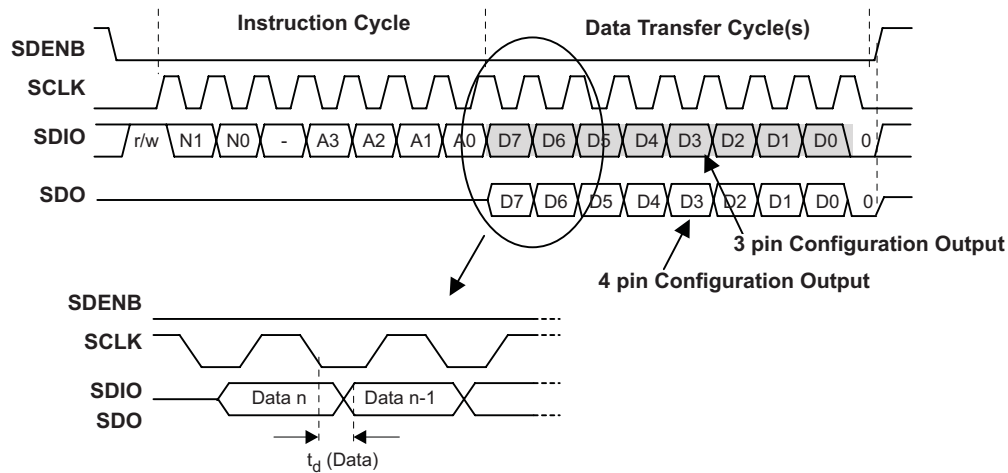


Figure 7. Serial Interface Read Timing Diagram

[查询ADS5400 快返商](#)

### Serial Register Map

Table 5 gives a summary of all the modes that can be programmed through the serial interface.

**Table 5. Summary of Functions Supported by Serial Interface**

REGISTER ADDRESS IN HEX	REGISTER FUNCTIONS							
	BIT 7	BIT 6	BIT 5	BIT 4	BIT 3	BIT 2	BIT 1	BIT 0
00	Analog Gain Adjustment bits<11:4>							
01	continued...Analog Gain Adjustment bits<3:0>				3 or 4-pin SPI	SPI Reset	0	0
02	Coarse Clock Phase Adjustment bits<4:0>					0	Clock Divider	Single or Dual Bus
03	Fine Clock Phase Adjustment bits<5:0>						0	Analog Offset bit<8>
04	continued...Analog Offset Control bits<7:0>							
05	Temp Sensor	Powerdown	1	Sync Mode	Data Format	Reference	Stagger Output	0
06	Data output mode		LVDS termination		LVDS current		Force LVDS outputs	
07	0000 0000							
08	Die temperature bits<7:0>							
09	000 0000							Memory error
0A	0000 0000							
0B-16	addresses not implemented, writes have no effect, reads return 0x00							
17	DIE ID<7:0>							
18	DIE ID<15:8>							
19	DIE ID<23:16>							
1A	DIE ID<31:24>							
1B	DIE ID<39:32>							
1C	DIE ID<47:40>							
1D	DIE ID<55:48>							
1E	DIE ID<63:56>							
1F	Die revision indicator<7:0>							

## Description of Serial Registers

Each register function is explained in detail below.

**Table 6. Serial Register 0x00 (Read or Write)**

Address (hex)	BIT 7	BIT 6	BIT 5	BIT 4	BIT 3	BIT 2	BIT 1	BIT 0
0x00	Analog Gain Adjustment bits<11:4>							
Defaults	0	0	0	0	0	0	0	0

### BIT <7:0>

#### Analog gain adjustment (most significant 8 bits of a 12 bit word)

All 12-bits in this adjustment in address 0x00 and 0x01 set to 0000  
0000 0000 = fullscale analog input 2.0V<sub>PP</sub>

All 12-bits in this adjustment in address 0x00 and 0x01 set to 1111  
1111 1111 = fullscale analog input 1.52V<sub>PP</sub>

Step adjustment resolution is 120μV.

Can be used for one-time setting or continual calibration of analog signal path gain.

**Table 7. Serial Register 0x01 (Read or Write)**

Address (hex)	BIT 7	BIT 6	BIT 5	BIT 4	BIT 3	BIT 2	BIT 1	BIT 0
0x01	Analog Gain Adjustment bits<3:0>				3 or 4-pin SPI	SPI Reset	0	0
Defaults	0	0	0	0	0	0	0	0

### BIT <0:1>

#### RESERVED

0 set to 0 if writing this register

1 do not set to 1

### BIT <2>

#### SPI Register Reset

0 altered register settings are kept

1 resets all SPI registers to defaults (self clearing)

### BIT <3>

#### Set SPI mode to 3- or 4-pin

0 3-pin SPI (read/write on SDIO, SDO not used)

1 4-pin SPI (SDIO is write, SDO is read)

### BIT <7:4>

#### Analog gain adjustment continued (least significant 4 bits of a 12-bit word)

All 12-bits in this adjustment in address 0x00 and 0x01 set to 0000  
0000 0000 = fullscale analog input 2V<sub>PP</sub>

All 12-bits in this adjustment in address 0x00 and 0x01 set to 1111  
1111 1111 = fullscale analog input 1.52V<sub>PP</sub>

Step adjustment resolution is 120μV.

Can be used for one-time setting or continual calibration of analog signal path gain.

[查询ADS5400 快速指南](#)

**Table 8. Serial Register 0x02 (Read or Write)**

Address (hex)	BIT 7	BIT 6	BIT 5	BIT 4	BIT 3	BIT 2	BIT 1	BIT 0
0x02	Coarse Clock Phase Adjustment bits<4:0>					0	Clock Divider	Single or Dual Bus
Defaults	0	0	0	0	0	0	0	0

**BIT <0>**

**Single or Dual Bus Output Selection**

- 0 dual bus output (A and B)
- 1 single bus output (A)

**BIT <1>**

**Output Clock Divider**

- 0 CLKOUT equals CLKIN divide by 4 (not available in single bus mode)
- 1 CLKOUT equals CLKIN divide by 2

**BIT <2>**

**RESERVED**

- 0 set to 0 if writing this register
- 1 do not set to 1

**BIT <7:3>**

**Input Clock Coarse Phase Adjustment**

Use as a coarse adjustment of input clock phase. The 5-bit adjustment provides a step size of ~2.4ps across a range from code 00000 = 0 ps to code 11111 = 73ps.

**Table 9. Serial Register 0x03 (Read or Write)**

Address (hex)	BIT 7	BIT 6	BIT 5	BIT 4	BIT 3	BIT 2	BIT 1	BIT 0
0x03	Fine Clock Phase Adjustment bits<5:0>						0	Analog Offset bit<8>
Defaults	0	0	0	0	0	0	0	factory set

**BIT <0>**

**Analog Offset control (most significant bit of 9-bit word)**

All 9-bits in this adjustment in address 0x03 and 0x04 set to 0 0000 0000 = -30mV (TBD)

All 9-bits in this adjustment in address 0x03 and 0x04 set to 1 1111 1111 = +30mV (TBD)

Step adjustment resolution is 120µV (or 1/4 LSB). Adjustments can be used for calibration of analog signal path offset (for instance offset error induced outside of the ADC) or to match multiple ADC offsets.

The default setting for this register is factory set to provide ~0mV of ADC offset in the output codes and is unique for each device.

**BIT <1>**

**RESERVED**

- 0 set to 0 if writing this register
- 1 do not set to 1

**BIT <7:2>**

**Fine Clock Phase Adjustment**

Use as a fine adjustment of the input clock phase. The 6-bit adjustment provides a step resolution of ~116fs across a range from code 000000 = 0ps to code 111111 = 7.4ps. Can be used in conjunction with Coarse Clock Phase Adjustment in address 0x02.

**Table 10. Serial Register 0x04 (Read or Write)**

Address (hex)	BIT 7	BIT 6	BIT 5	BIT 4	BIT 3	BIT 2	BIT 1	BIT 0
0x04	Analog Offset Control bits<7:0>							
Defaults	factory set							

**BIT <7:0>**
**Analog Offset control continued (least significant bits of 9-bit word)**

All 9-bits in this adjustment in address 0x03 and 0x04 set to 0 0000  
0000 = -30mV (TBD)

All 9-bits in this adjustment in address 0x03 and 0x04 set to 1 1111  
1111 = +30mV (TBD)

Step adjustment resolution is 120uV (or 1/4 LSB). Adjustments can be used for calibration of analog signal path offset (for instance offset error induced outside of the ADC) or to match multiple ADC offsets.

The default setting for this register is factory set to provide ~0mV of ADC offset in the output codes and is unique for each device.

Performance of the ADC is not specified across the entire offset control range. Some performance degradation is expected as larger offsets are programmed.

**Table 11. Serial Register 0x05 (Read or Write)**

Address (hex)	BIT 7	BIT 6	BIT 5	BIT 4	BIT 3	BIT 2	BIT 1	BIT 0
0x05	Temp Sensor	Powerdown	reserved	Sync Mode	Data Format	Reference	Stagger Output	0
Defaults	0	0	1	0	0	0	0	0

**BIT <0>**
**RESERVED**

0 set to 0 if writing this register

1 do not set to 1

**BIT <1>**
**Stagger Output Bus**

0 Output bus A and B aligned

1 Output bus A and B staggered (see timing diagrams)

**BIT <2>**
**Enable External Reference**

0 Enable internal reference

1 Enable external reference

**BIT <3>**
**Set Data Output Format**

0 Enable offset binary

1 Enable two's complement

**BIT <4>**
**Set Sync Mode**

0 Disable data synchronization mode

1 Enable data synchronization mode

When enabled, the OVR pin(s) are replaced with SYNC output signal(s). The SYNC output signal is time-aligned with the output data matching the corresponding input sample and RESET input pulse

**BIT <5>**
**RESERVED**

[查询ADS5400 快速指南](#)

- 0
- 1 set to 1 if writing this register

---

- BIT <6>** **Powerdown**

---

- 0 device active
- 1 device in low power mode (sleep mode)

---

- BIT <7>** **Temperature Sensor**

---

- 0 temperature sensor inactive
- 1 temperature sensor active, independent of powerdown bit in Bit<6>, allows reading of temp sensor while the rest of the ADC is in sleep mode

**Table 12. Serial Register 0x06 (Read or Write)**

Address (hex)	BIT 7	BIT 6	BIT 5	BIT 4	BIT 3	BIT 2	BIT 1	BIT 0
0x06	Data output mode		LVDS termination		LVDS current		Force LVDS outputs	
Defaults	0	0	0	0	0	1	0	0

- BIT <0:1>** **Force LVDS outputs**

---

- 00 and 01 normal operating mode (LVDS is outputting sampled data bits)
- 10 forces the LVDS outputs to all logic zeros (data and clock out) - for level check
- 11 forces the LVDS outputs to all logic ones (data and clock out) - for level check

---

- BIT <3:2>** **Set LVDS output current**

---

- 00 2.5mA
- 01 3.5mA (default)
- 10 4.5mA
- 11 5.5mA

---

- BIT <5:4>** **Set Internal LVDS termination differential resistor (for LVDS outputs only)**

---

- 00 and 01 no internal termination
- 10 internal 200Ω resistor selected
- 11 internal 100Ω resistor selected

---

- BIT <7:6>** **Control Data Output Mode**

---

- 00 normal mode (LVDS is outputting sampled data bits)
- 01 scrambled output mode (D11:D1 is XOR'd with D0)
- 10 output data is replaced with PRBS test pattern (7-bit sequence)
- 11 output data is replaced with toggling test pattern (all 1s, then all 0s, then all 1s, etc.....on all bits)

**Table 13. Serial Register 0x08 (Read only)**

Address (hex)	BIT 7	BIT 6	BIT 5	BIT 4	BIT 3	BIT 2	BIT 1	BIT 0
0x08	Die temperature bits<7:0>							
Defaults	depends on reading from temperature sensor							

**BIT <7:0>**
**Die temperature readout**

if enabled in register 0x05. To obtain the die temperature in Celsius, convert the 8-bit word to decimal and subtract 78.

<7:0> = 0x00 = 00000000, measured temperature is 0-78 = -78°C

<7:0> = 0x73 = 01110011, measured temperature is 115 - 78 = 37°C

<7:0> = 0xAF, measured temperature is 175 - 78 = 97°C

**Table 14. Serial Register 0x09 (Read only)**

Address (hex)	BIT 7	BIT 6	BIT 5	BIT 4	BIT 3	BIT 2	BIT 1	BIT 0
0x09	000 0000							Memory error
Defaults	000 0000							0

**BIT <7:1>**
**RESERVED**

set to 0 if writing this register

do not set to 1

**BIT <0>**
**Memory Error Indicator**

Registers 0x00 through 0x07 have multiple redundancy. If any copy disagrees with the others, an error is flagged in this bit. This is for systems that require the highest level of assurance that the device remains programmed in the proper state and indication of an error if something changes unexpectedly.

**Table 15. Serial Register 0x0A (Read only)**

Address (hex)	BIT 7	BIT 6	BIT 5	BIT 4	BIT 3	BIT 2	BIT 1	BIT 0
0x0A	0000 0000							
Defaults	0000 0000							

**BIT <7:0>**
**RESERVED**

set to 0 if writing this register

do not set to 1

[查询ADS5400 供应商](#)

**Table 16. Serial Register 0x17 through 0x1E (Read only)**

Address (hex)	BIT 7	BIT 6	BIT 5	BIT 4	BIT 3	BIT 2	BIT 1	BIT 0
0x17 - 0x1E	Die ID							
Defaults	factory set							

**BIT <7:0>**

**Die Identification Bits**

Each of these eight registers contains 8-bits of a 64-bit unique die identifier.

**Table 17. Serial Register 0x1F (Read only)**

Address (hex)	BIT 7	BIT 6	BIT 5	BIT 4	BIT 3	BIT 2	BIT 1	BIT 0
0x1F	Die Revision Number							
Defaults	factory set							

**BIT <7:0>**

**Die revision**

Provides design revision information.



### TYPICAL CHARACTERISTICS

Typical plots at  $T_A = 25^\circ\text{C}$ , sampling rate = 1 GSPS, 50% clock duty cycle, AVDD5 = 5 V, AVDD3 = 3.3 V, DVDD3 = 3.3 V, and 1.5- $V_{PP}$  differential clock, (unless otherwise noted)

**SPECTRAL PERFORMANCE  
FFT FOR 250-MHz INPUT SIGNAL**

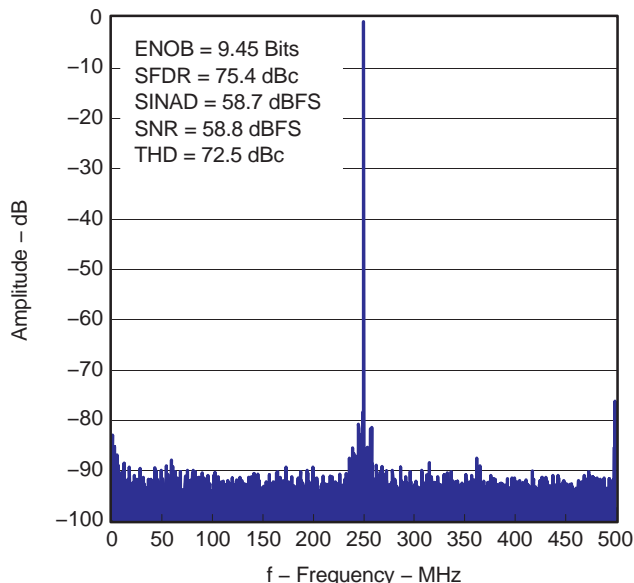


Figure 8.

**SPECTRAL PERFORMANCE  
FFT FOR 0.9-GHz INPUT SIGNAL**

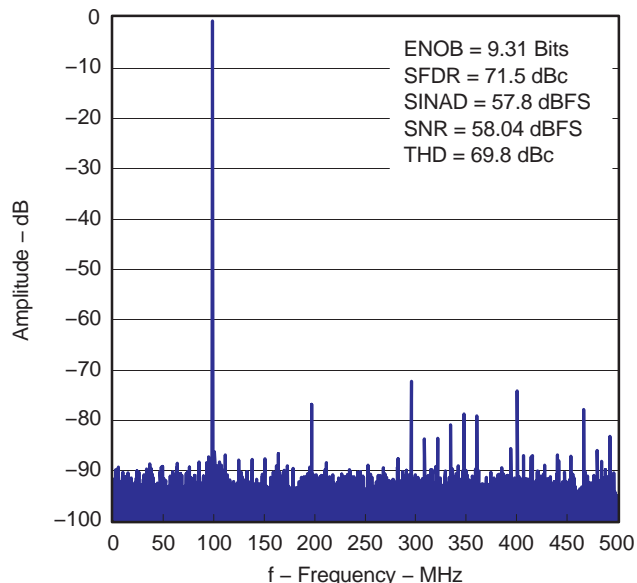


Figure 9.

**SPECTRAL PERFORMANCE  
FFT FOR 1.3-GHz INPUT SIGNAL**

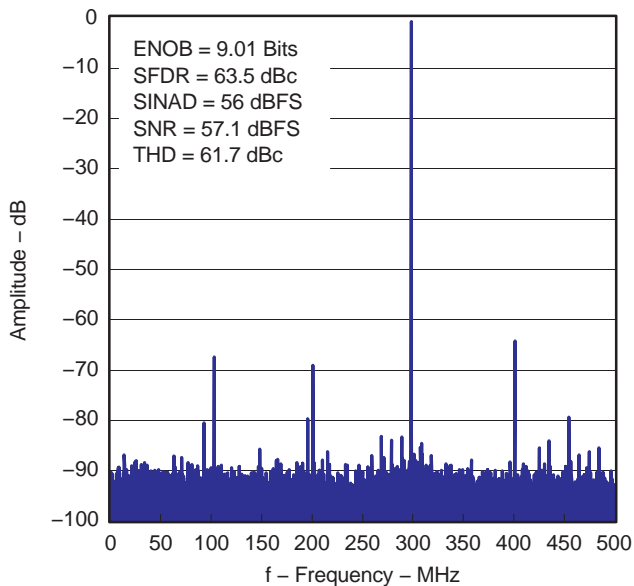


Figure 10.

**SPECTRAL PERFORMANCE  
FFT FOR 1.7-GHz INPUT SIGNAL**

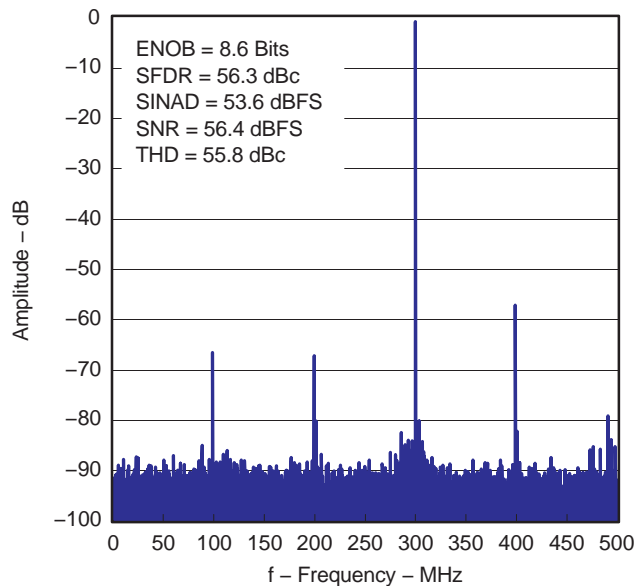


Figure 11.

查询 ADS5400 数据手册

TYPICAL CHARACTERISTICS (continued)

Typical plots at  $T_A = 25^\circ\text{C}$ , sampling rate = 1 GSPS, 50% clock duty cycle, AVDD5 = 5 V, AVDD3 = 3.3 V, DVDD3 = 3.3 V, and 1.5- $V_{PP}$  differential clock, (unless otherwise noted)

DIFFERENTIAL NONLINEARITY

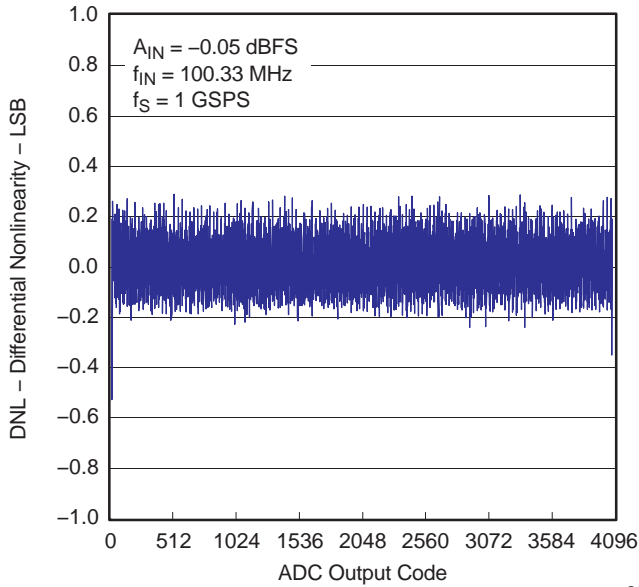


Figure 12.

G005

INTEGRAL NONLINEARITY

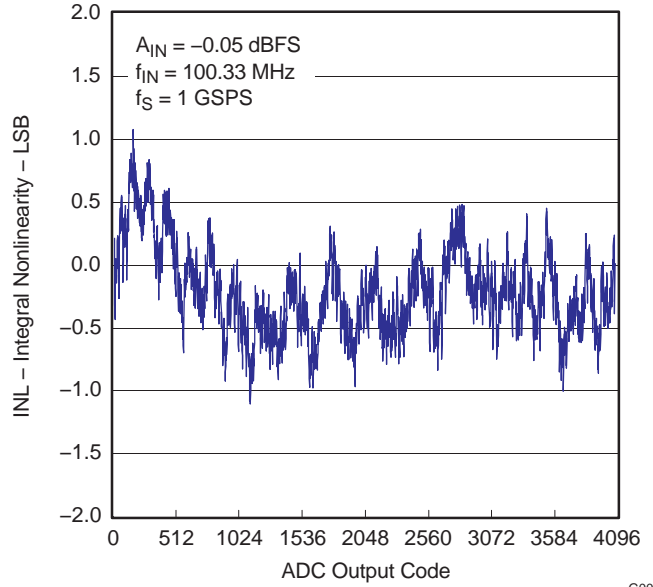


Figure 13.

G006

AC PERFORMANCE vs INPUT AMPLITUDE (801.13-MHz INPUT SIGNAL)

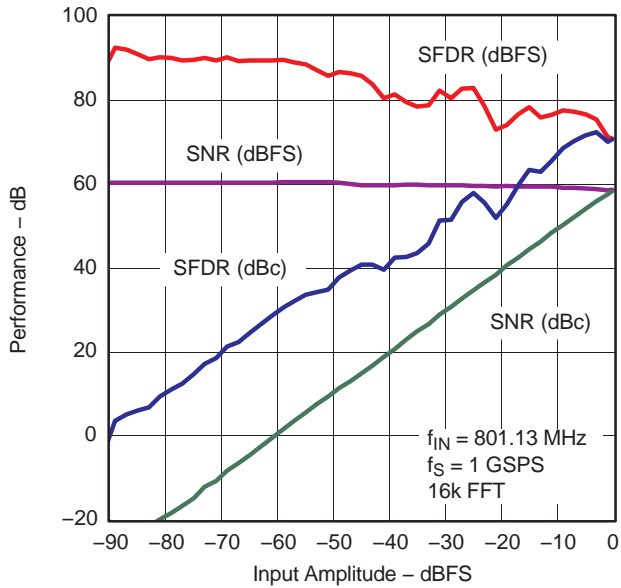


Figure 14.

G007

AC PERFORMANCE vs INPUT AMPLITUDE (247.5-MHz AND 252.5-MHz TWO-TONE INPUT SIGNAL)

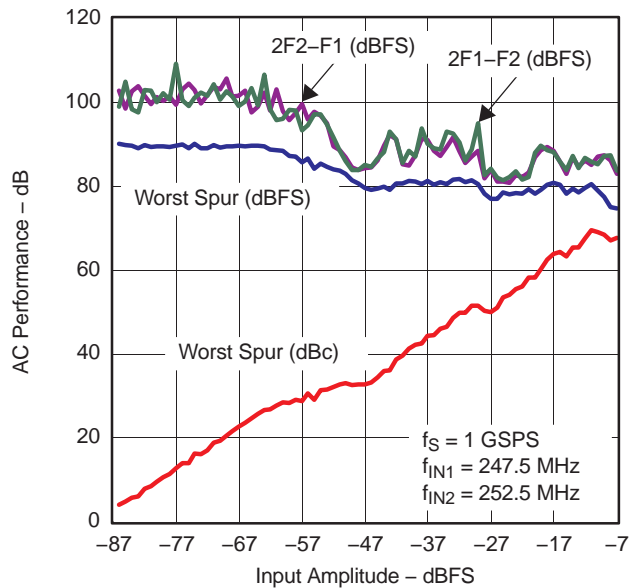


Figure 15.

G019

TYPICAL CHARACTERISTICS (continued)

Typical plots at  $T_A = 25^\circ\text{C}$ , sampling rate = 1 GSPS, 50% clock duty cycle, AVDD5 = 5 V, AVDD3 = 3.3 V, DVDD3 = 3.3 V, and 1.5-V<sub>PP</sub> differential clock, (unless otherwise noted)

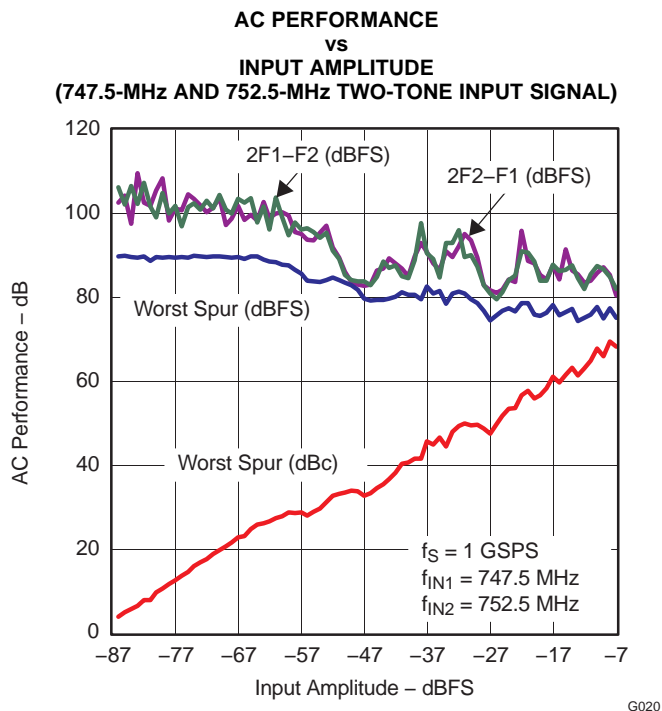


Figure 16.

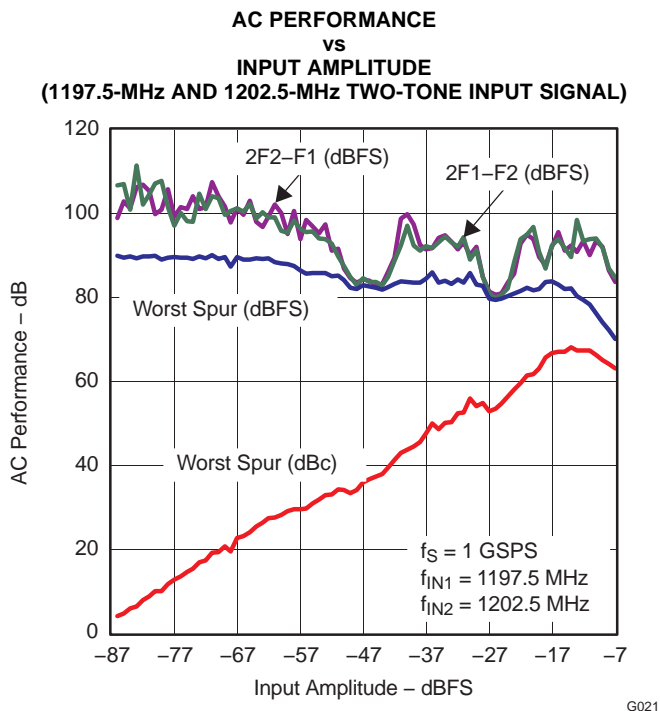


Figure 17.

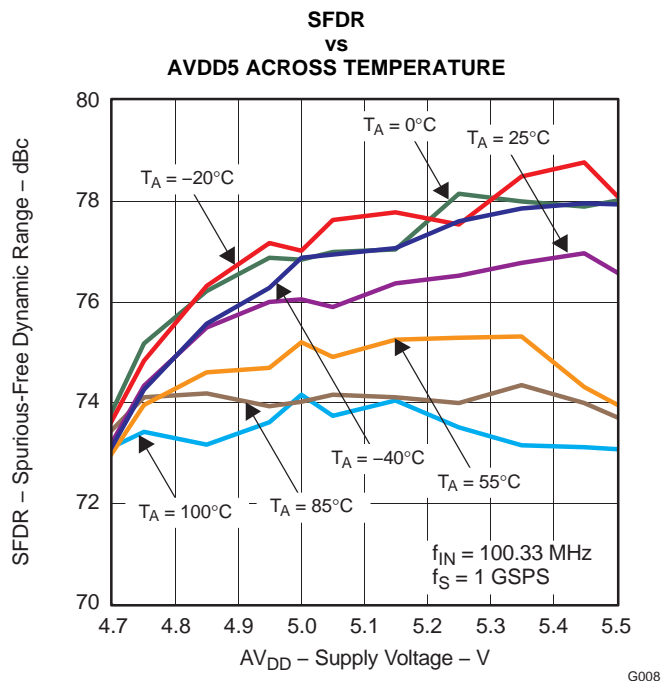


Figure 18.

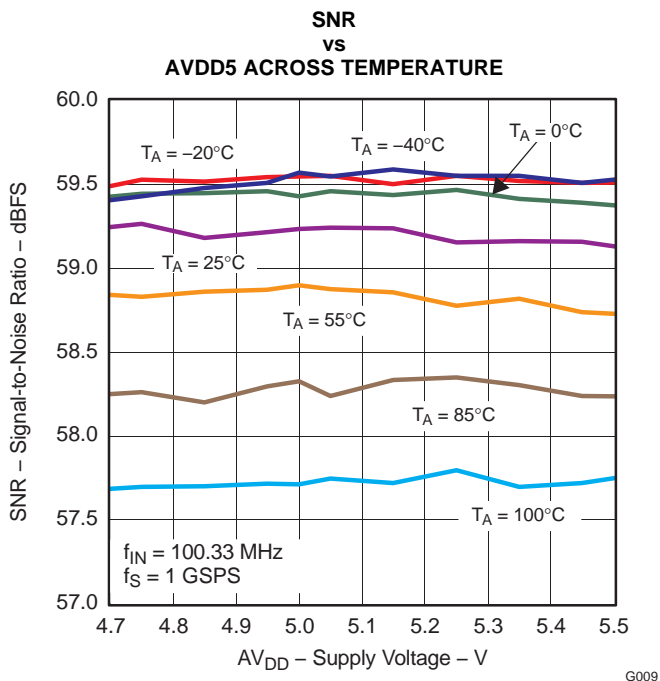


Figure 19.

**TYPICAL CHARACTERISTICS (continued)**

Typical plots at  $T_A = 25^\circ\text{C}$ , sampling rate = 1 GSPS, 50% clock duty cycle, AVDD5 = 5 V, AVDD3 = 3.3 V, DVDD3 = 3.3 V, and 1.5-V<sub>PP</sub> differential clock, (unless otherwise noted)

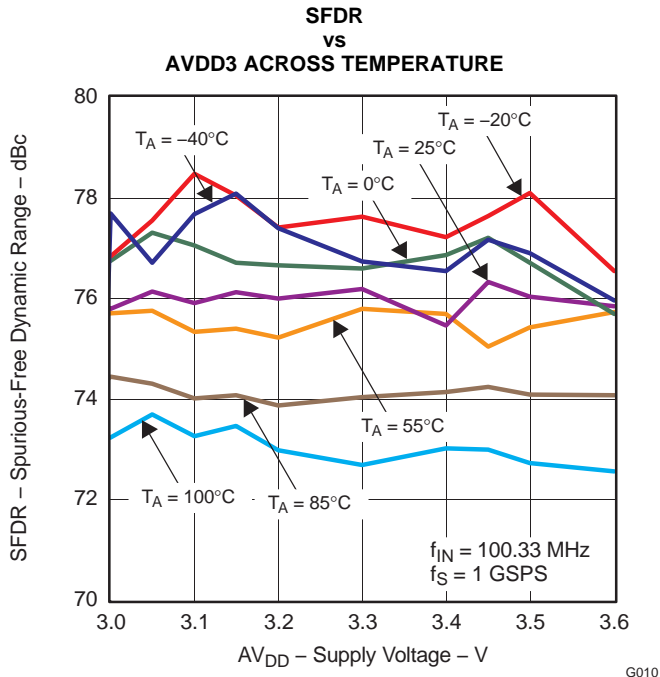


Figure 20.

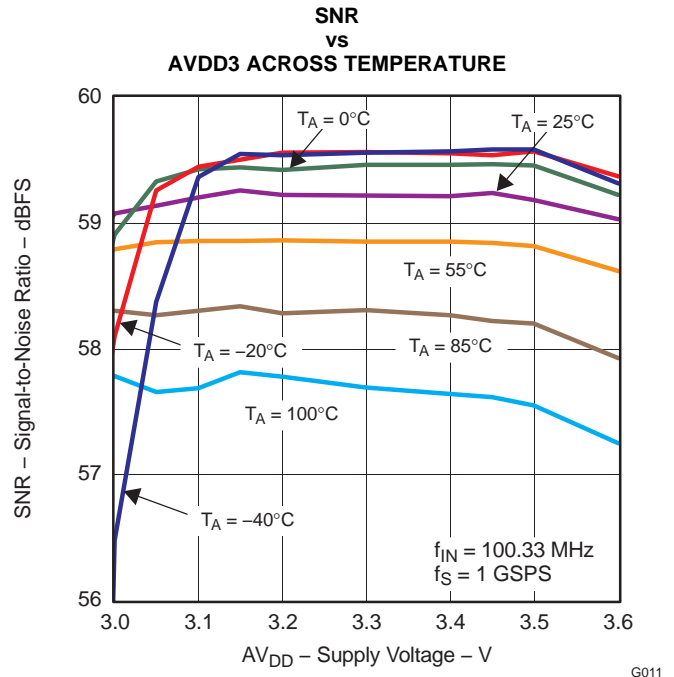


Figure 21.

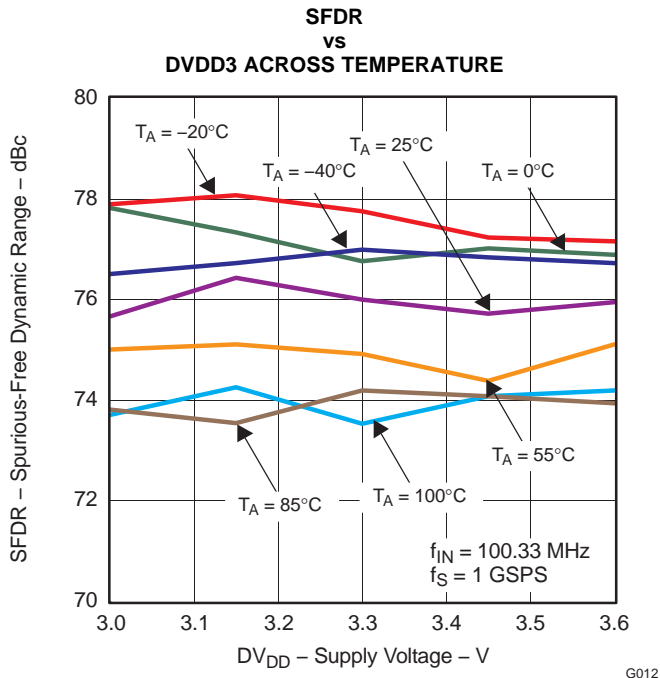


Figure 22.

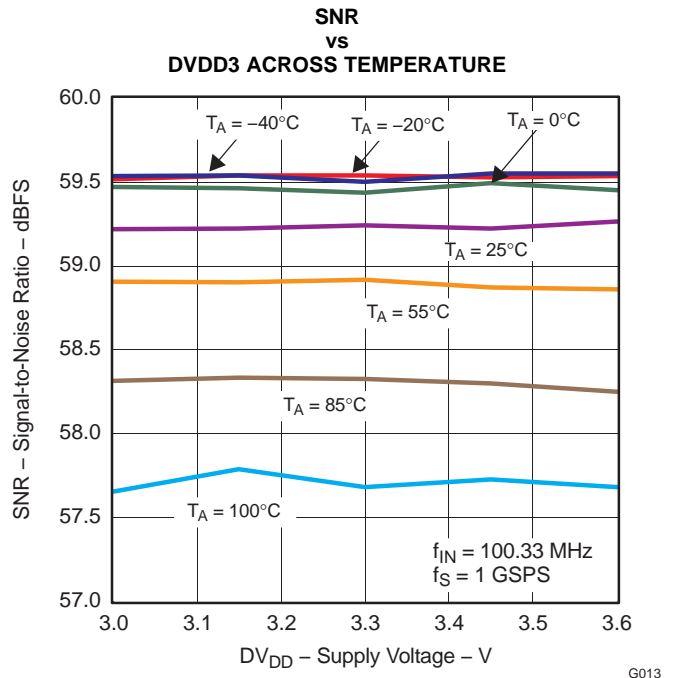
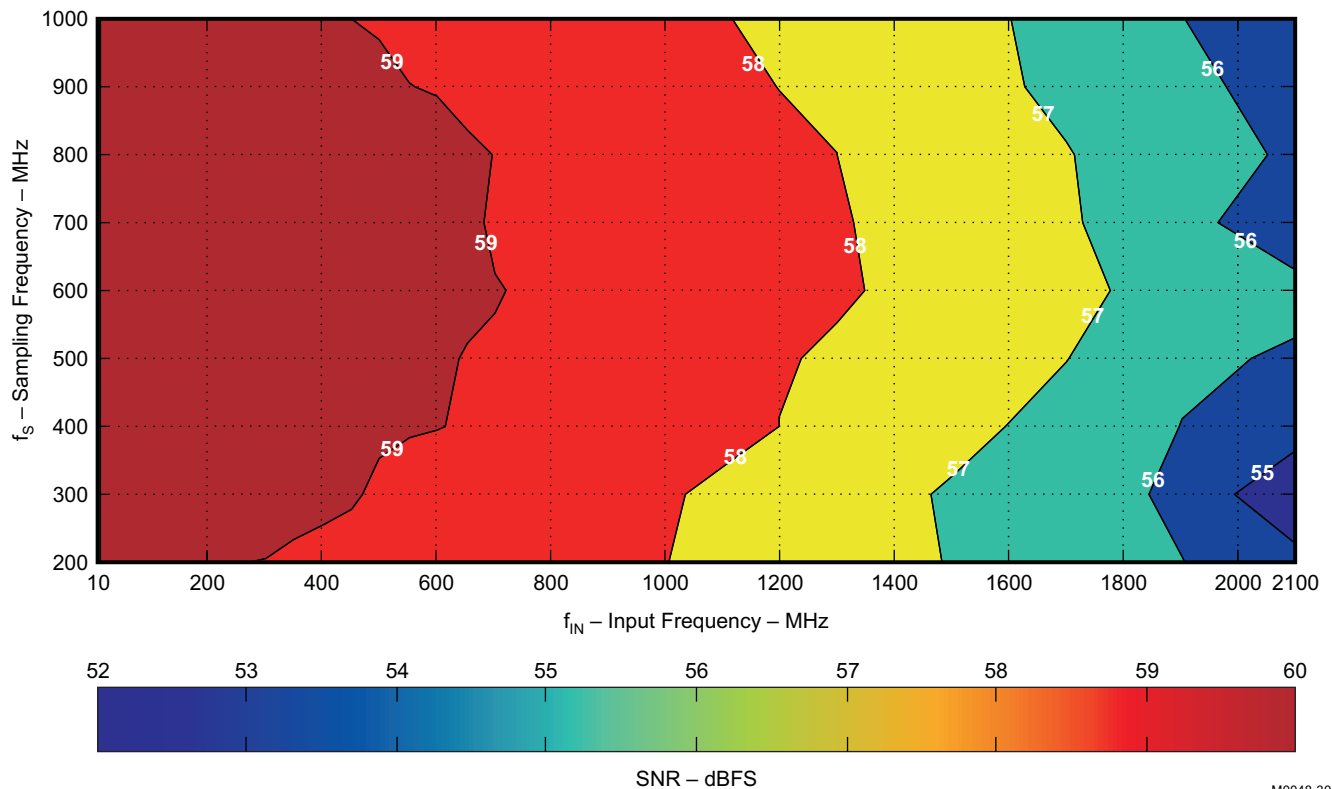


Figure 23.

**TYPICAL CHARACTERISTICS (continued)**

Typical plots at  $T_A = 25^\circ\text{C}$ , sampling rate = 1 GSPS, 50% clock duty cycle, AVDD5 = 5 V, AVDD3 = 3.3 V, DVDD3 = 3.3 V, and 1.5- $V_{PP}$  differential clock, (unless otherwise noted)

**SNR vs INPUT FREQUENCY AND SAMPLING FREQUENCY**



**Figure 24.**

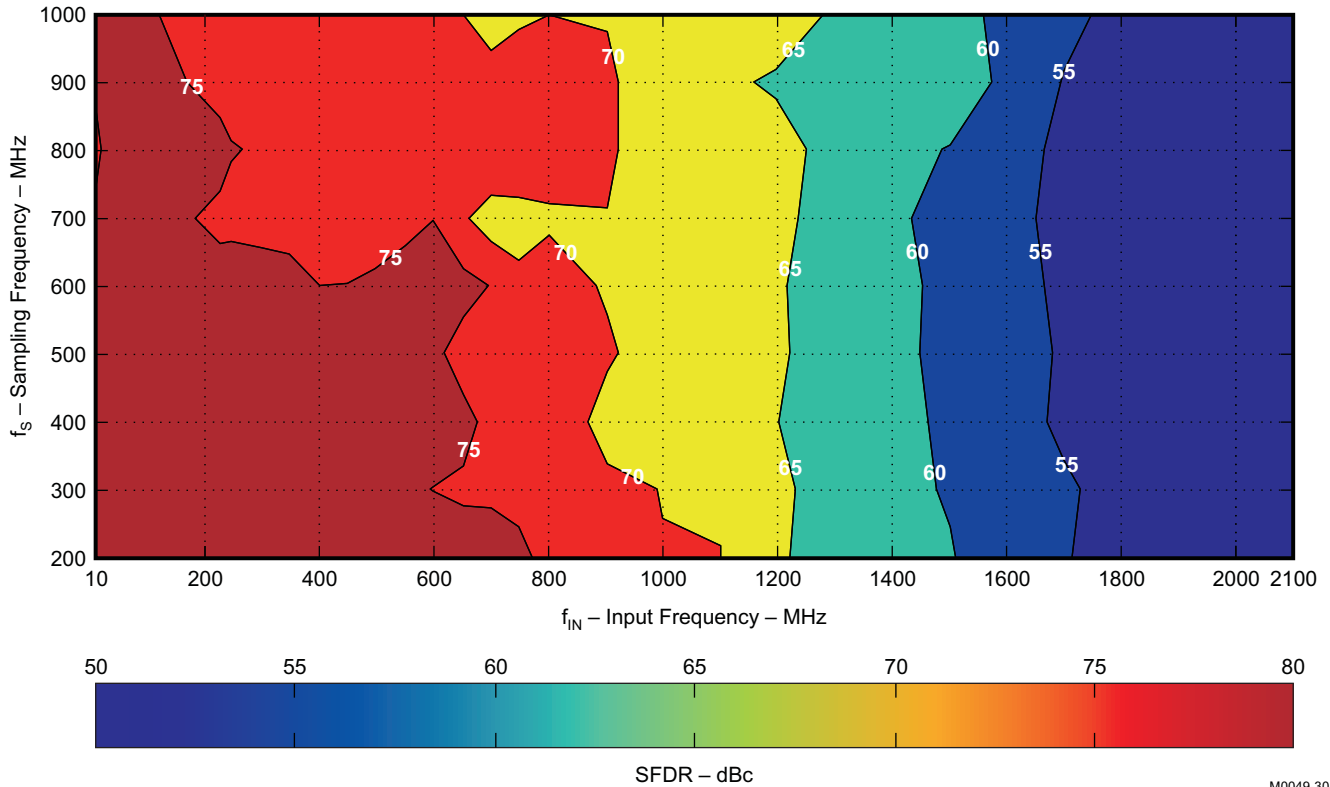
M0048-30

[查询ADS5400 快速指南](#)

**TYPICAL CHARACTERISTICS (continued)**

Typical plots at  $T_A = 25^\circ\text{C}$ , sampling rate = 1 GSPS, 50% clock duty cycle, AVDD5 = 5 V, AVDD3 = 3.3 V, DVDD3 = 3.3 V, and 1.5-V<sub>PP</sub> differential clock, (unless otherwise noted)

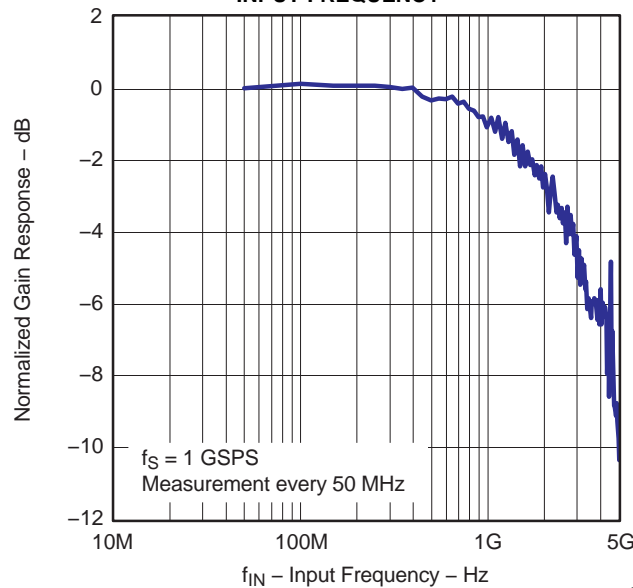
**SFDR vs INPUT FREQUENCY AND SAMPLING FREQUENCY**



M0049-30

**Figure 25.**

**NORMALIZED GAIN RESPONSE  
vs  
INPUT FREQUENCY**



G018

**Figure 26.**

## APPLICATION INFORMATION

### Theory of Operation

The ADS5400 is a 12-bit, 1-GSPS, monolithic pipeline ADC. Its bipolar transistor analog core operates from 5-V and 3.3-V supplies, while the output uses a 3.3-V supply to provide LVDS-compatible digital outputs. The conversion process is initiated by the falling edge of the external input clock. At the sampling instant, the differential input signal is captured by the input track-and-hold (T&H), and the input sample is sequentially converted by a series of lower resolution stages, with the outputs combined in a digital correction logic block. Both the rising and the falling clock edges are used to propagate the sample through the pipeline every half clock cycle. This process results in a data latency of 7 - 8.5 clock cycles (output mode dependent), after which the output data is available as a 12-bit parallel word, coded in offset binary or two's complement format.

The user can select to accept the data at the full sample rate using one bus (bus A, latency 7 cycles), or demultiplex the data into two buses (bus A and B, latency 7.5 or 8.5 cycles) at half rate. A serial peripheral interface (SPI) is provided for adjusting operational modes, as well as for calibrations of analog gain, analog offset and clock phase for inter-leaving multiple ADS5400. Die temperature readout using the SPI is provided. SYNC and RESET modes exist for synchronizing output data across multiple ADS5400.

### Input Configuration

The analog input for the ADS5400 consists of an analog pseudo-differential buffer followed by a bipolar transistor track-and-hold (see Figure 27). The integrated analog buffer isolates the source driving the input of the ADC from sampling glitches on the T&H and allows for the integration of a 100-Ω differential input resistor. The input common mode is set internally through a 500-Ω resistor connected from half of the AVDD5 supply voltage to each of the inputs. The parasitic package capacitance shown is with the package unsoldered. Once soldered, depending on the board characteristics, one can expect another ~1pF at the analog input pins, which is board dependent.

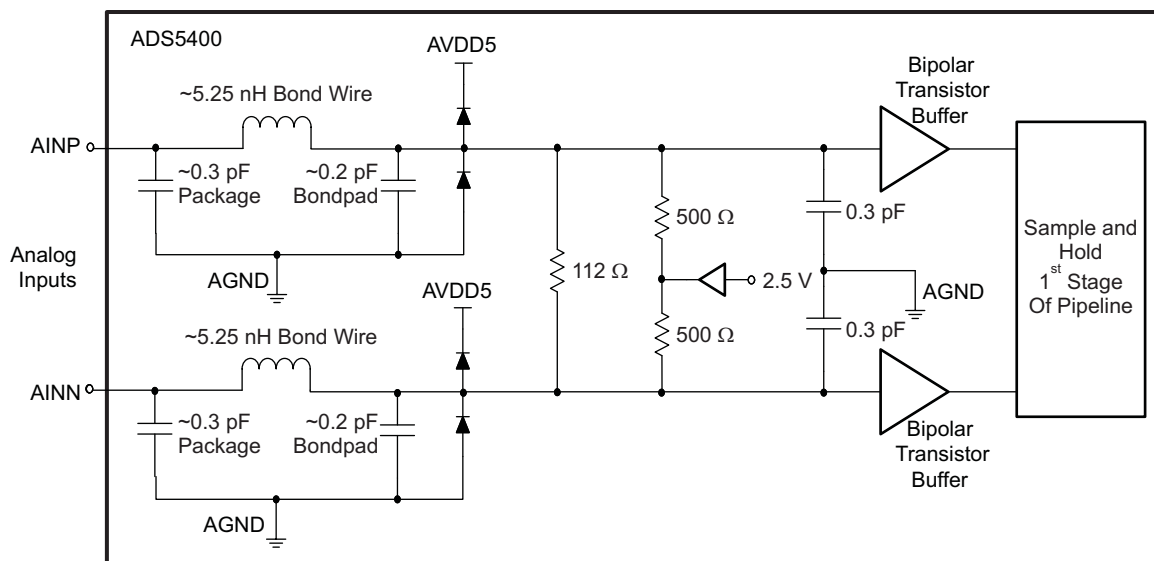


Figure 27. Analog Input Equivalent Circuit

For a full-scale differential input, each of the differential lines of the input signal swing symmetrically between  $2.5\text{ V} + 0.5\text{ V}$  and  $2.5\text{ V} - 0.5\text{ V}$ . This means that each input has a maximum signal swing of  $1\text{ V}_{PP}$  for a total differential input signal swing of  $2\text{ V}_{PP}$ . The maximum fullscale range can be programmed from  $1.5\text{-}2\text{V}_{PP}$  using the SPI. The maximum swing is determined by the internal reference voltage generator and the fullscale range set using the SPI, eliminating the need for any external circuitry for this purpose. The analog gain adjustment has a resolution of 12-bits across the  $1.5\text{-}2\text{V}_{PP}$  range, providing for fine calibration of analog gain mismatches across multiple ADS5400 signal chains, primarily for interleaving.

The ADS5400 obtains optimum performance when the analog inputs are driven differentially. The circuit in Figure 28 shows one possible configuration using an RF transformer. Datasheet performance, especially at >1GHz input frequency, can only be obtained with a carefully designed differential drive path to the ADC.

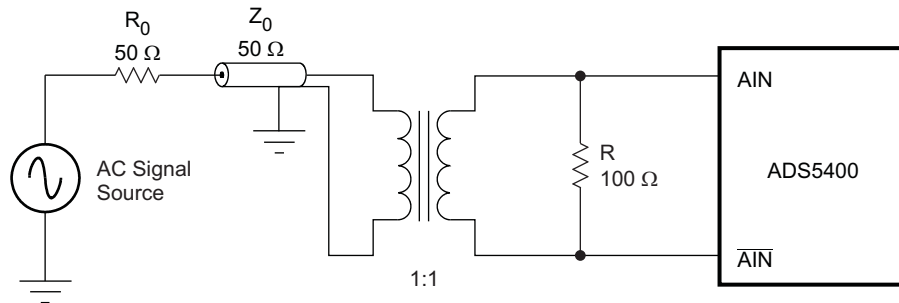


Figure 28. Converting a Single-Ended Input to a Differential Signal Using an RF Transformer

**Voltage Reference**

The 2V voltage reference is provided internal to the ADS5400. A VCM (voltage common mode) pin is provided as an output for use in dc-coupled applications, equal to the AVDD5 supply divided by 2. This provides the analog input common mode voltage to a driving circuit so that the common mode is setup properly. Some systems may prefer the use of an external voltage reference. This mode can be enabled by pulling the ENEXTREF pin high. In this mode, an external reference can be driven onto the VREF pin, which is normally expecting 2V.

**Analog Input Over-Range Recovery Error**

An over-range condition occurs if the analog input voltage exceeds the full-scale range of the converter (0dBFS). To test recovery from an over-range, the ADC analog input is injected with a sinusoidal input frequency exactly at CLKIN/4 (a four-point sinusoid at the digital outputs). The four sample points of each period occur at the top, mid-scale, bottom and mid-scale of the sinusoid (clipped by the ADC when over-ranged to all 0s or all 1s). Once the amplitude exceeds 0dBFS, the top and bottom of the sinusoidal input becomes out of range, while the mid-scale point is always in-range and measurable with ADC output codes. The graph in Figure 29 indicates the amount of error from the expected mid-scale value of 2048 that occurs after negative over-range (bottom of sinusoid) and positive over-range (top of sinusoid). This equates to the amount of error in a valid sample 1 clock cycle after an over-range occurs, as a function of input amplitude.

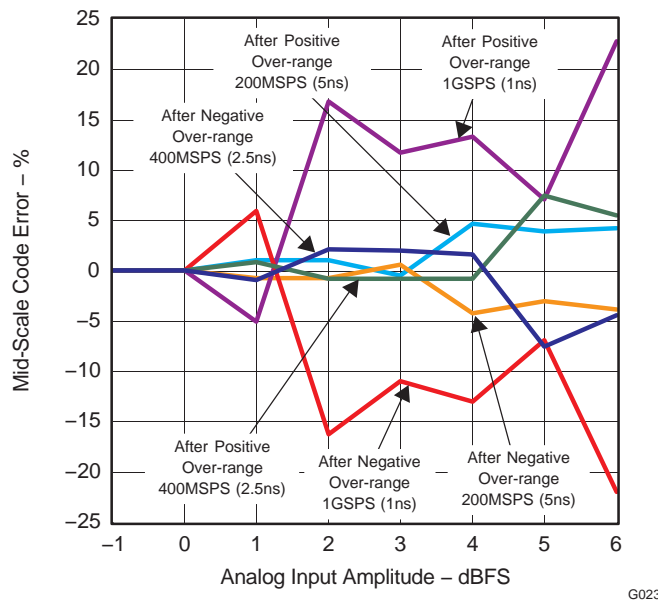


Figure 29. Recovery Error 1 Clock Cycle After Over-Range vs Input Amplitude



### Clock Inputs

The ADS5400 clock input can be driven with either a differential clock signal or a single-ended clock input. The equivalent clock input circuit can be seen in Figure 30. In low-input-frequency applications, where jitter may not be a big concern, the use of a single-ended clock (as shown in Figure 31) could save cost and board space without much performance tradeoff. When clocked with this configuration, it is best to connect CLK to ground with a 0.01- $\mu$ F capacitor, while CLK is ac-coupled with a 0.01- $\mu$ F capacitor to the clock source, as shown in Figure 31.

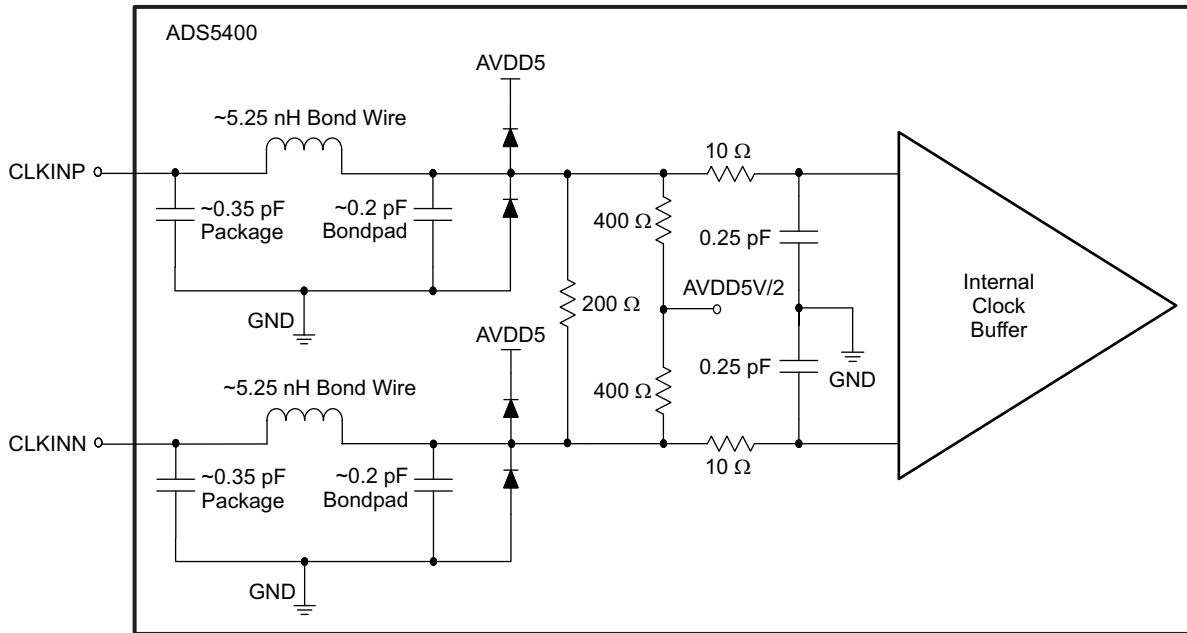


Figure 30. Clock Input Circuit

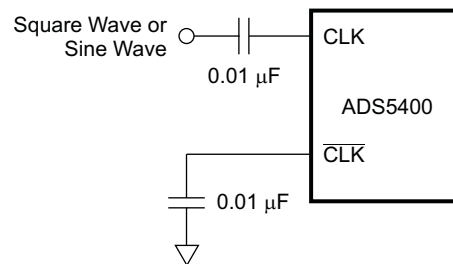


Figure 31. Single-Ended Clock

查询ADS5400 快返网

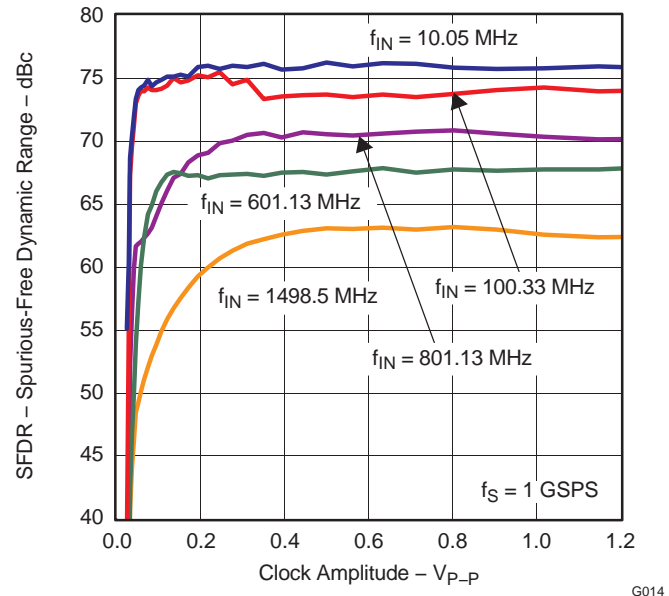


Figure 32. ADS5400 SFDR vs Differential Clock Level

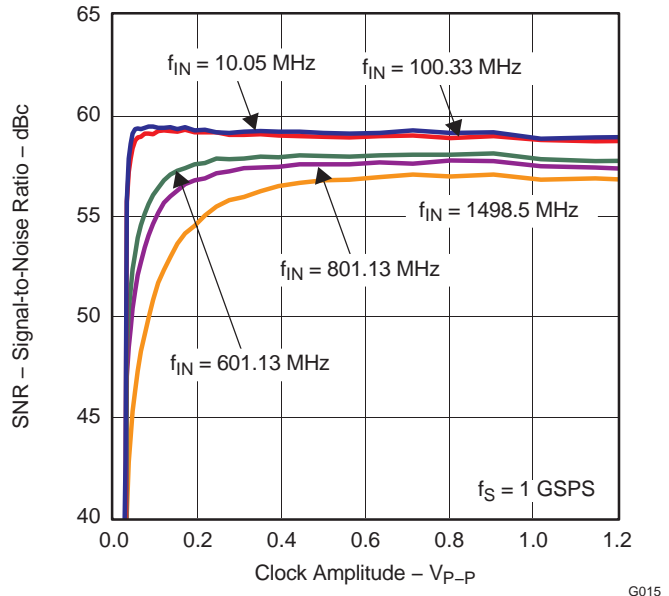


Figure 33. ADS5400 SNR vs Differential Clock Level

The characterization of the ADS5400 is typically performed with a 1.5 V<sub>PP</sub> differential clock, but the ADC performs well with a differential clock amplitude down to ~400mV<sub>PP</sub> (200mV swing on both CLK and  $\overline{\text{CLK}}$ ), as shown in Figure 32 and Figure 33. For jitter-sensitive applications, the use of a differential clock has some advantages at the system level and is strongly recommended. The differential clock allows for common-mode noise rejection at the printed circuit board (PCB) level. With a differential clock, the signal-to-noise ratio of the ADC is better for jitter-sensitive, high-frequency applications because the board level clock jitter is superior.

Larger clock amplitude levels are recommended for high analog input frequencies or slow clock frequencies. At high analog input frequencies, the sampling process is sensitive to jitter. At slow clock frequencies, a small amplitude sinusoidal clock has a lower slew rate and can create jitter-related SNR degradation due to the uncertainty in the sampling point associated with a slow slew rate. Figure 34 demonstrates a recommended method for converting a single-ended clock source into a differential clock; it is similar to the configuration found on the evaluation board and was used for much of the characterization. See also *Clocking High Speed Data Converters (SLYT075)* for more details.

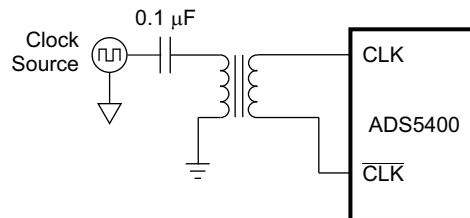
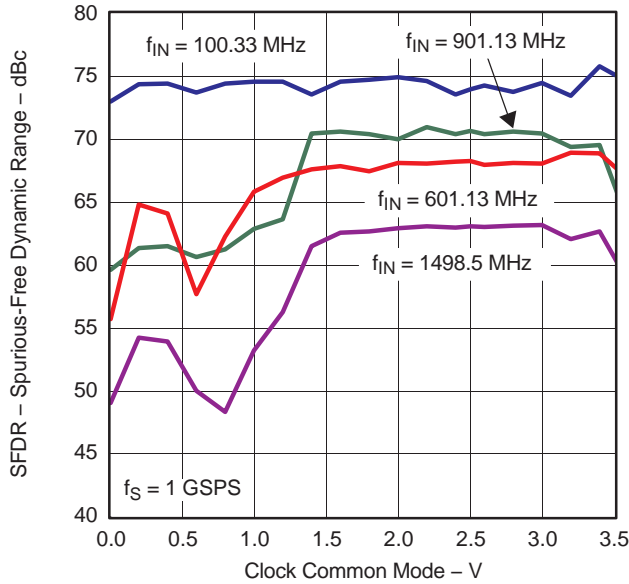


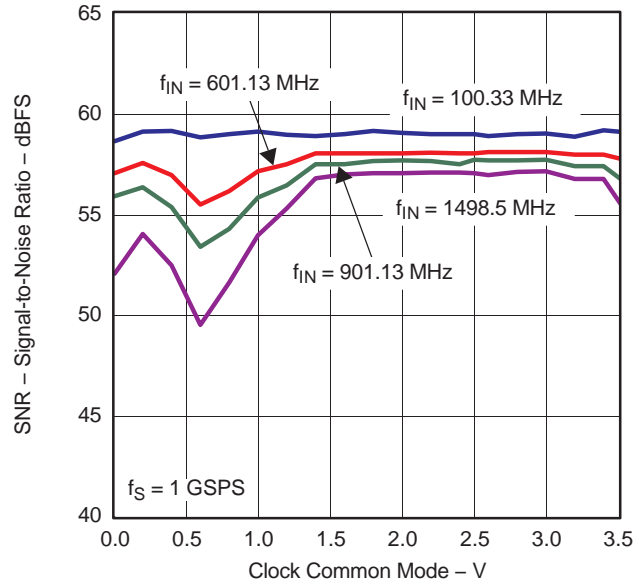
Figure 34. Differential Clock

The common-mode voltage of the clock inputs is set internally to 2.5 V using internal 400Ω resistors (see Figure 30). It is recommended to use ac coupling in the clock path, but if this scheme is not possible, the ADS5400 features good tolerance to clock common-mode variation, as shown in Figure 35 and Figure 36. The internal ADC core uses both edges of the clock for the conversion process. Ideally, a 50% duty-cycle clock signal should be provided.

www.ti.com 查询ADS5400"供应商



G016



G017

Figure 35. ADS5400 SFDR vs Clock Common Mode Figure 36. ADS5400 SNR vs Clock Common Mode

To understand how to determine the required clock jitter, an example is useful. The ADS5400 is capable of achieving 58.7 dBFS SNR at 850 MHz of analog input frequency. To achieve SNR at 850 MHz, the external clock source rms jitter must be at least 210fs when combined with the 125fs of internal aperture jitter in order for the total rms jitter to be 244fs. A summary of maximum recommended rms clock jitter as a function of analog input frequency is provided in Table 18 (using 125fs of internal aperture jitter). The equations used to create the table are also presented.

Table 18. Recommended RMS Clock Jitter

INPUT FREQUENCY (MHz)	MEASURED SNR (dBc)	TOTAL JITTER (fs rms)	MAXIMUM EXT CLOCK JITTER (fs rms)
125	58.1	1585	1580
600	57.8	318	342
850	57.7	244	210
1200	56.6	196	151
1700	54.7	172	119

Equation 1 and Equation 2 are used to estimate the required clock source jitter.

$$SNR (dBc) = -20 \times \text{LOG}_{10} (2 \times \pi \times f_{IN} \times j_{TOTAL}) \tag{1}$$

$$j_{TOTAL} = (j_{ADC}^2 + j_{CLOCK}^2)^{1/2} \tag{2}$$

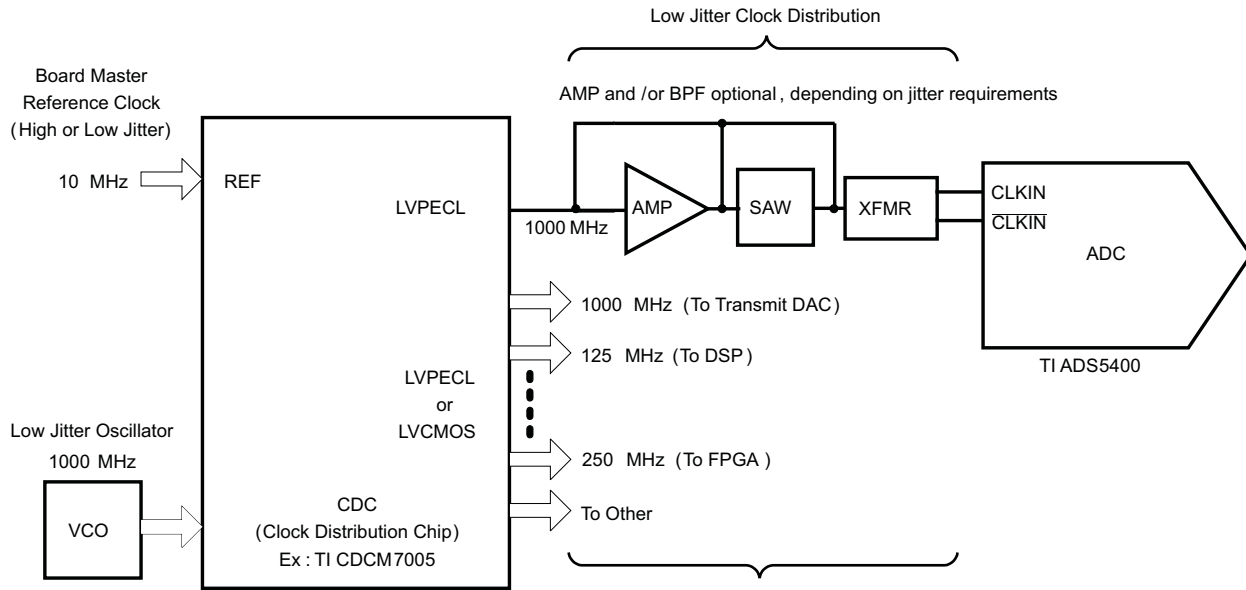
where:

- $j_{TOTAL}$  = the rms summation of the clock and ADC aperture jitter;
- $j_{ADC}$  = the ADC internal aperture jitter which is located in the data sheet;
- $j_{CLOCK}$  = the rms jitter of the clock at the clock input pins to the ADC; and
- $f_{IN}$  = the analog input frequency.

[查询ADS5400 快返商](#)

Notice that the SNR is a strong function of the analog input frequency, not the clock frequency. The slope of the clock source edges can have a mild impact on SNR as well and is not taken into account for these estimates. For this reason, maximizing clock source amplitudes at the ADC clock inputs is recommended, though not required (faster slope is desirable for jitter-related SNR). For more information on clocking high-speed ADCs, see Application Note [SLWA034](#), *Implementing a CDC7005 Low Jitter Clock Solution For High-Speed, High-IF ADC Devices*. Recommended clock distribution chips (CDCs) are the TI [CDC7005](#) and [CDCM7005](#). Depending on the jitter requirements, a band pass filter (BPF) is sometimes required between the CDC and the ADC. If the insertion loss of the BPF causes the clock amplitude to be too low for the ADC, or the clock source amplitude is too low to begin with, an inexpensive amplifier can be placed between the CDC and the BPF.

**Figure 37** represents a scenario where an LVPECL output is used from a TI CDCM7005 with the clock signal path optimized for maximum amplitude and minimum jitter. The jitter of this setup is difficult to estimate and requires a careful phase noise analysis of the clock path. The BPF (and possibly a low-cost amplifier because of insertion loss in the BPF) can improve the jitter between the CDC and ADC when the jitter provided by the CDC is still not adequate. The total jitter at the CDCM7005 output depends heavily on the phase noise of the VCXO selected. If it is determined that the jitter from the CDCM7005 with a VCXO is sufficient without further conditioning, it is possible to clock the ADS5400 directly from the CDCM7005 using differential LVPECL outputs (see the [CDCM7005 data sheet](#) for the exact schematic). A careful analysis of the required jitter and of the components involved is recommended before determining the proper approach.



This is a general block diagram example: Consult the datasheet of the CDCM7005 for proper schematic and for specifications regarding allowable input and output frequency and amplitude ranges.

**Figure 37. Clock Source Diagram**

## Digital Outputs

### Output Bus and Clock Options

The ADS5400 has two buses, A and B. Using register 0x02, a single or dual bus output can be selected. In single-bus mode, bus A is used at the full clock rate, while in two-bus mode, data is multiplexed at half the clock rate on A and B. While in single bus mode, CLKOUTA will be at frequency CLKIN/2 and a DDR interface is achieved. In two-bus mode, CLKOUTA/CLKOUTB can be either at frequency CLKIN/2 or CLKIN/4, providing options for an SDR or DDR interface. The ADC provides 12 LVDS-compatible data outputs (D11 to D0; D11 is the MSB and D0 is the LSB), a data-ready signal (CLKOUT), and an over-range indicator (OVR) on each bus. It is recommended to use the CLKOUT signal to capture the output data of the ADS5400. Both two's complement and offset binary are available output formats, in register 0x05.

The capacitive loading on the digital outputs should be minimized. Higher capacitance shortens the data-valid timing window. The values given for timing were obtained with an estimated 3.5-pF of differential parasitic board capacitance on each LVDS pair.

### Reset and Synchronization

Referencing the timing diagrams starting in [Figure 1](#), the polarity of CLKOUT with respect to the sample N data output transition is undetermined because of the unknown startup logic level of the clock divider that generates the CLKOUT signal, whether in frequency CLKIN/2 or CLKIN/4 mode. The polarity of CLKOUT could invert when power is cycled off/on. If a defined CLKOUT polarity is required, the RESET input pins are used to reset the clock divider to a known state after power on with a reset pulse. A RESET is not commonly required when using only one ADS5400 because a one sample uncertainty at startup is not usually a problem.

NOTE: initial samples capture RESET = HIGH on the rising edge of CLKINP. This is being corrected for final samples and will reflect the diagram as drawn, with RESET = HIGH captured on falling edge of CLKINP.

In addition to CLKOUT alignment using RESET, a synchronization mode is provided in register 0x05. In this mode, the OVR output becomes the SYNCOUT. The SYNCOUT will indicate which sample was present when the RESET input pulse was captured in a HIGH state. The OVR indicator is not available when sync mode is enabled. In single bus mode, only SYNCOUTA is used. In dual bus mode, only SYNCOUTB is used.

### LVDS

Differential source loads of 100Ω and 200Ω are provided internal to the ADS5400 and can be implemented using register 0x06 (as well as no internal load). Normal LVDS operation expects 3.5mA of current, but alternate values of 2.5, 4.5, and 5.5mA are provided to save power or improve the LVDS signal quality when the environment provides excessive loading.

### Over Range

The OVR output equals a logic high when the 12-bit output word attempts to exceed either all 0s or all 1s. This flag is provided as an indicator that the analog input signal exceeded the full-scale input limit set in register 0x00 and 0x01 (± gain error). The OVR indicator is provided for systems that use gain control to keep the analog input signal within acceptable limits. The OVR pins are not available when the synchronization mode is enabled, as they become the SYNCOUT indicator.

### Data Scramble

In normal operation, with this mode disabled, the MSBs have similar energy to the analog input fundamental frequency and can in some instances cause board interference. A data scramble mode is available in register 0x06. In this mode, bits 11-1 are XOR'd with bit 0 (the LSB). Because of the random nature of the LSB, this has the effect of randomizing the data pattern. To de-scramble, perform the opposite operation in the digital chip after receiving the scrambled data.

## Test Patterns

Determining the closure of timing or validating the digital interface can be difficult in normal operation. Therefore, test patterns are available in register 0x06. One pattern toggles the outputs between all 1s and all 0s. Another pattern generates a 7-bit PRBS (pseudo-random bit sequence).

In dual bus mode, the toggle mode could be in the same phase on bus A and B (bus A and B outputting 1s or 0s together), or could be out of phase (bus A outputting 1s while bus B outputs 0s). The start phase cannot be controlled.

The PRBS output sequence is a standard  $2^7-1$  pseudo-random sequence generated by a feedback shift register where the two last bits of the shift register are exclusive-OR'ed and fed back to the first bit of the shift register. The standard notation for the polynomial is  $x^7 + x^6 + 1$ . The PRBS generator is not reset, so there is no initial position in the sequence. The pattern may start at any position in the repeating 127-bit long pattern and the pattern repeats as long as the PRBS mode is enabled. The data pattern from the PRBS generator is used for all of the LVDS parallel outputs, so when the pattern is '1' then all of the LVDS outputs are outputting '1' and when the pattern is '0' then all of the LVDS drivers output '0'. To determine if the digital interface is operating properly with the PRBS sequence, the user must generate the same sequence in the receiving device, and do a shift-and-compare until a matching sequence is confirmed.

## Die Identification and Revision

A unique 64-bit die identifier code can be read from registers 0x17 through 0x1E. An 8-bit die revision code is available in register 0x1F.

## Die Temperature Sensor

In register 0x05, the die temperature sensor can be enabled. The sensor is power controlled independently of global powerdown, so that it and the SPI can be used to monitor the die temperature even when the remainder of the ADC is in sleep mode. Register 0x08 is used to read values which can be mapped to the die temperature. The exact mapping is detailed in the register map. Care should be taken not to exceed a maximum die temperature of 150°C for prolonged periods of time in order to maintain the life of the device.

## Interleaving

### Gain Adjustment

A signal gain adjustment is available in registers 0x00 and 0x01. The allowable fullscale range for the ADC is 1.52 - 2V<sub>PP</sub> and can be set with 12-bit adjustment resolution across this range. For equal up/down gain adjustment of the system and ADC gain mismatches, a nominal starting point of 1.75V<sub>PP</sub> could be programmed, in which case  $\pm 250$ mV of adjustment range would be provided.

### Offset Adjustment

Analog offset adjustment is available in register 0x03 and 0x04. This provides  $\pm 30$ mV of adjustment range with 9-bit adjustment resolution of 120 $\mu$ V per step. At production test, the default code for this register setting is set to a value that provides 0mV of ADC offset. For optimum spectral performance, it is not recommended to use more than  $\pm 8$ mV adjustment from the default setting

### Input Clock Coarse Phase Adjustment

Coarse adjustment is available in register 0x02. The typical range is approximately 73 ps with a resolution of 2.4ps.

### Input Clock Fine Phase Adjustment

Fine adjustment is available in register 0x03. The typical range is approximately 7.4 ps with a resolution of 116fs.

## Power Supplies

The ADS5400 uses three power supplies. For the analog portion of the design, a 5-V and 3.3-V supply (AVDD5 and AVDD3) are used, while the digital portion uses a 3.3-V supply (DVDD3). The use of low-noise power supplies with adequate decoupling is recommended. Linear supplies are preferred to switched supplies; switched supplies generate more noise components that can be coupled to the ADS5400. The PSRR value and the plot shown in Figure 38 were obtained without bulk supply decoupling capacitors. When bulk (0.1  $\mu$ F) decoupling capacitors are used, the board-level PSRR is much higher than the stated value for the ADC. The power consumption of the ADS5400 does not change substantially over clock rate or input frequency as a result of the architecture and process.

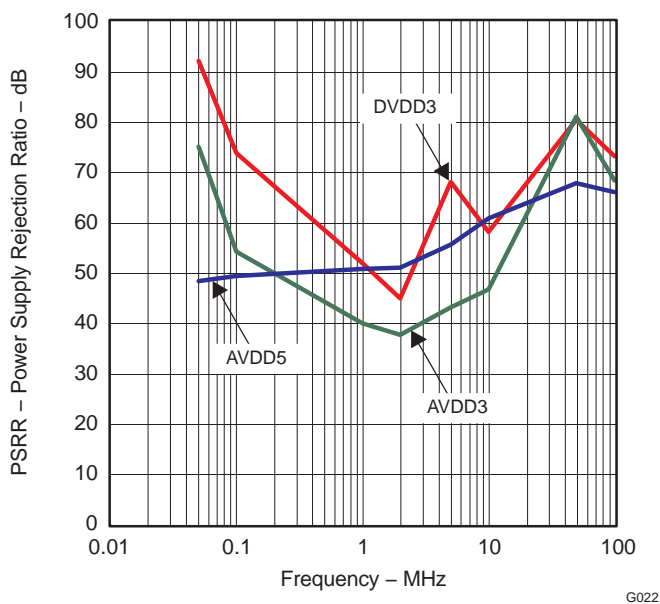


Figure 38. PSRR versus Supply Injected Frequency

## Layout Information

The evaluation board provides a guideline of how to lay out the board to obtain the maximum performance from the ADS5400. General design rules, such as the use of multilayer boards, single ground plane for ADC ground connections, and local decoupling ceramic chip capacitors, should be applied. The input traces should be isolated from any external source of interference or noise, including the digital outputs as well as the clock traces. The clock signal traces should also be isolated from other signals, especially in applications where low jitter is required like high IF sampling. Besides performance-oriented rules, care must be taken when considering the heat dissipation of the device. The thermal heat sink should be soldered to the board as described in the [PowerPad Package](#) section. See *ADS5400 EVM User Guide (SLAU293)* on the TI Web site for the evaluation board schematic.

## PowerPAD™ Package

The PowerPAD package is a thermally enhanced standard-size IC package designed to eliminate the use of bulky heatsinks and slugs traditionally used in thermal packages. This package can be mounted using standard printed circuit board (PCB) assembly techniques, and can be removed or replaced using standard repair procedures.

The PowerPAD package is designed so that the leadframe die pad (or thermal pad) is exposed on the bottom of the IC. This provides an extremely low thermal resistance path between the die and the exterior of the package. The thermal pad on the bottom of the IC can then be soldered directly to the printed circuit board (PCB), using the PCB as a heatsink.

## Assembly Process

1. Prepare the PCB top-side etch pattern including etch for the leads as well as the thermal pad as illustrated in the Mechanical Data section.
2. It is recommended to place a 9 x 9 array of 13-mil-diameter (0.33mm) via holes under the package, with the middle 5 x 5 array of thermal vias exposed.
3. Connect all holes (both those inside and outside the thermal pad area) to an internal copper plane (such as a ground plane).
4. Do not use the typical web or spoke via-connection pattern when connecting the thermal vias to the ground plane. The spoke pattern increases the thermal resistance to the ground plane.
5. The top-side solder mask should leave exposed the terminals of the package and the 5 x 5 via array thermal pad area (6 mm x 6 mm).
6. Cover the entire bottom side of the PowerPAD vias to prevent solder wicking.
7. Apply solder paste to the exposed thermal pad area and all of the package terminals.

For more detailed information regarding the PowerPAD package and its thermal properties, see either the *PowerPAD Made Easy* application brief ([SLMA004](#)) or the *PowerPAD Thermally Enhanced Package* application report ([SLMA002](#)).



## DEFINITION OF SPECIFICATIONS

### Analog Bandwidth

The analog input frequency at which the power of the fundamental is reduced by 3 dB with respect to the low-frequency value

### Aperture Delay

The delay in time between the rising edge of the input sampling clock and the actual time at which the sampling occurs

### Aperture Uncertainty (Jitter)

The sample-to-sample variation in aperture delay

### Clock Pulse Duration/Duty Cycle

The duty cycle of a clock signal is the ratio of the time the clock signal remains at a logic high (clock pulse duration) to the period of the clock signal, expressed as a percentage.

### Differential Nonlinearity (DNL)

An ideal ADC exhibits code transitions at analog input values spaced exactly 1 LSB apart. DNL is the deviation of any single step from this ideal value, measured in units of LSB.

### Common-Mode Rejection Ratio (CMRR)

CMRR measures the ability to reject signals that are presented to both analog inputs simultaneously. The injected common-mode frequency level is translated into dBFS, the spur in the output FFT is measured in dBFS, and the difference is the CMRR in dB.

### Effective Number of Bits (ENOB)

ENOB is a measure in units of bits of a converter's performance as compared to the theoretical limit based on quantization noise

$$\text{ENOB} = (\text{SINAD} - 1.76)/6.02 \quad (3)$$

### Gain Error

Gain error is the deviation of the ADC actual input full-scale range from its ideal value, given as a percentage of the ideal input full-scale range.

### Integral Nonlinearity (INL)

INL is the deviation of the ADC transfer function from a best-fit line determined by a least-squares curve fit of that transfer function. The INL at each analog input value is the difference between the actual transfer function and this best-fit line, measured in units of LSB.

### Offset Error

Offset error is the deviation of output code from mid-code when both inputs are tied to common-mode.

### Power-Supply Rejection Ratio (PSRR)

PSRR is a measure of the ability to reject frequencies present on the power supply. The injected frequency level is translated into dBFS, the spur in the output FFT is measured in dBFS, and the difference is the PSRR in dB. The measurement calibrates out the benefit of the board supply decoupling capacitors.

### Signal-to-Noise Ratio (SNR)

SNR is the ratio of the power of the fundamental ( $P_S$ ) to the noise floor power ( $P_N$ ), excluding the power at dc and in the first five harmonics.

$$\text{SNR} = 10 \log_{10} \frac{P_S}{P_N} \quad (4)$$

SNR is either given in units of dBc (dB to carrier) when the absolute power of the fundamental is used as the reference, or dBFS (dB to full scale) when the power of the fundamental is extrapolated to the converter's full-scale range.

[查询 ADS5400 快速指南](#)

**Signal-to-Noise and Distortion (SINAD)**

SINAD is the ratio of the power of the fundamental ( $P_S$ ) to the power of all the other spectral components including noise ( $P_N$ ) and distortion ( $P_D$ ), but excluding dc.

$$SINAD = 10\log_{10} \frac{P_S}{P_N + P_D} \tag{5}$$

SINAD is either given in units of dBc (dB to carrier) when the absolute power of the fundamental is used as the reference, or dBFS (dB to full scale) when the power of the fundamental is extrapolated to the converter's full-scale range.

**Temperature Drift**

Temperature drift (with respect to gain error and offset error) specifies the change from the value at the nominal temperature to the value at  $T_{MIN}$  or  $T_{MAX}$ . It is computed as the maximum variation the parameters over the whole temperature range divided by  $T_{MIN} - T_{MAX}$ .

**Total Harmonic Distortion (THD)**

THD is the ratio of the power of the fundamental ( $P_S$ ) to the power of the first five harmonics ( $P_D$ ).

$$THD = 10\log_{10} \frac{P_S}{P_D} \tag{6}$$

THD is typically given in units of dBc (dB to carrier).

**Two-Tone Intermodulation Distortion (IMD3)**

IMD3 is the ratio of the power of the fundamental (at frequencies  $f_1, f_2$ ) to the power of the worst spectral component at either frequency  $2f_1 - f_2$  or  $2f_2 - f_1$ . IMD3 is given in units of either dBc (dB to carrier) when the absolute power of the fundamental is used as the reference, or dBFS (dB to full scale) when the power of the fundamental is extrapolated to the converter's full-scale range.

**REVISION HISTORY**

Changes from Original (October 2009) to Revision A	Page
• Changed the FEATURES list .....	1
• Changed Abs Max, Recommended Op Conditions, and Electrical Specs values. ....	2
• Changed the description of the ANALOG INPUT entry in the Rec Op Condition table From: Differential input range To: Full-scale differential input range .....	3
• Changed the Rec Op table, $V_{CM}$ - TYP value From: 2.5V To AVDD5/2 .....	3
• Changed the description of the ANALOG INPUT entry in the Elect Char table From: Differential input range To: Full-scale differential input range .....	3
• Changed the Elect Char table, $V_{CM}$ - TYP value From: 2.5V To AVDD5/2 .....	3
• Changed the Timing Diagrams illustrations .....	9
• Changed <a href="#">Figure 1</a> .....	9
• Changed <a href="#">Figure 2</a> .....	10
• Changed <a href="#">Figure 3</a> .....	11
• Changed <a href="#">Figure 4</a> .....	12
• Changed <a href="#">Figure 5</a> .....	13
• Deleted text "Internal pull-down resistor" from the SCLK, SDIO, and SDO pins in the Pin Functions table .....	15
• Changed the SDENB pin text From: "Internal pull-up resistor" To: "Internal 100kΩ pull-up resistor" in the Pin Functions table .....	15
• Added Note to the Pin Functions table - This pin contains an internal ~40kΩ pull-down resistor, to ground. ....	15
• Changed <a href="#">Table 8</a> BIT <7:3>, Title and description .....	20
• Changed <a href="#">Table 9</a> BIT <0>, Default setting description, and BIT <7:2> description .....	20
• Changed <a href="#">Table 10</a> BIT <0>, Default setting description .....	21

• Changed Serial Register 0x06 (Read or Write) (Table 12). Bits 4 and 5 From TBD To: 0 .....	22
• Deleted Table 12 description comment from BIT <7:6> 11: (this mode is not working properly on early samples - will be fixed) .....	22
• Changed the TYPICAL CHARACTERISTICS, Conditions Note From: DVDD3 = 3.3 V, and 3.3-V <sub>PP</sub> differential clock To: DVDD = 3.3V and 1.5 V <sub>PP</sub> differential clock .....	25
• Added subsection - Analog Input Over-Range Recovery Error .....	32
• Changed the Clock Inputs subsection .....	33
• Changed the Test Patterns subsection .....	38
• Changed the Interleaving subsection .....	38
• Changed the Power Supplies subsection .....	39
• Added Figure 38 - Was TBD .....	39

**Changes from Revision A (November 2009) to Revision B**
**Page**

• Changed Data sheet From: Product Preview To: Production .....	1
• Changed INL - Integral non- linearity error Max value From: 4 To: 4.5 .....	3
• Changed Worst harmonic/spur (other than HD2 and HD3), $f_{IN} = 1200$ MHz TYP value From: 70 To 66 .....	5
• Changed Worst harmonic/spur (other than HD2 and HD3), $f_{IN} = 1700$ MHz TYP value From: 66 To 64 .....	5
• Changed Total Harmonic Distortion, $f_{IN} = 125$ MHz TYP value From: 73.5 To 71.7 .....	5
• Changed Total Harmonic Distortion, $f_{IN} = 600$ MHz TYP value From: 68.5 To 67 .....	5
• Changed Total Harmonic Distortion, $f_{IN} = 850$ MHz TYP value From: 68.5 To 66.5 .....	5
• Changed Total Harmonic Distortion, $f_{IN} = 1700$ MHz TYP value From: 56.2 To 55.7 .....	5
• Changed Signal-to-noise and distortion, $f_{IN} = 125$ MHz TYP value From: 58 To 58.5 .....	5
• Changed Signal-to-noise and distortion, $f_{IN} = 600$ MHz TYP value From: 57.4 To 58.2 .....	5
• Changed Signal-to-noise and distortion, $f_{IN} = 850$ MHz TYP value From: 57.3 To 57.8 .....	5
• Changed Signal-to-noise and distortion, $f_{IN} = 1200$ MHz TYP value From: 57.2 To 57.5 .....	5
• Changed Signal-to-noise and distortion, $f_{IN} = 1700$ MHz TYP value From: 54 To 54.2 .....	5
• Changed Effective number of bits (using SINAD in dBFS), $f_{IN} = 125$ MHz TYP value From: 9.34 To 9.42 .....	5
• Changed Effective number of bits (using SINAD in dBFS), $f_{IN} = 600$ MHz TYP value From: 9.24 To 9.37 .....	5
• Changed Effective number of bits (using SINAD in dBFS), $f_{IN} = 850$ MHz TYP value From: 9.23 To 9.3 .....	5
• Changed INPUT CLOCK COARSE PHASE ADJUSTMENT, Integral Non-Linearity error Max value From: 4 To 5 .....	8
• Changed Table 7, BIT 4 From: 1 To: 0 .....	19
• Deleted note: (was not available on early samples) from SPI Register Reset in Table 7 .....	19

**PACKAGING INFORMATION**

Orderable Device	Status <sup>(1)</sup>	Package Type	Package Drawing	Pins	Package Qty	Eco Plan <sup>(2)</sup>	Lead/Ball Finish	MSL Peak Temp <sup>(3)</sup>
ADS5400IPZP	ACTIVE	HTQFP	PZP	100	90	Green (RoHS & no Sb/Br)	CU NIPDAU	Level-3-260C-168 HR
ADS5400IPZPR	ACTIVE	HTQFP	PZP	100	1000	Green (RoHS & no Sb/Br)	CU NIPDAU	Level-3-260C-168 HR

<sup>(1)</sup> The marketing status values are defined as follows:

**ACTIVE:** Product device recommended for new designs.

**LIFEBUY:** TI has announced that the device will be discontinued, and a lifetime-buy period is in effect.

**NRND:** Not recommended for new designs. Device is in production to support existing customers, but TI does not recommend using this part in a new design.

**PREVIEW:** Device has been announced but is not in production. Samples may or may not be available.

**OBsolete:** TI has discontinued the production of the device.

<sup>(2)</sup> Eco Plan - The planned eco-friendly classification: Pb-Free (RoHS), Pb-Free (RoHS Exempt), or Green (RoHS & no Sb/Br) - please check <http://www.ti.com/productcontent> for the latest availability information and additional product content details.

**TBD:** The Pb-Free/Green conversion plan has not been defined.

**Pb-Free (RoHS):** TI's terms "Lead-Free" or "Pb-Free" mean semiconductor products that are compatible with the current RoHS requirements for all 6 substances, including the requirement that lead not exceed 0.1% by weight in homogeneous materials. Where designed to be soldered at high temperatures, TI Pb-Free products are suitable for use in specified lead-free processes.

**Pb-Free (RoHS Exempt):** This component has a RoHS exemption for either 1) lead-based flip-chip solder bumps used between the die and package, or 2) lead-based die adhesive used between the die and leadframe. The component is otherwise considered Pb-Free (RoHS compatible) as defined above.

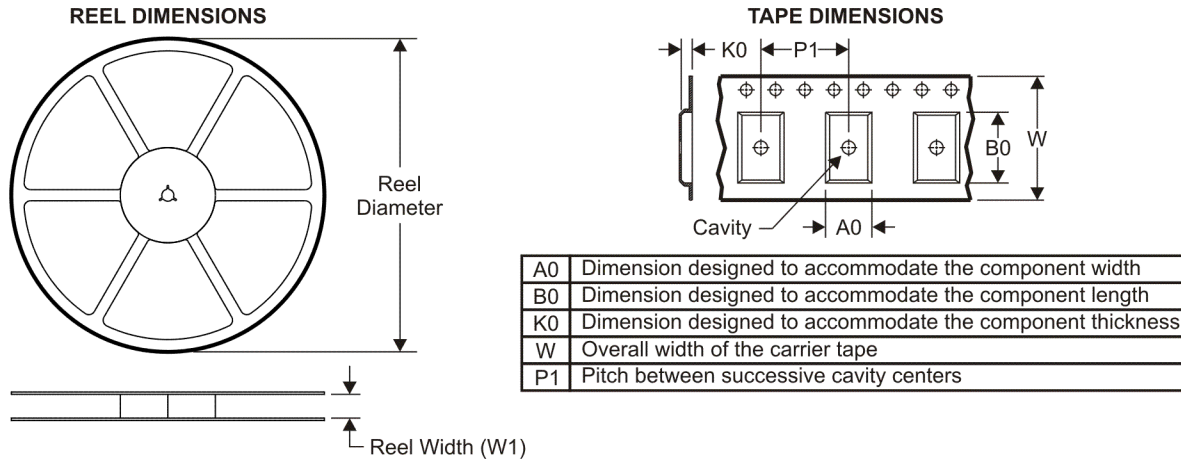
**Green (RoHS & no Sb/Br):** TI defines "Green" to mean Pb-Free (RoHS compatible), and free of Bromine (Br) and Antimony (Sb) based flame retardants (Br or Sb do not exceed 0.1% by weight in homogeneous material)

<sup>(3)</sup> MSL, Peak Temp. -- The Moisture Sensitivity Level rating according to the JEDEC industry standard classifications, and peak solder temperature.

**Important Information and Disclaimer:** The information provided on this page represents TI's knowledge and belief as of the date that it is provided. TI bases its knowledge and belief on information provided by third parties, and makes no representation or warranty as to the accuracy of such information. Efforts are underway to better integrate information from third parties. TI has taken and continues to take reasonable steps to provide representative and accurate information but may not have conducted destructive testing or chemical analysis on incoming materials and chemicals. TI and TI suppliers consider certain information to be proprietary, and thus CAS numbers and other limited information may not be available for release.

In no event shall TI's liability arising out of such information exceed the total purchase price of the TI part(s) at issue in this document sold by TI to Customer on an annual basis.

TAPE AND REEL INFORMATION



QUADRANT ASSIGNMENTS FOR PIN 1 ORIENTATION IN TAPE



\*All dimensions are nominal

Device	Package Type	Package Drawing	Pins	SPQ	Reel Diameter (mm)	Reel Width W1 (mm)	A0 (mm)	B0 (mm)	K0 (mm)	P1 (mm)	W (mm)	Pin1 Quadrant
ADS5400IPZPR	HTQFP	PZP	100	1000	330.0	24.4	16.6	16.6	2.0	20.0	24.0	Q2

**TAPE AND REEL BOX DIMENSIONS**

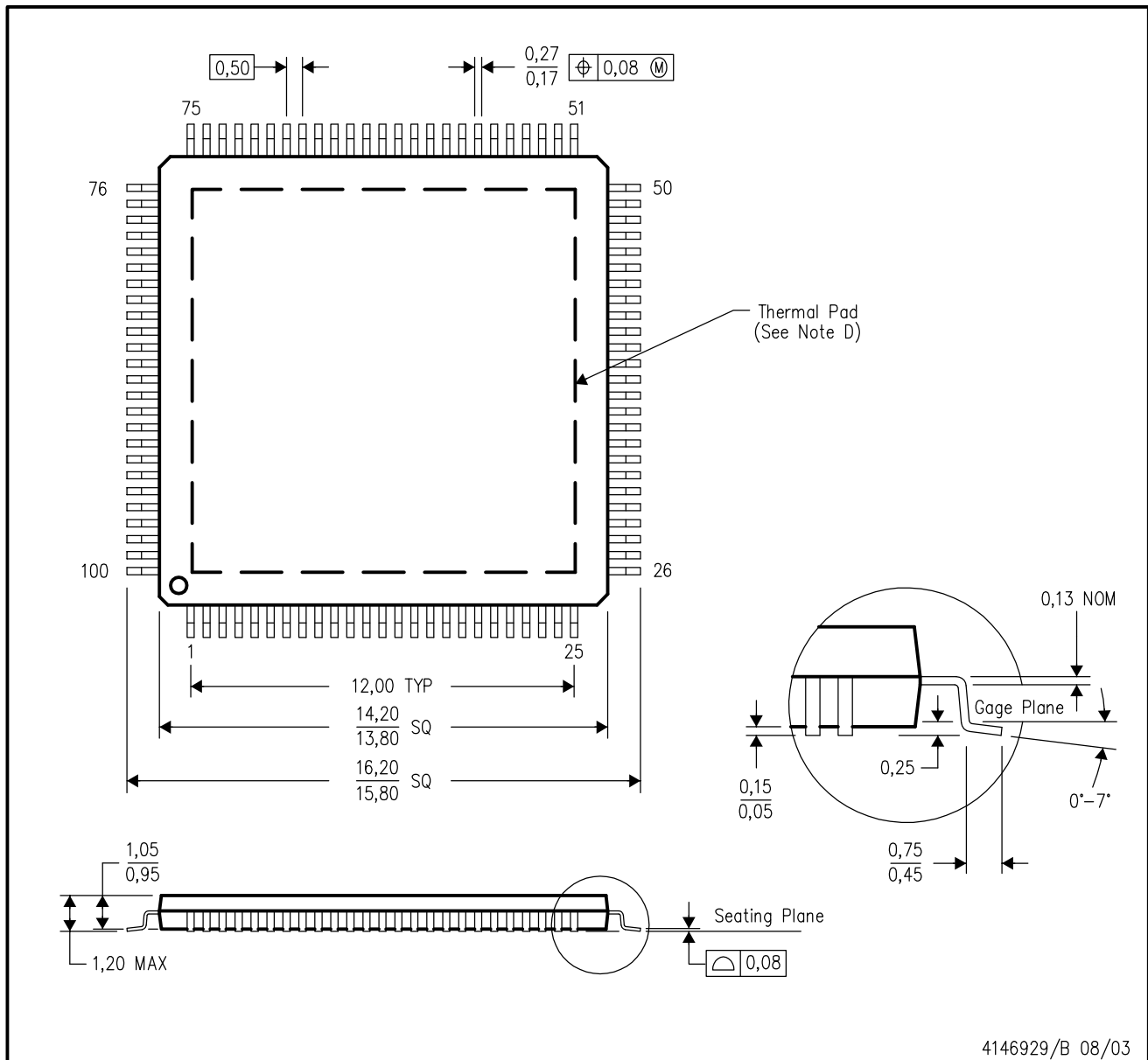


\*All dimensions are nominal

Device	Package Type	Package Drawing	Pins	SPQ	Length (mm)	Width (mm)	Height (mm)
ADS5400IPZPR	HTQFP	PZP	100	1000	346.0	346.0	41.0

PZP (S-PQFP-G100)

PowerPAD™ PLASTIC QUAD FLATPACK



- NOTES:
- A. All linear dimensions are in millimeters.
  - B. This drawing is subject to change without notice.
  - C. Body dimensions do not include mold flash or protrusion
  - D. This package is designed to be soldered to a thermal pad on the board. Refer to Technical Brief, PowerPad Thermally Enhanced Package, Texas Instruments Literature No. SLMA002 for information regarding recommended board layout. This document is available at [www.ti.com](http://www.ti.com) <<http://www.ti.com>>.
  - E. Falls within JEDEC MS-026

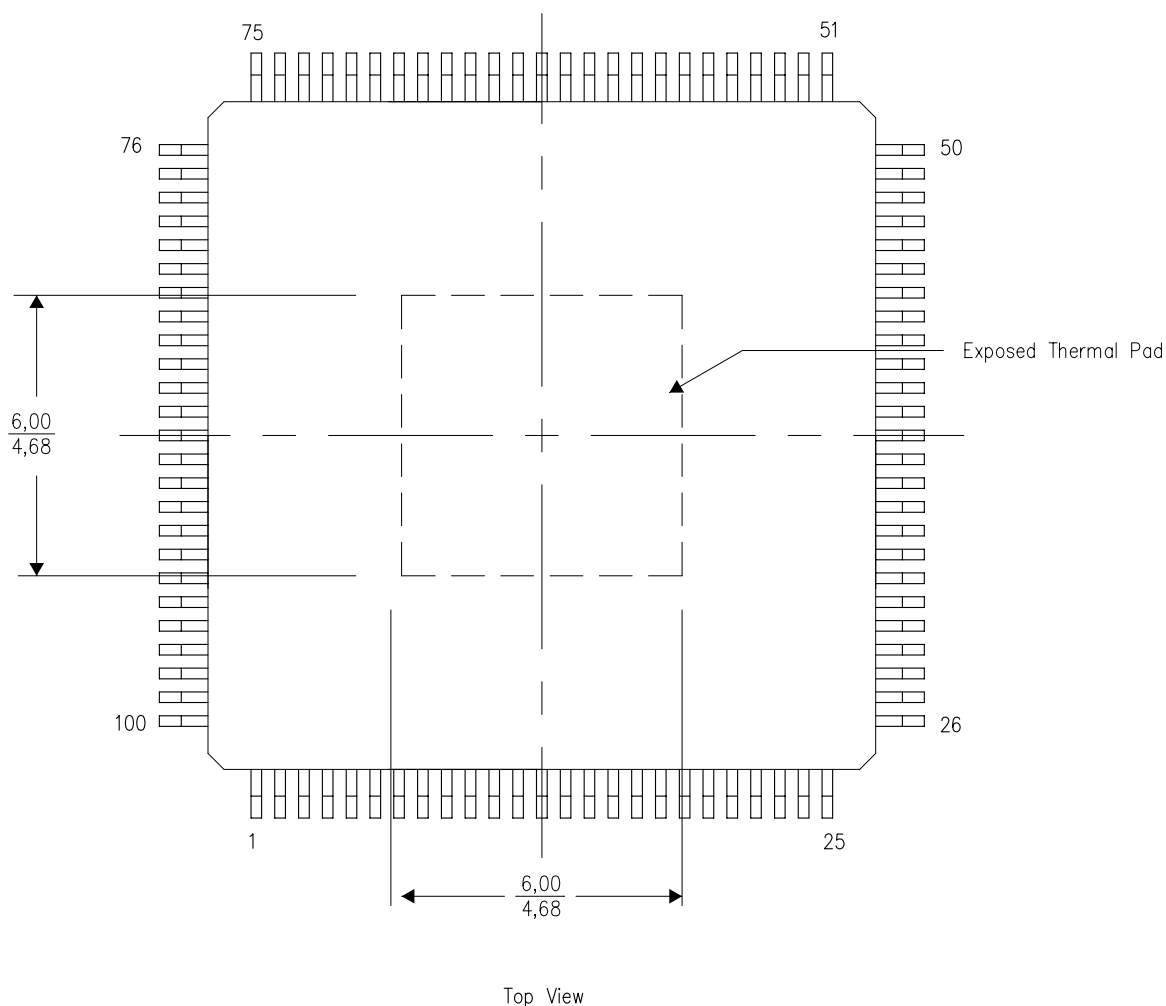
PowerPAD is a trademark of Texas Instruments.

**THERMAL INFORMATION**

This PowerPAD™ package incorporates an exposed thermal pad that is designed to be attached to a printed circuit board (PCB). The thermal pad must be soldered directly to the PCB. After soldering, the PCB can be used as a heatsink. In addition, through the use of thermal vias, the thermal pad can be attached directly to the appropriate copper plane shown in the electrical schematic for the device, or alternatively, can be attached to a special heatsink structure designed into the PCB. This design optimizes the heat transfer from the integrated circuit (IC).

For additional information on the PowerPAD package and how to take advantage of its heat dissipating abilities, refer to Technical Brief, PowerPAD Thermally Enhanced Package, Texas Instruments Literature No. SLMA002 and Application Brief, PowerPAD Made Easy, Texas Instruments Literature No. SLMA004. Both documents are available at [www.ti.com](http://www.ti.com).

The exposed thermal pad dimensions for this package are shown in the following illustration.



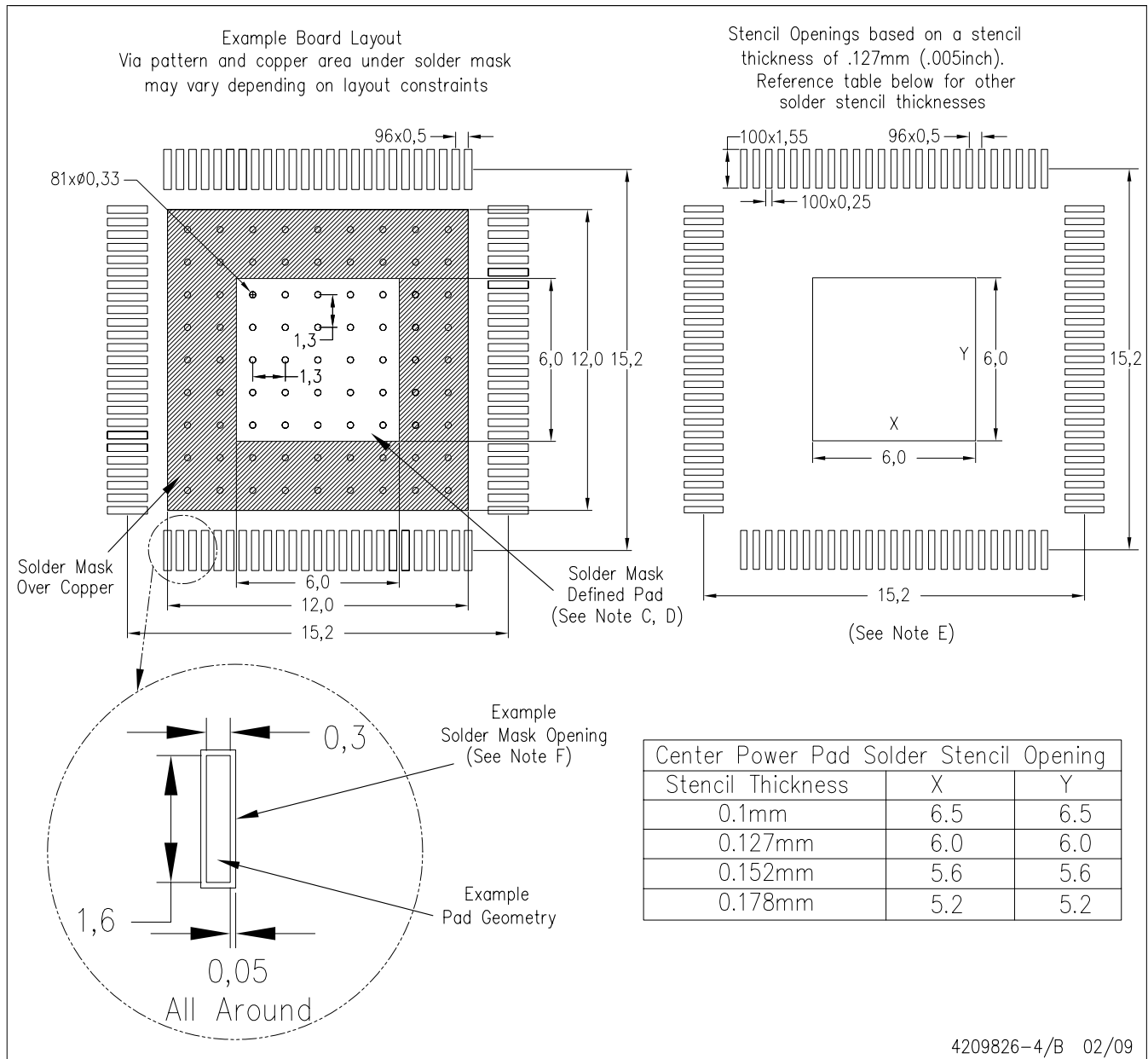
NOTE: All linear dimensions are in millimeters

Exposed Thermal Pad Dimensions



[查询"ADS5400"供应商](#)

PZP (S-PQFP-G100) PowerPAD™



- NOTES:
- A. All linear dimensions are in millimeters.
  - B. This drawing is subject to change without notice.
  - C. Customers should place a note on the circuit board fabrication drawing not to alter the center solder mask defined pad.
  - D. This package is designed to be soldered to a thermal pad on the board. Refer to Technical Brief, PowerPAD Thermally Enhanced Package, Texas Instruments Literature No. SLMA002, SLMA004, and also the Product Data Sheets for specific thermal information, via requirements, and recommended board layout. These documents are available at [www.ti.com](http://www.ti.com) <<http://www.ti.com>>. Publication IPC-7351 is recommended for alternate designs.
  - E. Laser cutting apertures with trapezoidal walls and also rounding corners will offer better paste release. Customers should contact their board assembly site for stencil design recommendations. Example stencil design based on a 50% volumetric metal load solder paste. Refer to IPC-7525 for other stencil recommendations.
  - F. Customers should contact their board fabrication site for solder mask tolerances between and around signal pads.

PowerPAD is a trademark of Texas Instruments.

## IMPORTANT NOTICE

Texas Instruments Incorporated and its subsidiaries (TI) reserve the right to make corrections, modifications, enhancements, improvements, and other changes to its products and services at any time and to discontinue any product or service without notice. Customers should obtain the latest relevant information before placing orders and should verify that such information is current and complete. All products are sold subject to TI's terms and conditions of sale supplied at the time of order acknowledgment.

TI warrants performance of its hardware products to the specifications applicable at the time of sale in accordance with TI's standard warranty. Testing and other quality control techniques are used to the extent TI deems necessary to support this warranty. Except where mandated by government requirements, testing of all parameters of each product is not necessarily performed.

TI assumes no liability for applications assistance or customer product design. Customers are responsible for their products and applications using TI components. To minimize the risks associated with customer products and applications, customers should provide adequate design and operating safeguards.

TI does not warrant or represent that any license, either express or implied, is granted under any TI patent right, copyright, mask work right, or other TI intellectual property right relating to any combination, machine, or process in which TI products or services are used. Information published by TI regarding third-party products or services does not constitute a license from TI to use such products or services or a warranty or endorsement thereof. Use of such information may require a license from a third party under the patents or other intellectual property of the third party, or a license from TI under the patents or other intellectual property of TI.

Reproduction of TI information in TI data books or data sheets is permissible only if reproduction is without alteration and is accompanied by all associated warranties, conditions, limitations, and notices. Reproduction of this information with alteration is an unfair and deceptive business practice. TI is not responsible or liable for such altered documentation. Information of third parties may be subject to additional restrictions.

Resale of TI products or services with statements different from or beyond the parameters stated by TI for that product or service voids all express and any implied warranties for the associated TI product or service and is an unfair and deceptive business practice. TI is not responsible or liable for any such statements.

TI products are not authorized for use in safety-critical applications (such as life support) where a failure of the TI product would reasonably be expected to cause severe personal injury or death, unless officers of the parties have executed an agreement specifically governing such use. Buyers represent that they have all necessary expertise in the safety and regulatory ramifications of their applications, and acknowledge and agree that they are solely responsible for all legal, regulatory and safety-related requirements concerning their products and any use of TI products in such safety-critical applications, notwithstanding any applications-related information or support that may be provided by TI. Further, Buyers must fully indemnify TI and its representatives against any damages arising out of the use of TI products in such safety-critical applications.

TI products are neither designed nor intended for use in military/aerospace applications or environments unless the TI products are specifically designated by TI as military-grade or "enhanced plastic." Only products designated by TI as military-grade meet military specifications. Buyers acknowledge and agree that any such use of TI products which TI has not designated as military-grade is solely at the Buyer's risk, and that they are solely responsible for compliance with all legal and regulatory requirements in connection with such use.

TI products are neither designed nor intended for use in automotive applications or environments unless the specific TI products are designated by TI as compliant with ISO/TS 16949 requirements. Buyers acknowledge and agree that, if they use any non-designated products in automotive applications, TI will not be responsible for any failure to meet such requirements.

Following are URLs where you can obtain information on other Texas Instruments products and application solutions:

<b>Products</b>		<b>Applications</b>	
Amplifiers	<a href="http://amplifier.ti.com">amplifier.ti.com</a>	Audio	<a href="http://www.ti.com/audio">www.ti.com/audio</a>
Data Converters	<a href="http://dataconverter.ti.com">dataconverter.ti.com</a>	Automotive	<a href="http://www.ti.com/automotive">www.ti.com/automotive</a>
DLP® Products	<a href="http://www.dlp.com">www.dlp.com</a>	Communications and Telecom	<a href="http://www.ti.com/communications">www.ti.com/communications</a>
DSP	<a href="http://dsp.ti.com">dsp.ti.com</a>	Computers and Peripherals	<a href="http://www.ti.com/computers">www.ti.com/computers</a>
Clocks and Timers	<a href="http://www.ti.com/clocks">www.ti.com/clocks</a>	Consumer Electronics	<a href="http://www.ti.com/consumer-apps">www.ti.com/consumer-apps</a>
Interface	<a href="http://interface.ti.com">interface.ti.com</a>	Energy	<a href="http://www.ti.com/energy">www.ti.com/energy</a>
Logic	<a href="http://logic.ti.com">logic.ti.com</a>	Industrial	<a href="http://www.ti.com/industrial">www.ti.com/industrial</a>
Power Mgmt	<a href="http://power.ti.com">power.ti.com</a>	Medical	<a href="http://www.ti.com/medical">www.ti.com/medical</a>
Microcontrollers	<a href="http://microcontroller.ti.com">microcontroller.ti.com</a>	Security	<a href="http://www.ti.com/security">www.ti.com/security</a>
RFID	<a href="http://www.ti-rfid.com">www.ti-rfid.com</a>	Space, Avionics & Defense	<a href="http://www.ti.com/space-avionics-defense">www.ti.com/space-avionics-defense</a>
RF/IF and ZigBee® Solutions	<a href="http://www.ti.com/lprf">www.ti.com/lprf</a>	Video and Imaging	<a href="http://www.ti.com/video">www.ti.com/video</a>
		Wireless	<a href="http://www.ti.com/wireless-apps">www.ti.com/wireless-apps</a>